

**ECOSYS PA2100cx**  
**ECOSYS PA2100cwx**  
**ECOSYS MA2100cfx**  
**ECOSYS MA2100cwx**

## **Toner Container Replacement**



## **Toner Container Replacement**

When toner is empty, the following message will be displayed.

"Replace [C][M][Y][K] toner."

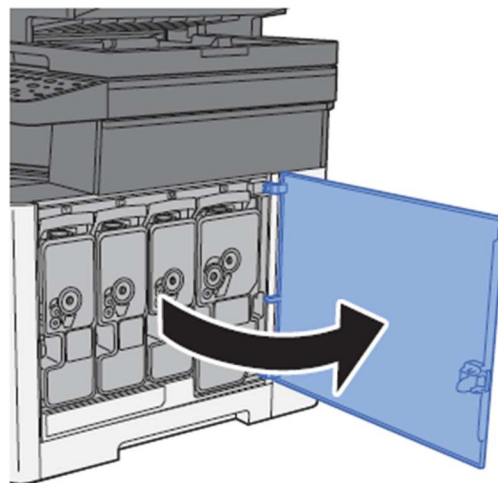
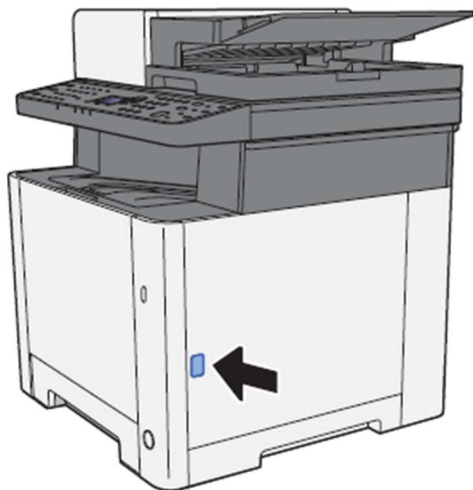
When toner runs low, the following message will be displayed. Make sure you have a new toner container available for replacement.

"Toner is low. (Replace when empty.)"

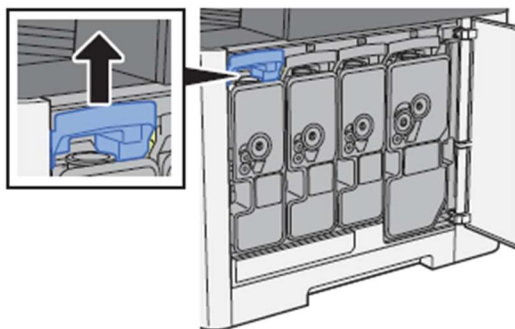
### **CAUTION**

Do not attempt to incinerate parts which contain toner. Dangerous sparks may cause burns.

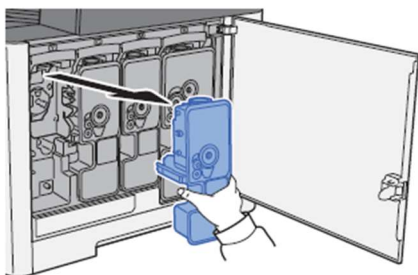
**1 Open the right cover.**



**2 Unlock the toner container.**



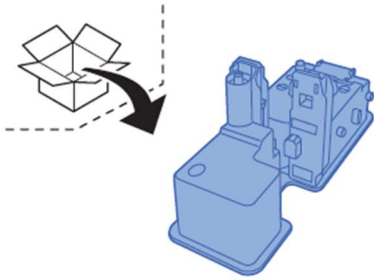
**3 Remove the toner container.**



**4 Put used toner containers into the plastic waste bag.**

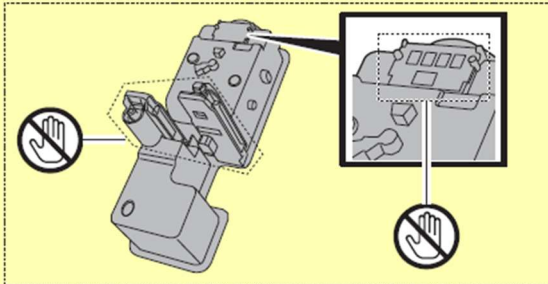


**5 Remove the new toner container from the box.**

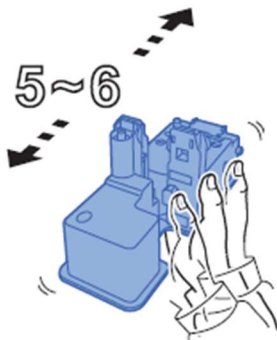


**Ⓢ IMPORTANT**

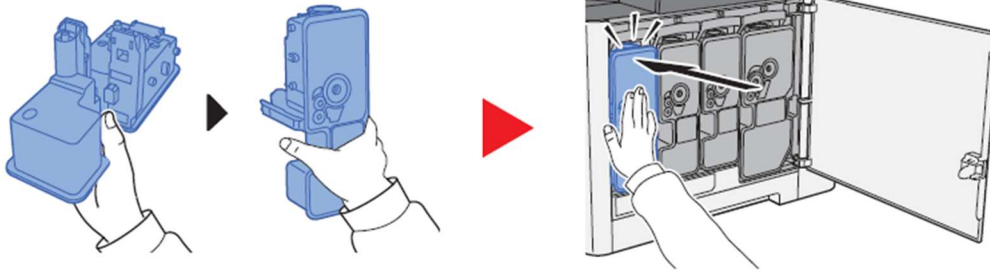
Do not touch the points shown below.



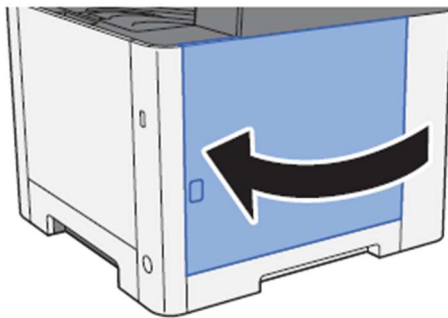
**6 Shake the toner container.**



## 7 Install the toner container.



## 8 Close the right cover.



### NOTE

- If the right cover does not close, check that the new toner container is installed correctly.
- Return the exhausted toner container to your dealer or service representative. The collected toner container will be recycled or disposed in accordance with the relevant regulations.