

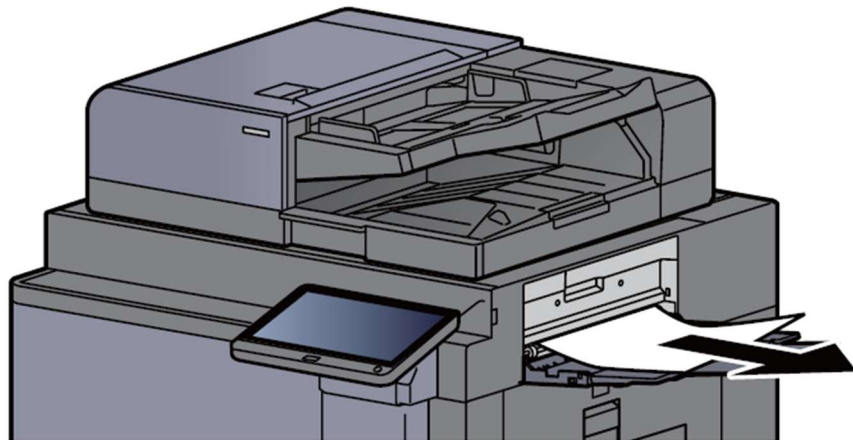
# Clearing Paper Jams

## Remove any jammed paper in the Right Tray

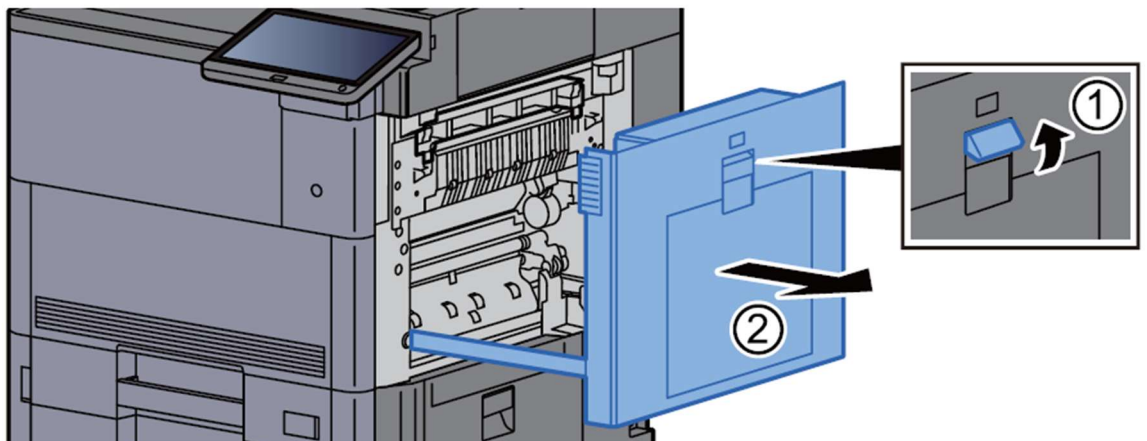
### CAUTION

- Do not reuse jammed papers.
- If the paper tears during removal, be sure to remove any loose scraps of paper from inside the machine. Scraps of paper left in the machine could cause subsequent jamming.

### 1 Remove any jammed paper.



### 2 Open Right Cover 1.



**3** Return the cover to the original position.

