

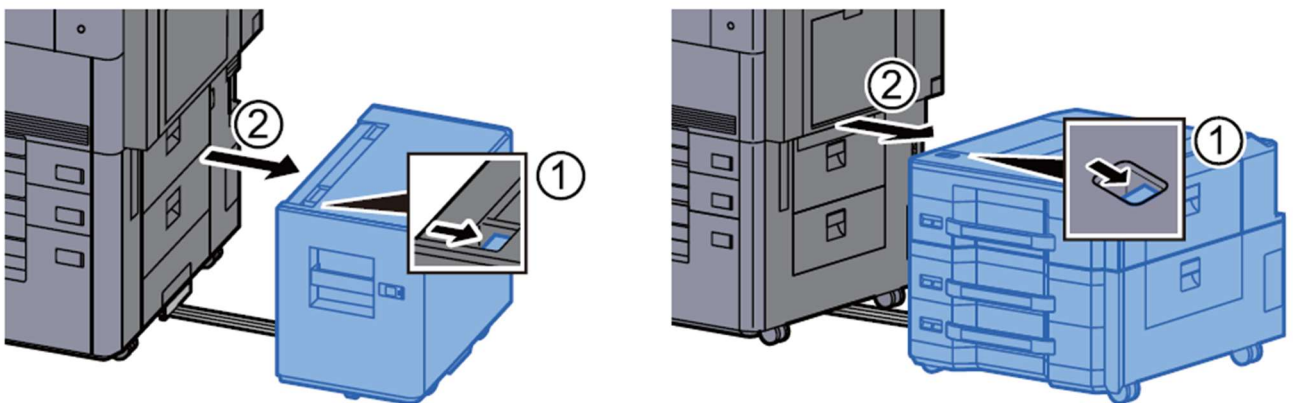
Clearing Paper Jams

Remove any jammed paper in Cassette 4

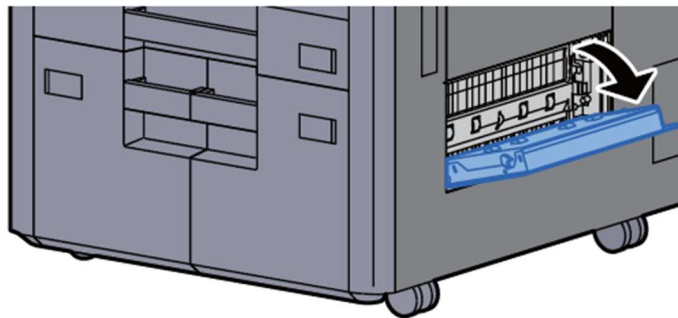
CAUTION

- Do not reuse jammed papers.
- If the paper tears during removal, be sure to remove any loose scraps of paper from inside the machine. Scraps of paper left in the machine could cause subsequent jamming.

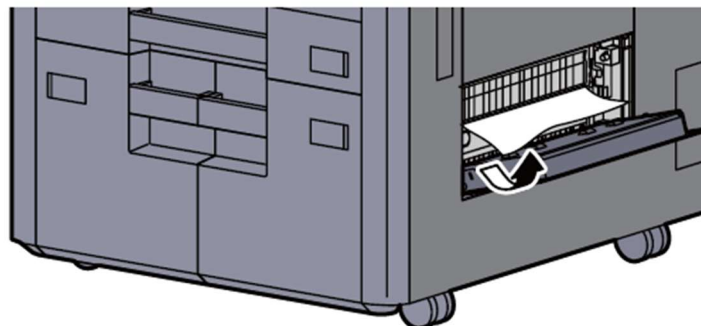
1 If the optional side feeder is installed, detach the side feeder.



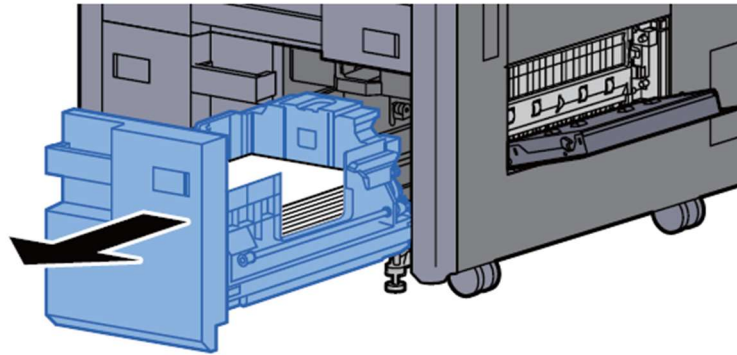
2 Open Right Cover 4.



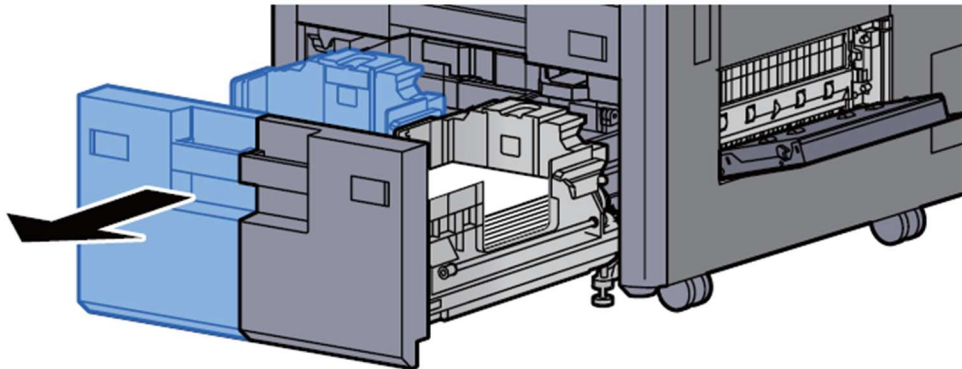
3 Remove any jammed paper.



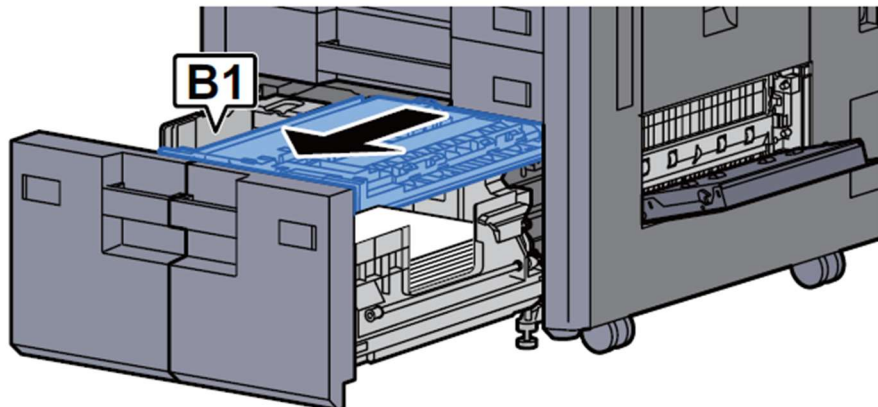
4 Pull Cassette 3 out toward you until it stops.



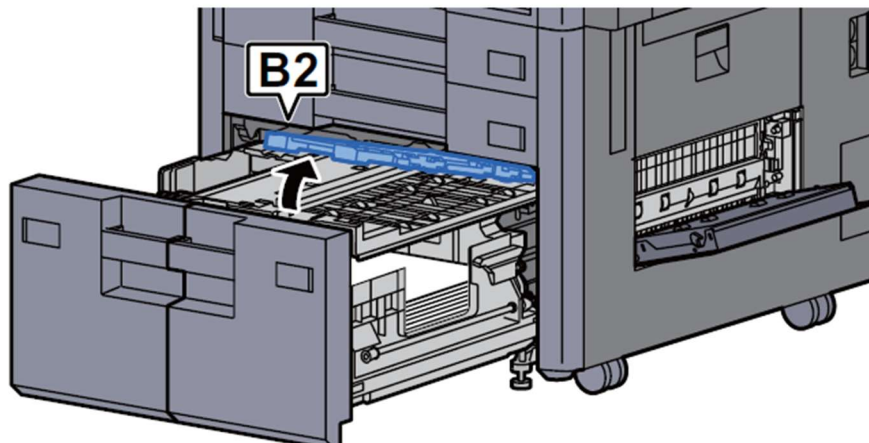
5 Pull Cassette 4 out toward you until it stops.



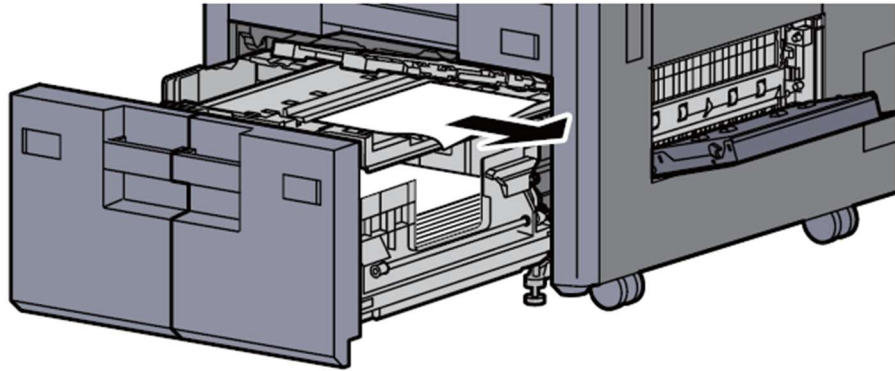
6 Pull out paper feed unit (B1).



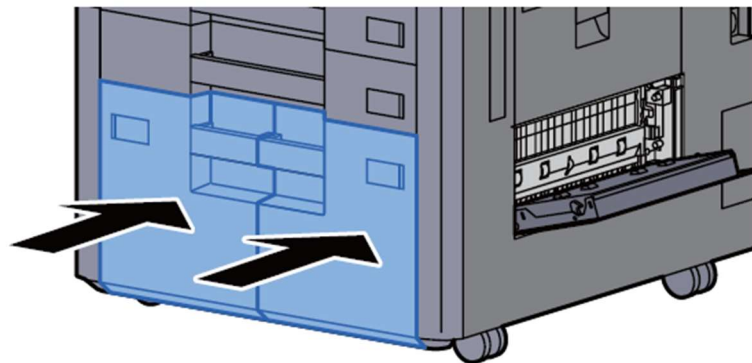
7 Open cover (B2).



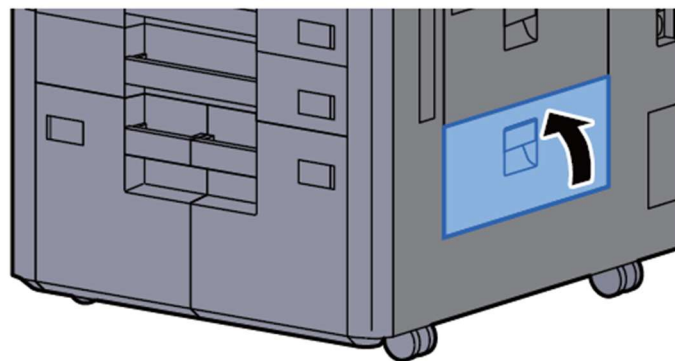
8 Remove any jammed paper.



9 Push the paper feed unit, Cassette 3 and Cassette 4 back in.



10 Return the cover to the original position.



11 If the optional side feeder is installed, return the side feeder to the original position.

