

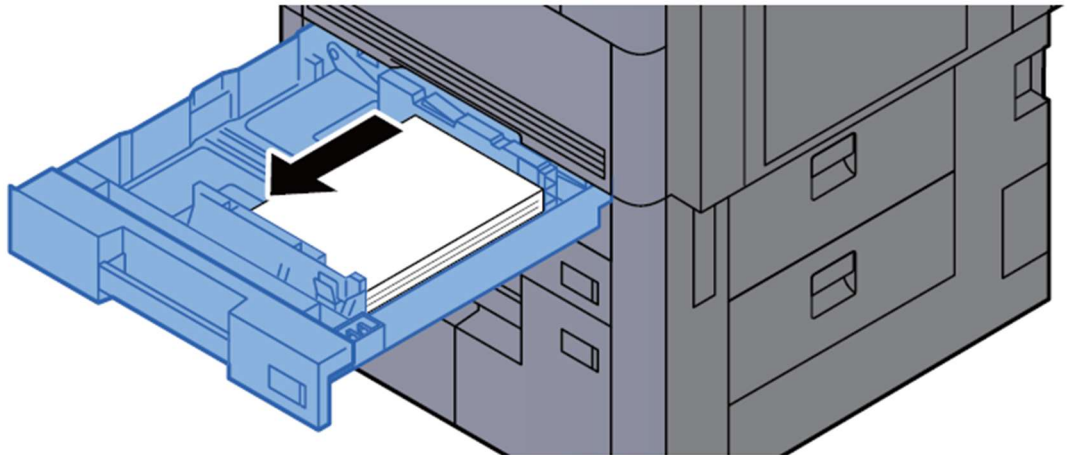
Clearing Paper Jams

Remove any jammed paper in **Cassette 1**

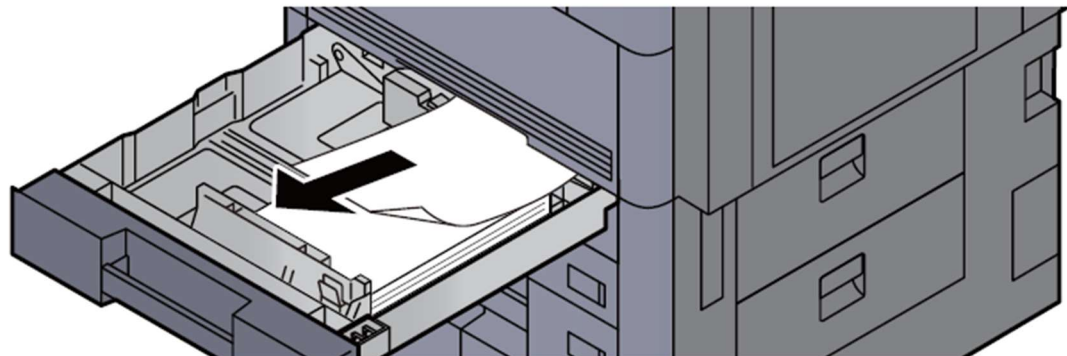
CAUTION

- Do not reuse jammed papers.
- If the paper tears during removal, be sure to remove any loose scraps of paper from inside the machine. Scraps of paper left in the machine could cause subsequent jamming.

1 Pull **Cassette 1** out toward you until it stops.



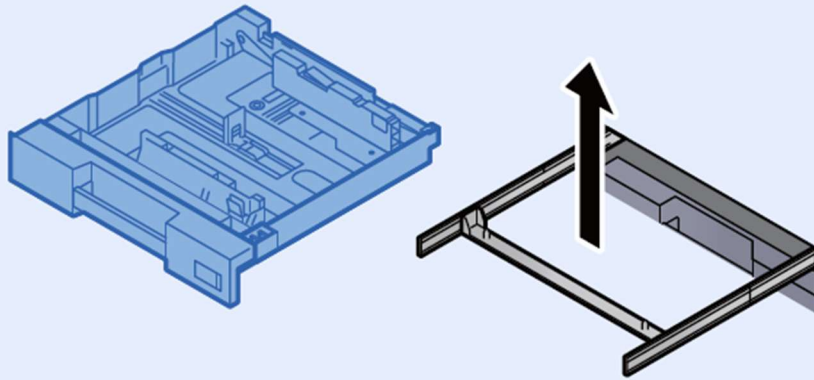
2 Remove any jammed paper.





NOTE

The cassette can be removed.



3 Push Cassette 1 back in.

