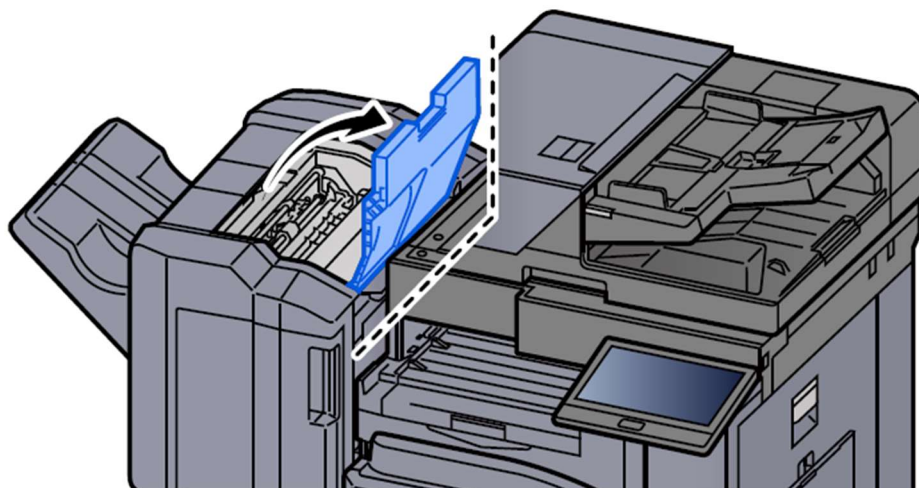


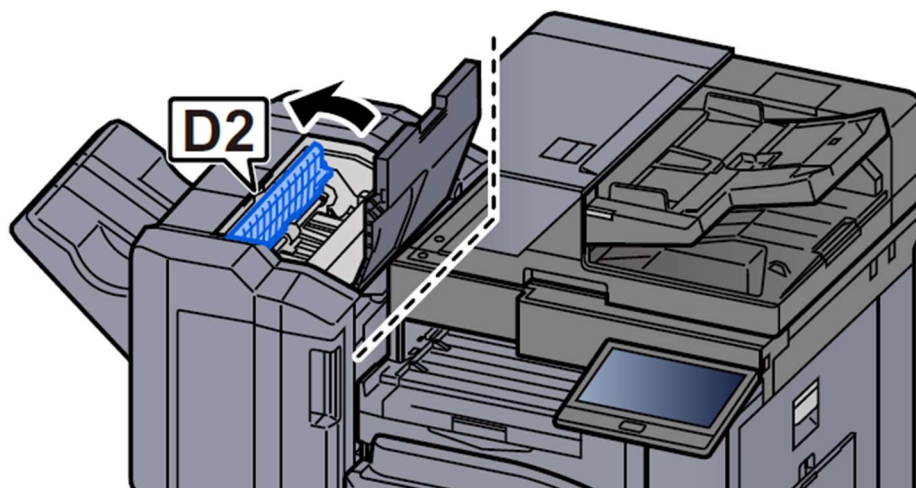
Clearing a Staple Jam

Clearing a staple jam of the 1,000-Sheet Finisher

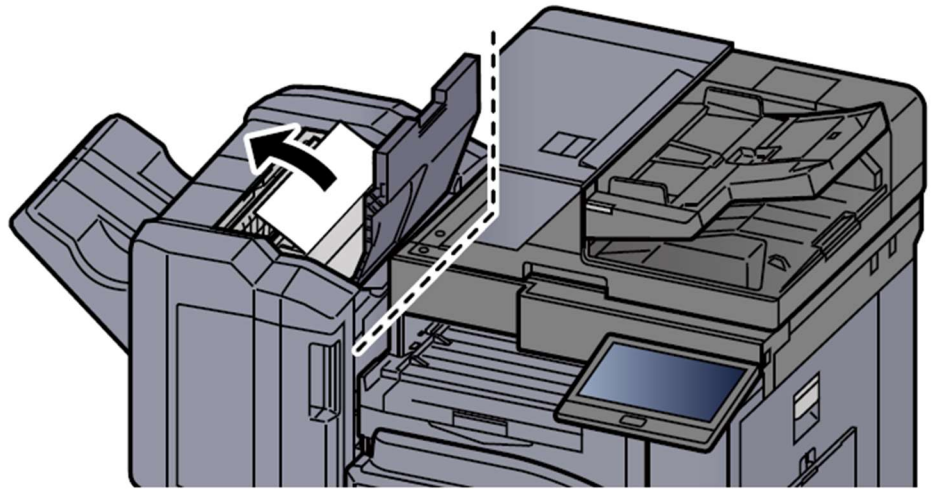
- 1 Open the finisher top cover.**



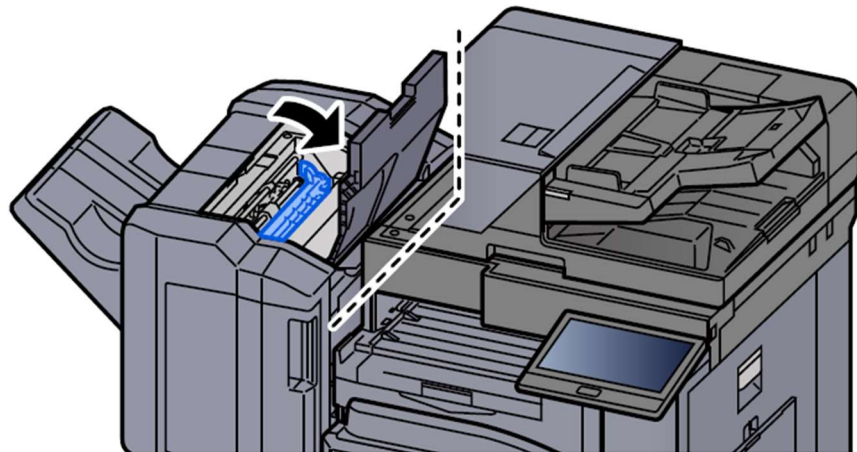
- 2 Open the conveyor guide (D2).**



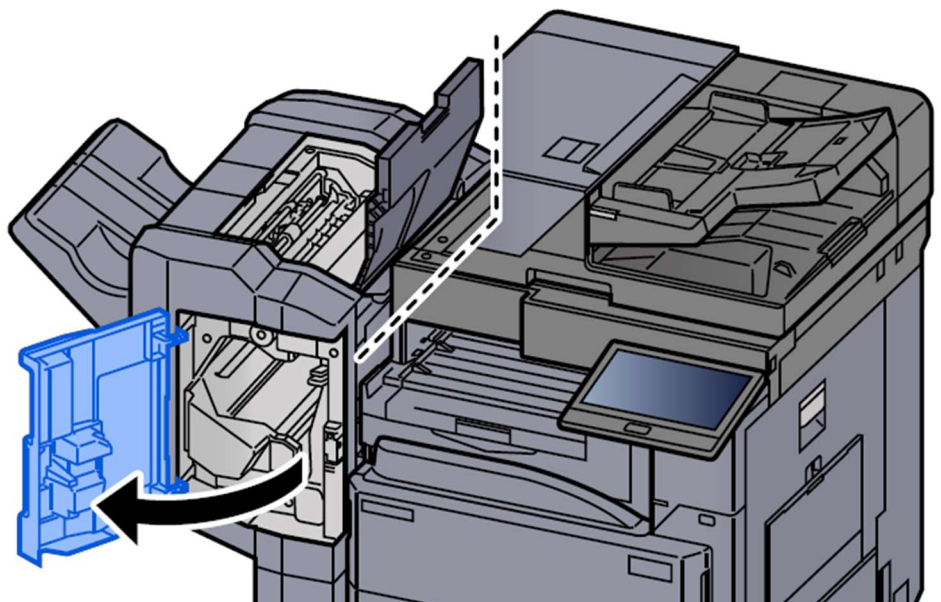
3 Remove any jammed paper.



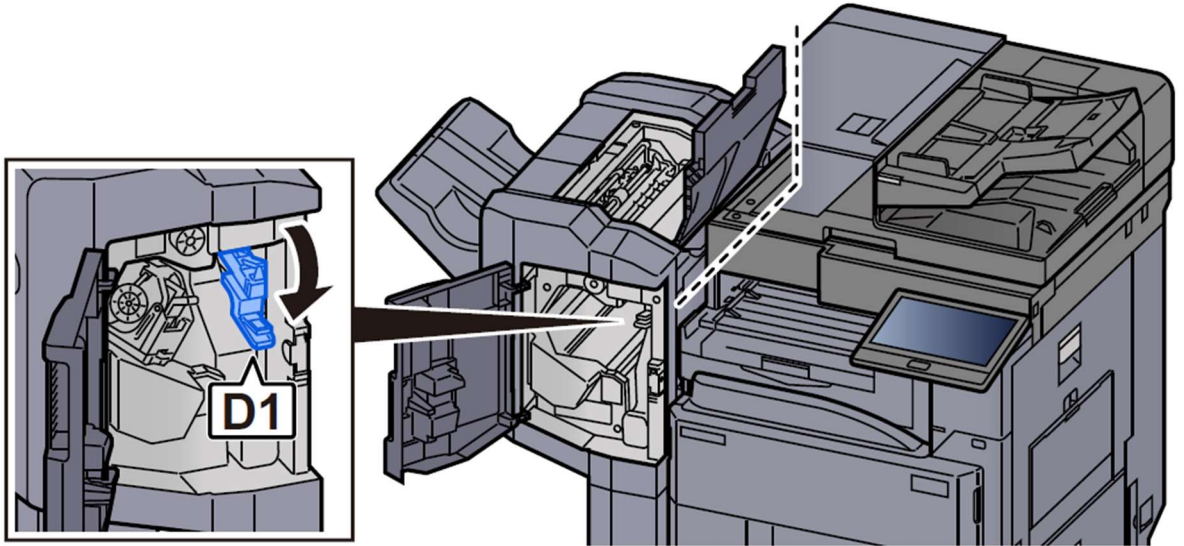
4 Return the conveyor guide (D2) to the original position.



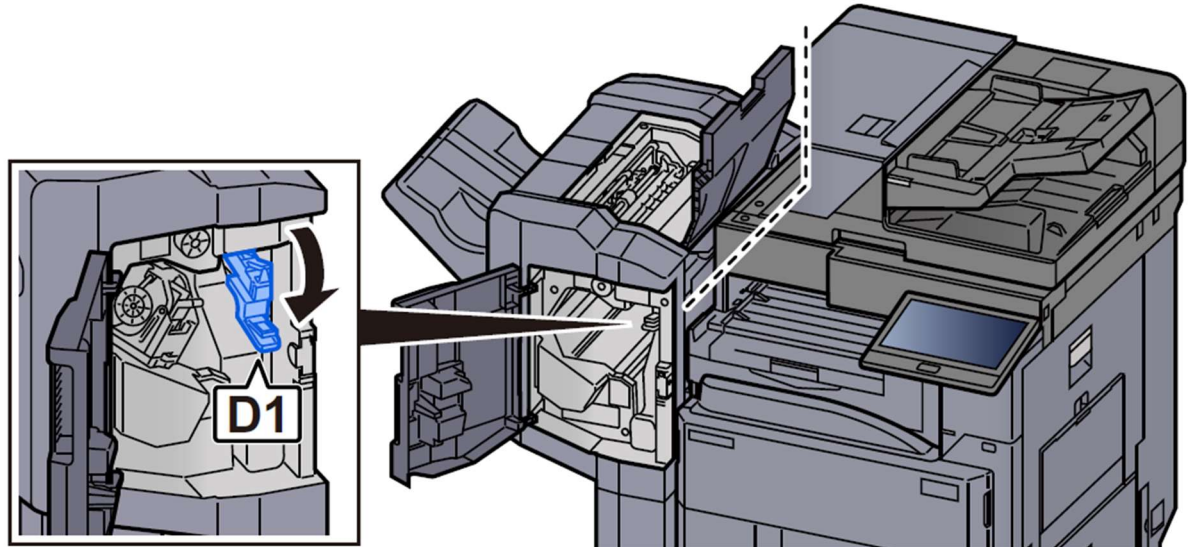
5 Open the finisher front cover.



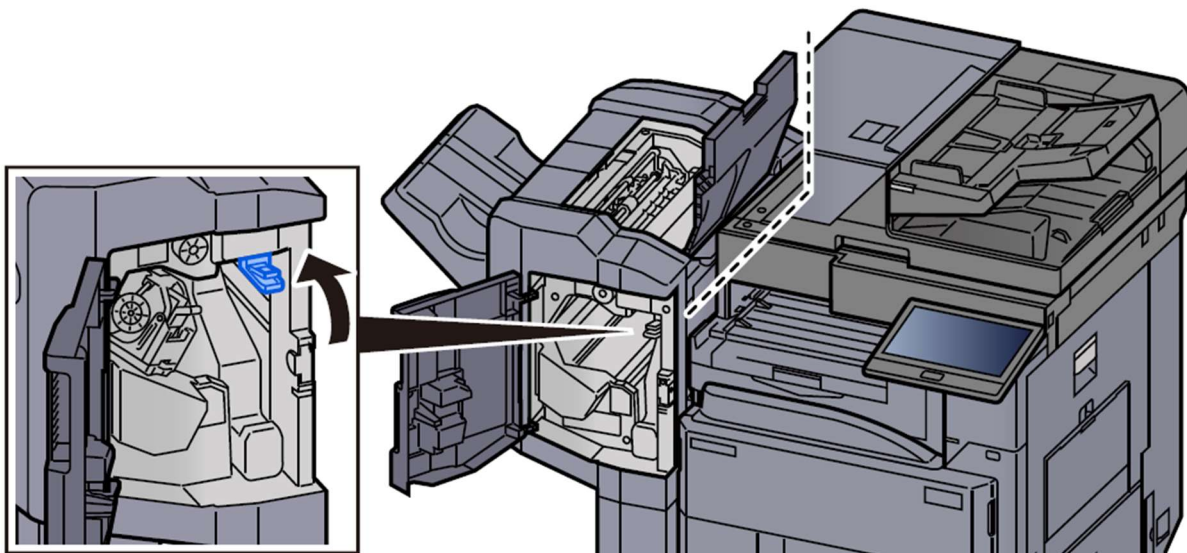
6 Open the conveyor guide (D1).



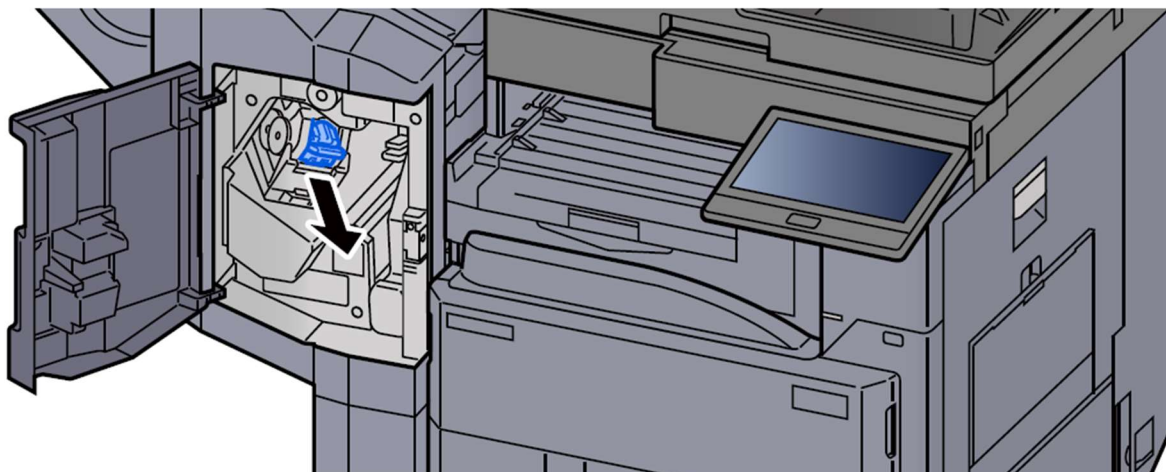
7 Remove any jammed paper.



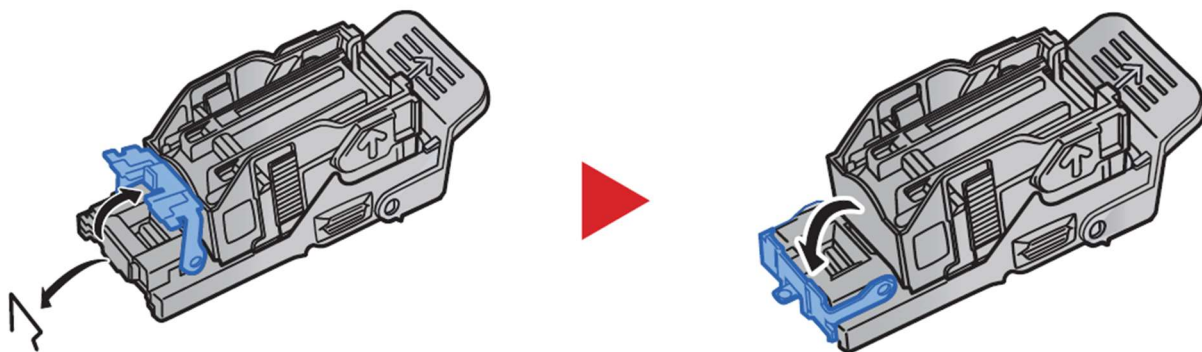
8 Return the conveyor guide (D1) to the original position.



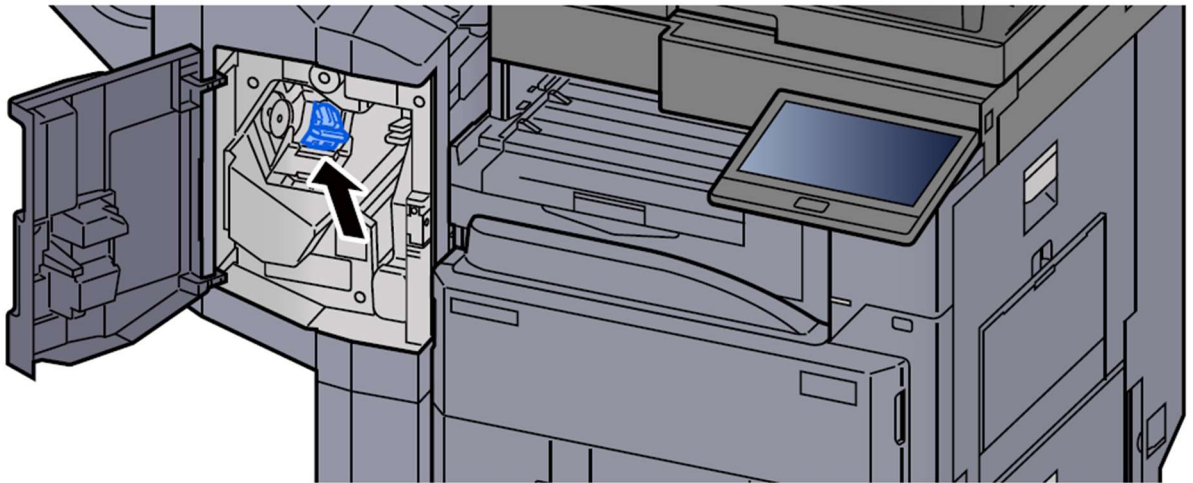
9 Remove the Staple Cartridge Holder.



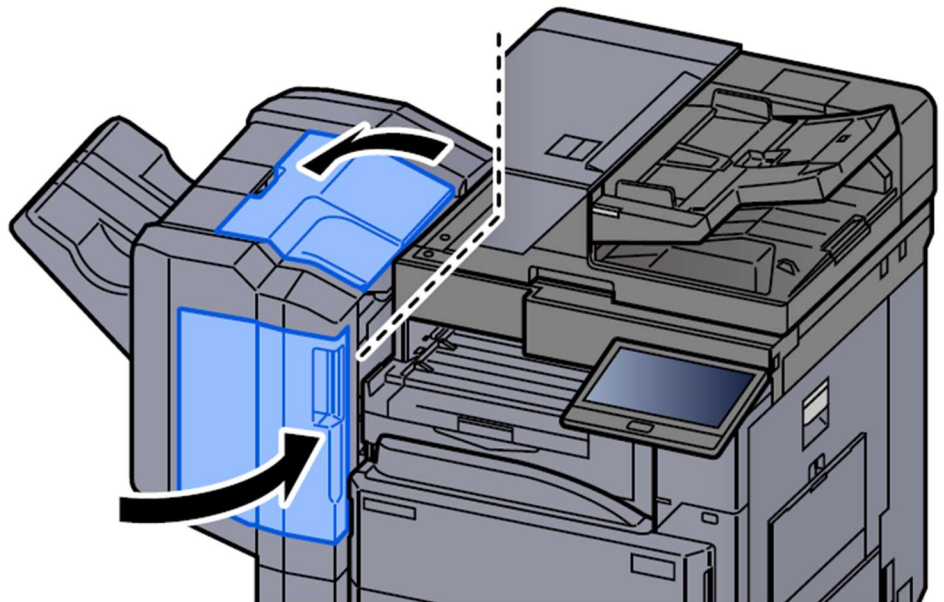
10 Remove the jammed staple.



11 Install the Staple Cartridge Holder.



12 Return the covers to the original position.



**KYOCERA Document Solutions UK
Eldon Court, 75-77 London Road,
Reading, RG1 5BS**

Web: www.kyoceradocumentsolutions.co.uk