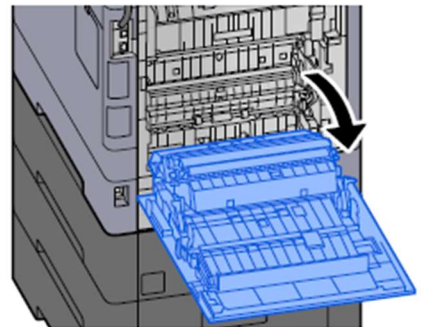
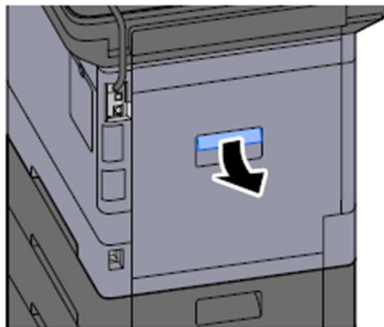


Taskalfa MA3500ci MA4500ci

Clearing Jammed Paper Rear Cover 2



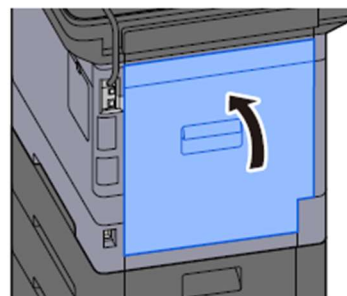
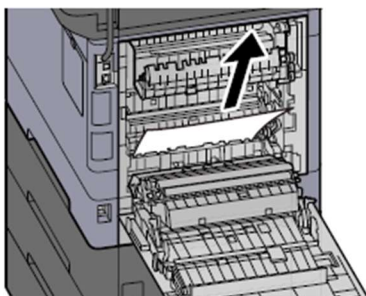
Open the Rear Cover 1.



CAUTION

Some parts are very hot inside the machine. Exercise caution as there is a risk of burn injury.

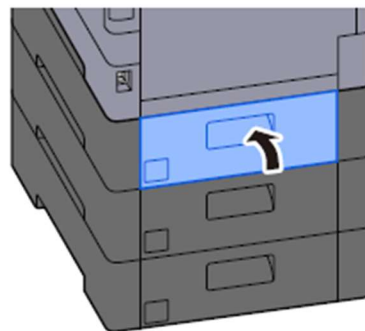
Remove the jammed paper and return the Rear Cover 1 to its original position.



Open the Rear Cover 2 and remove the jammed paper.



Return the Rear Cover 2 to the original position.



KYOCERA Document Solutions UK

Eldon Court, 75-77 London Road,

Reading, RG1 5BS

Web: www.kyoceradocumentsolutions.co.uk