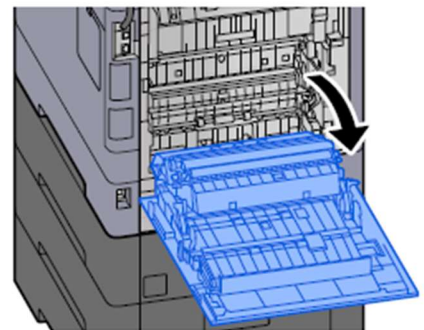
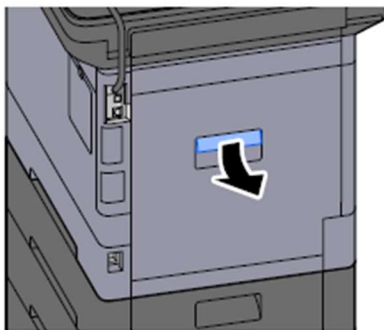


Taskalfa MA3500ci MA4500ci

Clearing Jammed Paper Duplex



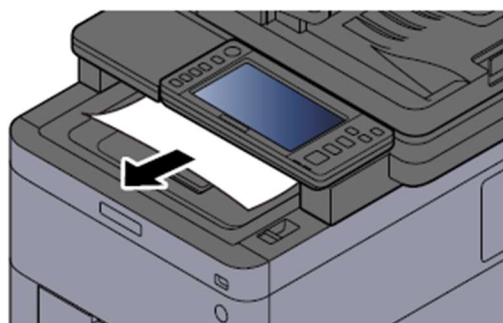
Open the Rear Cover 1



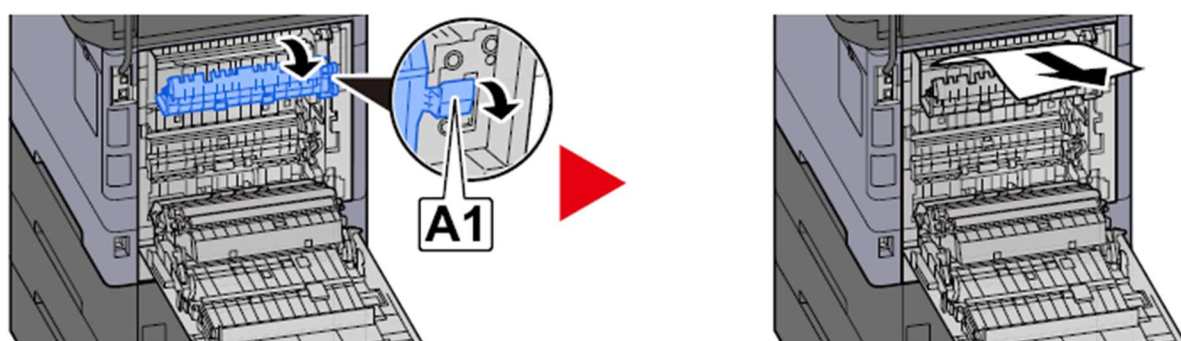
CAUTION

Some parts are very hot inside the machine. Exercise caution as there is a risk of burn injury.

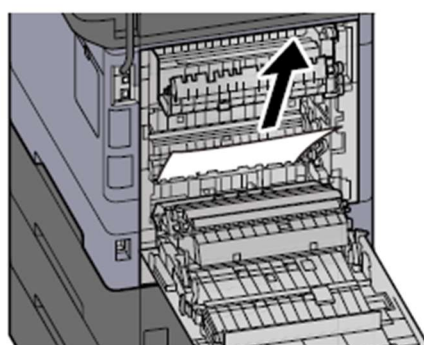
Remove any jammed paper.



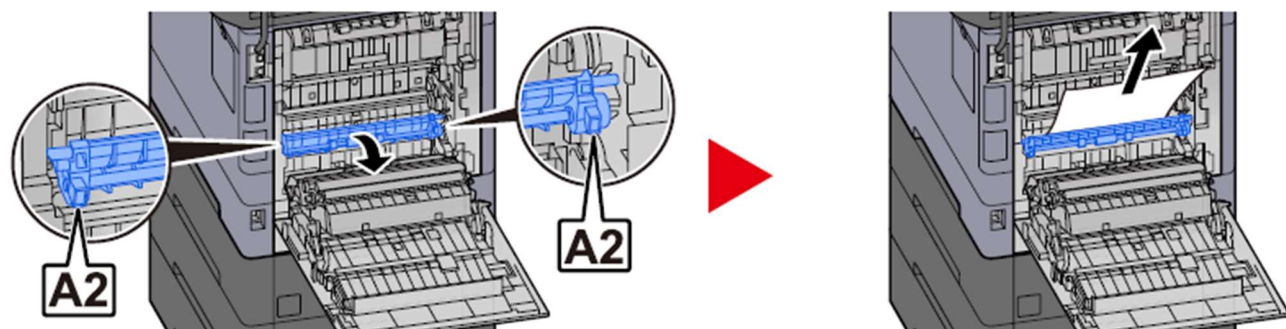
Open cover A1 and remove the jammed paper



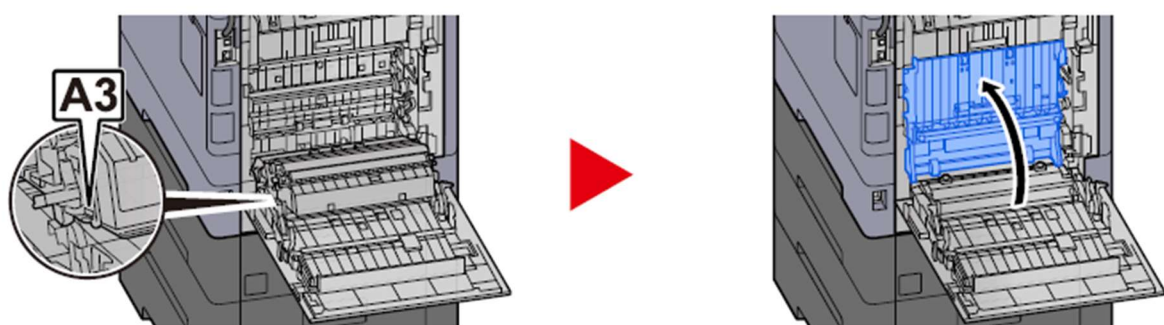
Remove any jammed paper.



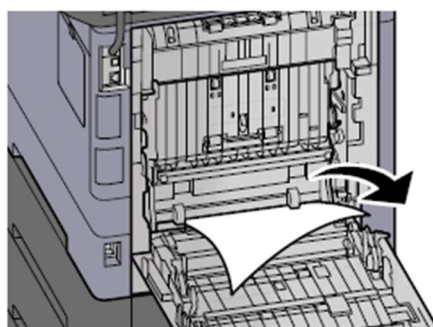
Open cover A2 and remove the jammed paper



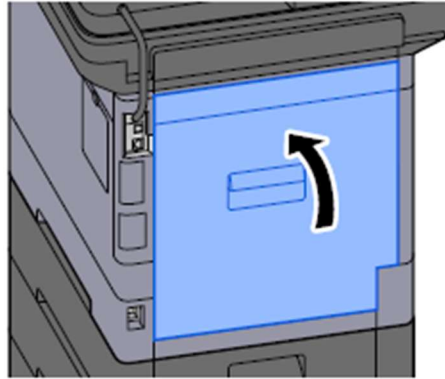
Return the Unit A3 to the original position



Remove any jammed paper.



Return the rear cover 1 to the original position.



KYOCERA Document Solutions UK

Eldon Court, 75-77 London Road,

Reading, RG1 5BS

Web: www.kyoceradocumentsolutions.co.uk