

Taskalfa MA3500ci MA4500ci

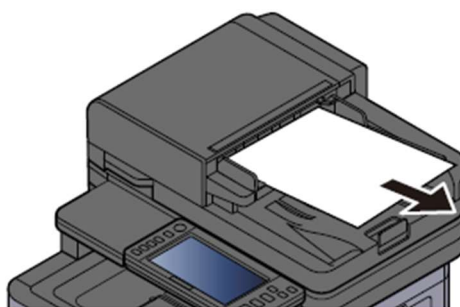
Clearing Jammed Paper Document Processor



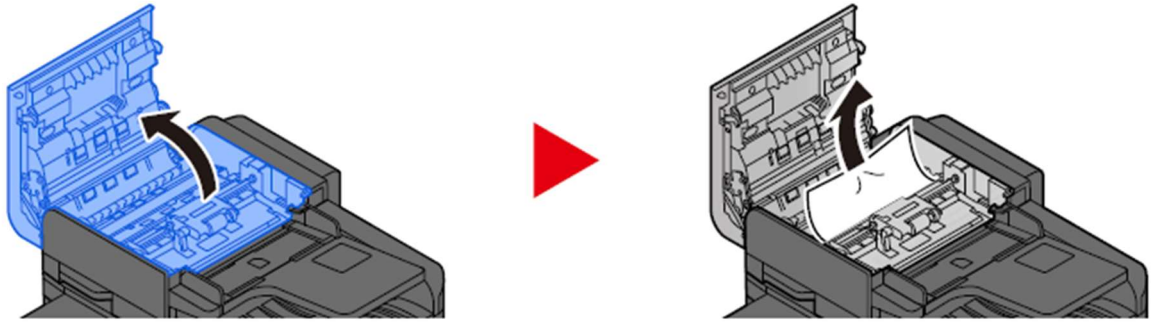
CAUTION

If the paper tears during removal, be sure to remove any loose scraps of paper from inside the machine. Scraps of paper left in the machine could cause subsequent jamming.

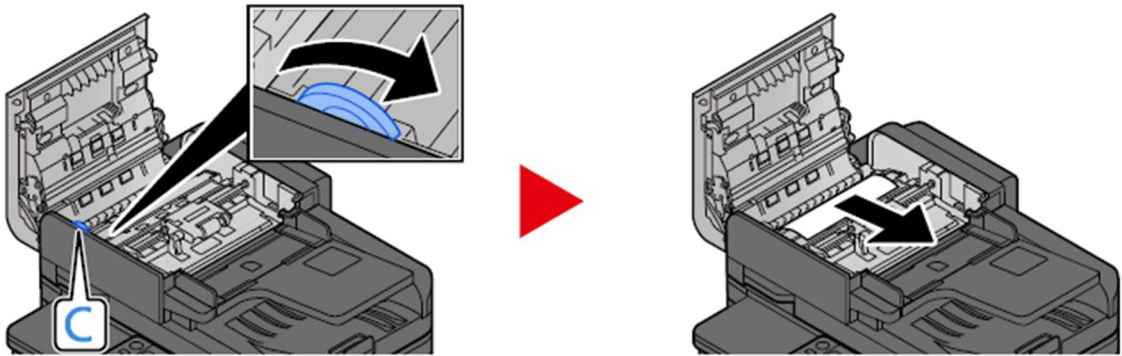
Remove the originals from the Original Table.



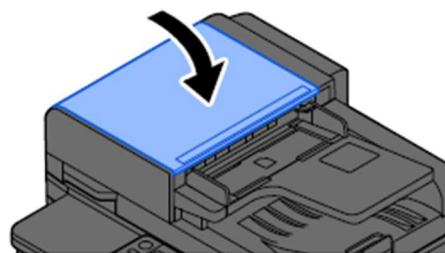
Open the Document Processor cover and remove the jammed paper.



Turn dial C to remove the jammed paper.



Return the cover to the original position.



KYOCERA Document Solutions UK

Eldon Court, 75-77 London Road,

Reading, RG1 5BS

Web: www.kyoceradocumentsolutions.co.uk