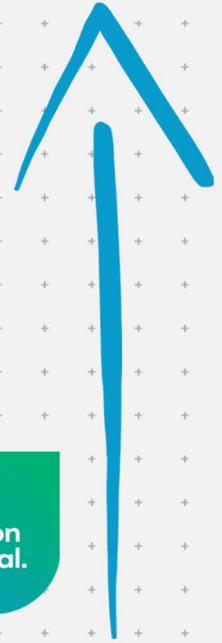


Taskalfa MA3500ci MA4500ci

Clearing Jammed Paper Cassettes 1 to 4



I'm
carbon
neutral.
KYOCERA

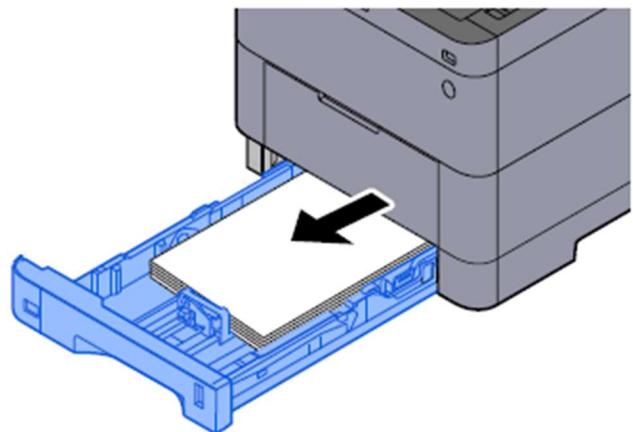


The procedure for handling paper jams in cassettes 1 to 5 is the same. Cassette 1 is used as an example here.

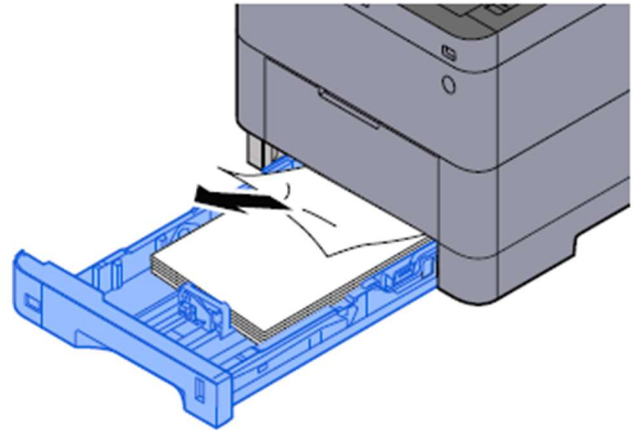
CAUTION

- Do not reuse jammed papers.
- If the paper tears during removal, be sure to remove any loose scraps of paper from inside the machine. Scraps of paper left in the machine could cause subsequent jamming.

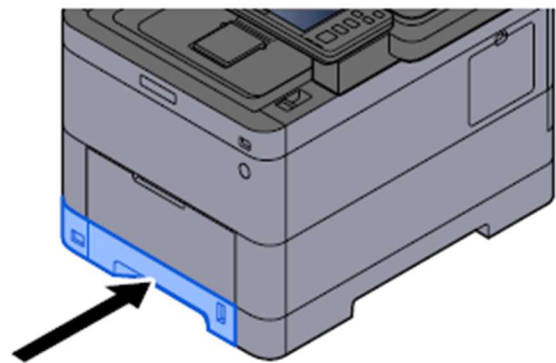
1 Pull Cassette 1 out toward you until it stops.



2 Remove any jammed paper.



3 Push Cassette 1 back in.



KYOCERA Document Solutions UK

Eldon Court, 75-77 London Road,

Reading, RG1 5BS

Web: www.kyoceradocumentsolutions.co.uk