

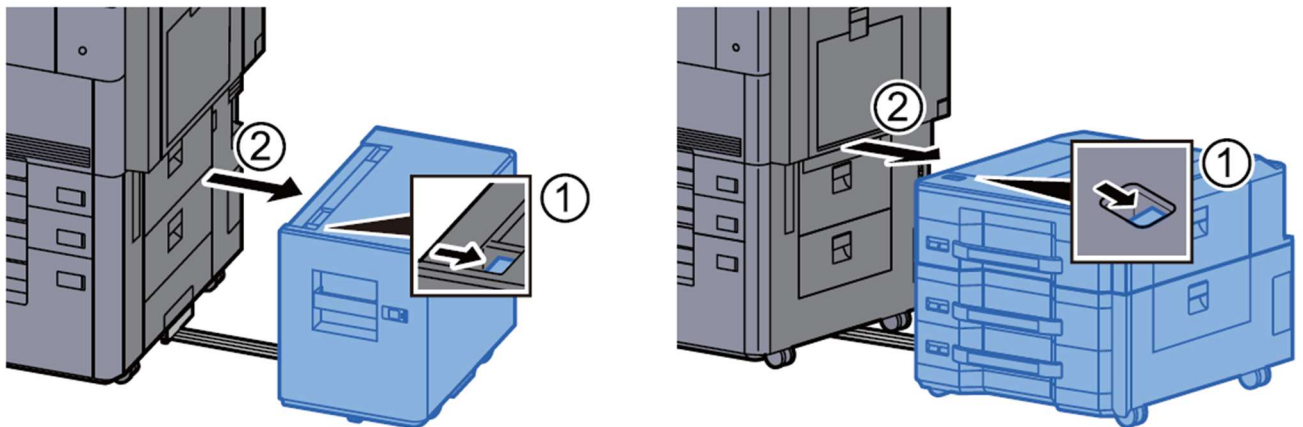
# Clearing Paper Jams

## Remove any jammed paper in Right Cover 3

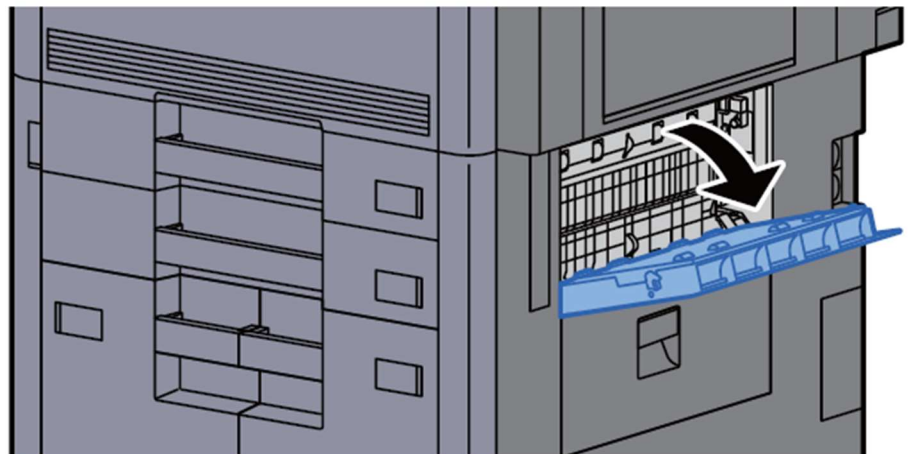
### CAUTION

The fixing unit is extremely hot. Take sufficient care when working in this area, as there is a danger of getting burned.

### 1 If the optional side feeder is installed, detach the side feeder.



### 2 Open Right Cover 3.



**3 Remove any jammed paper.**



**4 Return the cover to the original position.**



**5 If the optional side feeder is installed, return the side feeder to the original position.**

