

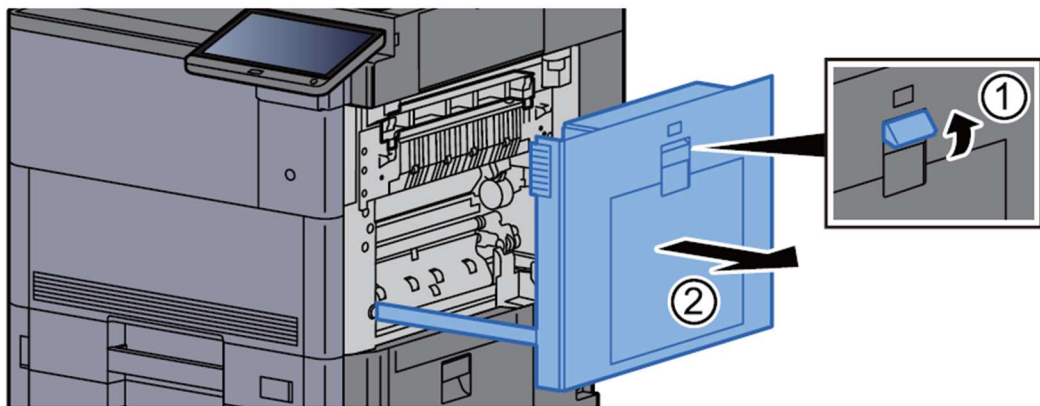
# Clearing Paper Jams

## Remove any jammed paper in Right Cover 1

### CAUTION

The fixing unit is extremely hot. Take sufficient care when working in this area, as there is a danger of getting burned.

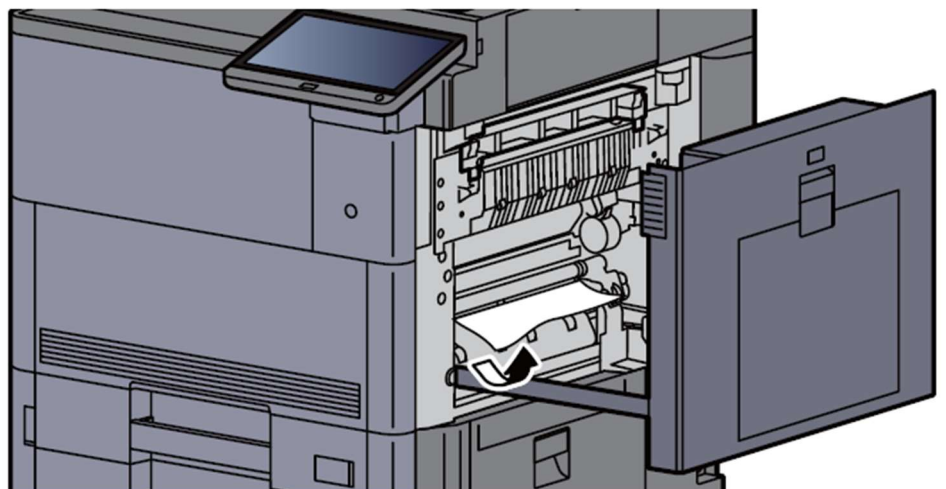
### 1 Open Right Cover 1.



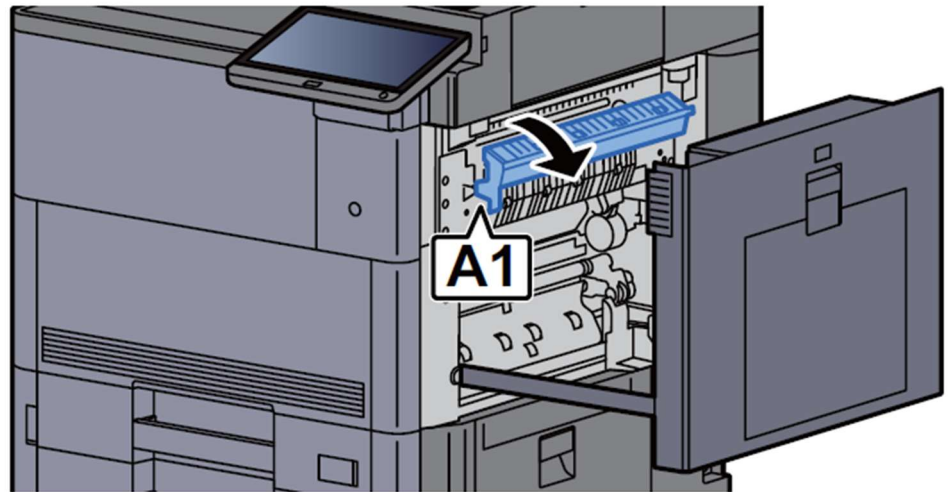
### NOTE

Remove the paper from the multipurpose tray.

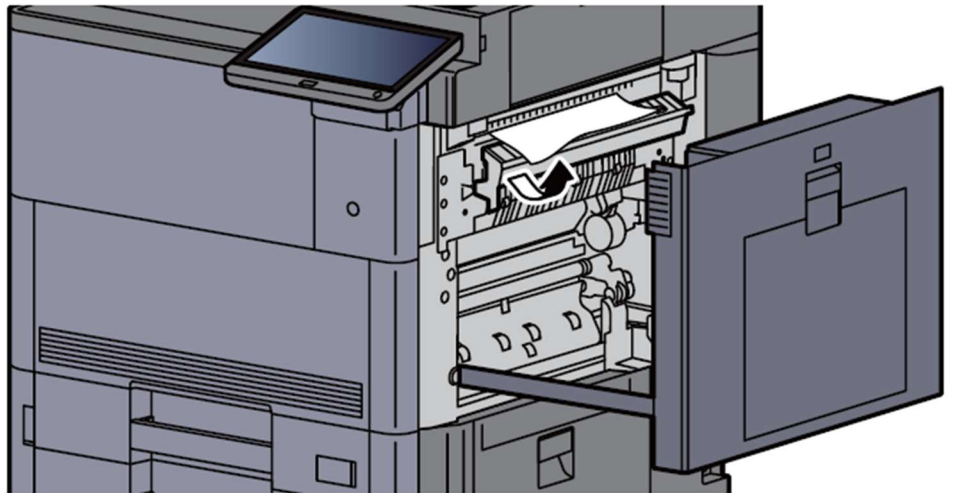
### 2 Remove any jammed paper.



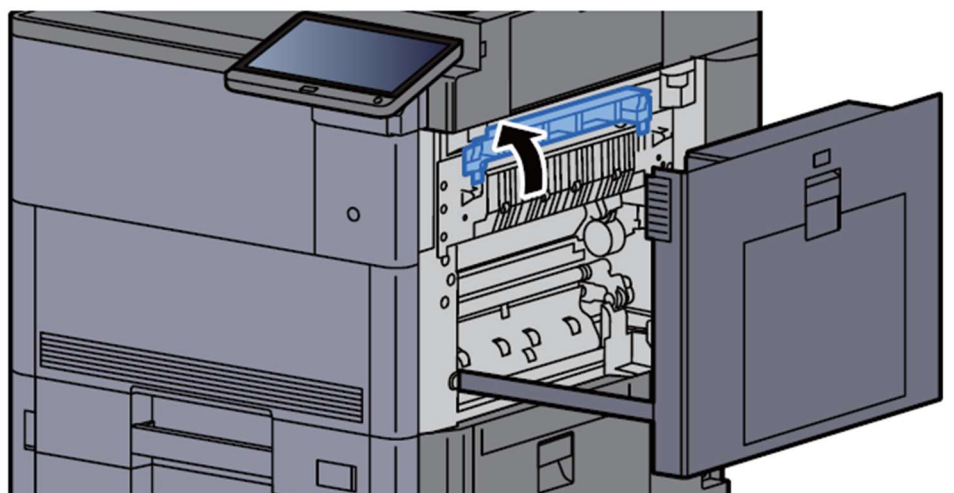
**3** Open the fuser cover (A1).



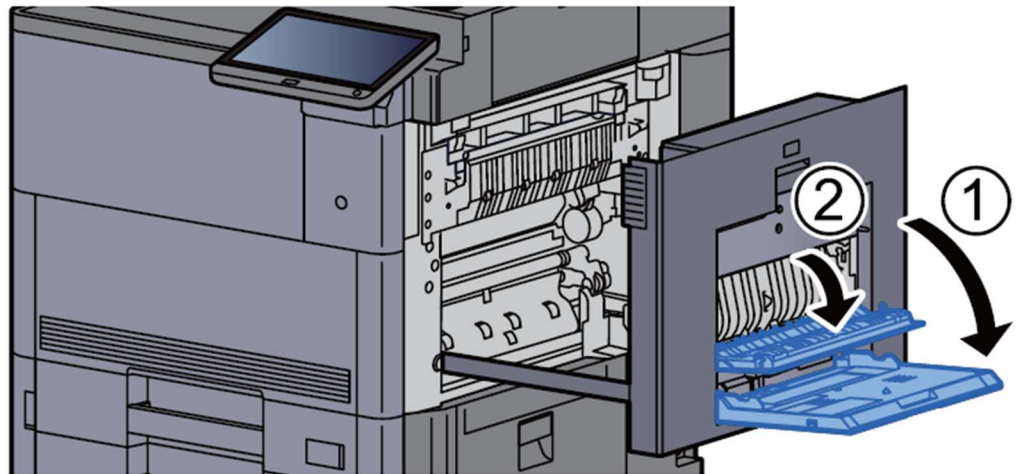
**4** Remove any jammed paper.



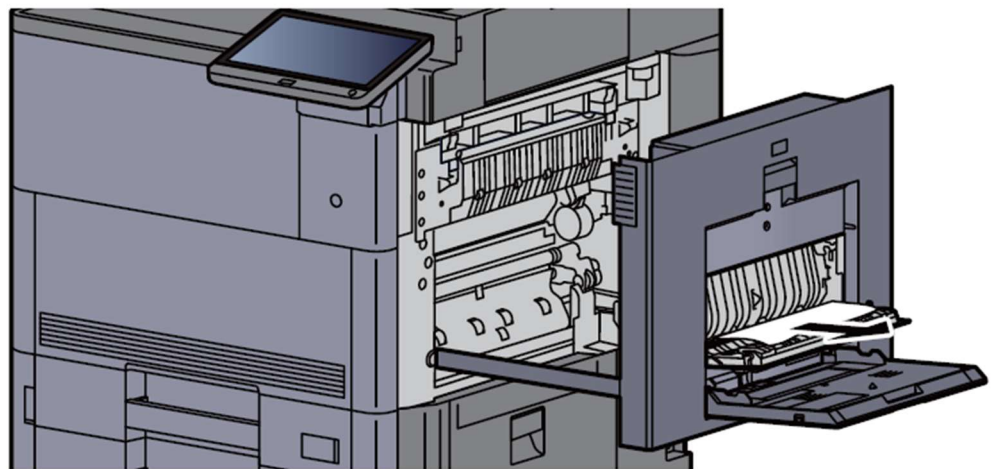
**5** Return the fuser cover to the original position.



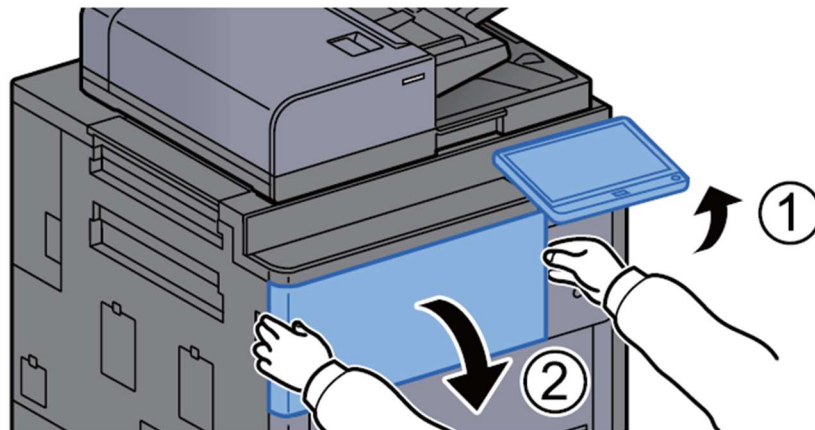
**6 Open the multipurpose tray and Right Cover 2.**



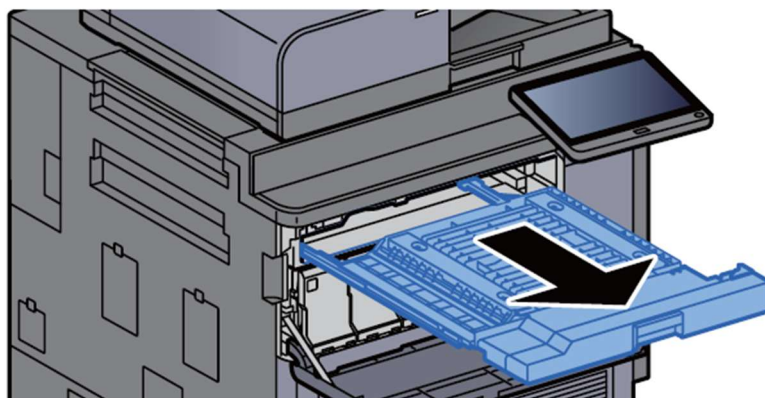
**7 Remove any jammed paper.**



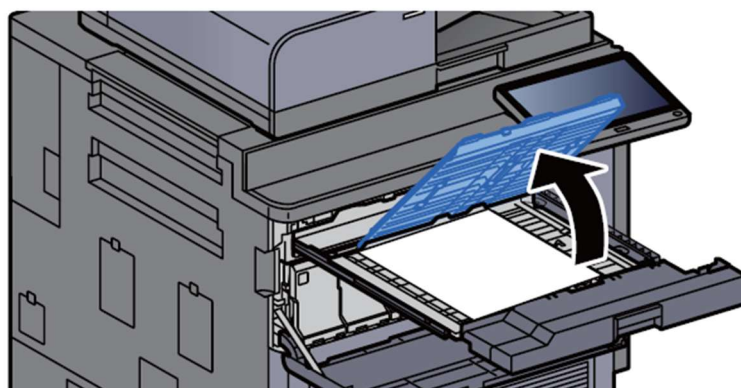
**8 Tilt the operation panel upwards and open the front cover.**



**9 Pull out the bridge unit.**



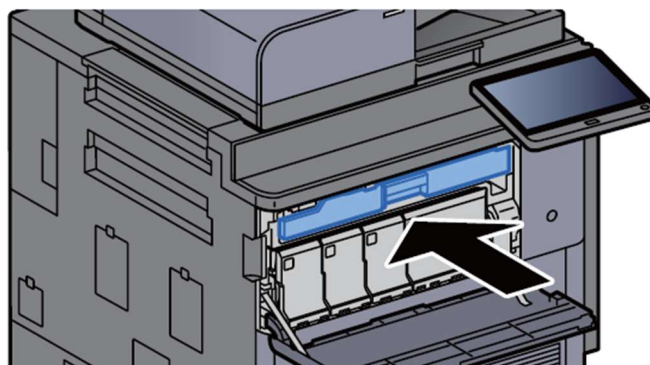
**10 Open the bridge unit cover.**



**11 Remove any jammed paper.**



**12 Return the bridge unit to the original position.**



**13** Return the covers to the original position.

