

Regular Maintenance

Replace the Waste Toner Box

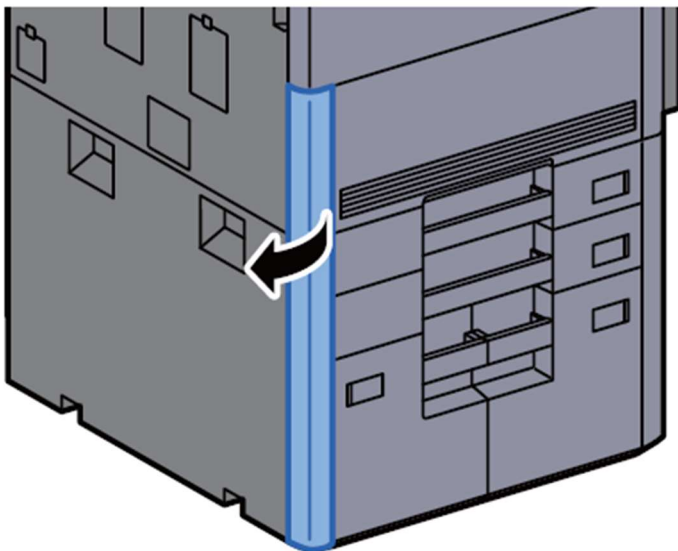
When the waste toner box is full, the following message will be displayed. Immediately replace the waste toner box.
"Waste toner box is full."



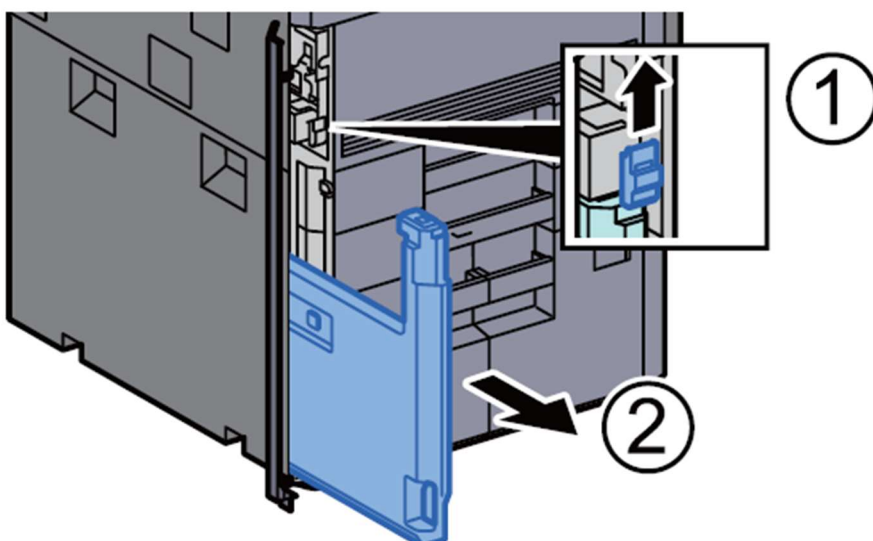
CAUTION

Do not attempt to incinerate parts which contain toner. Dangerous sparks may cause burns.

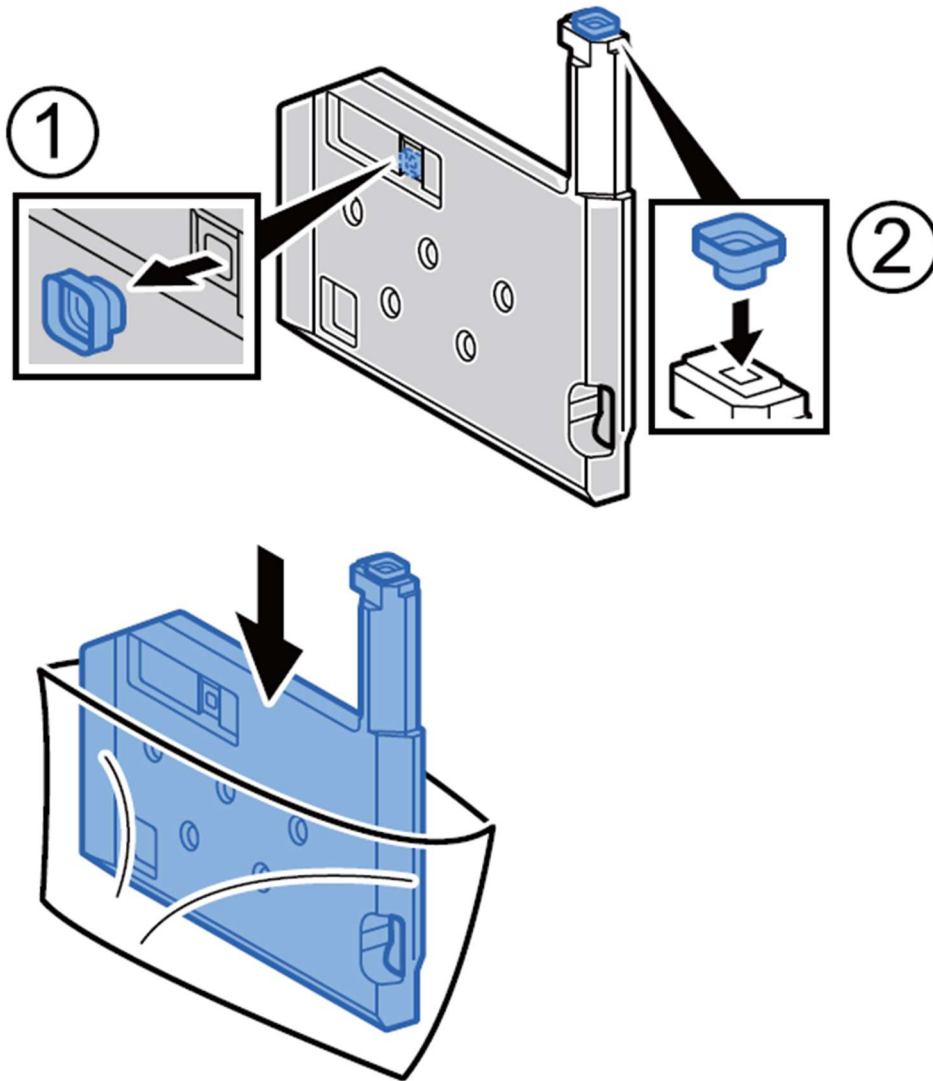
1 Open the waste toner box cover.



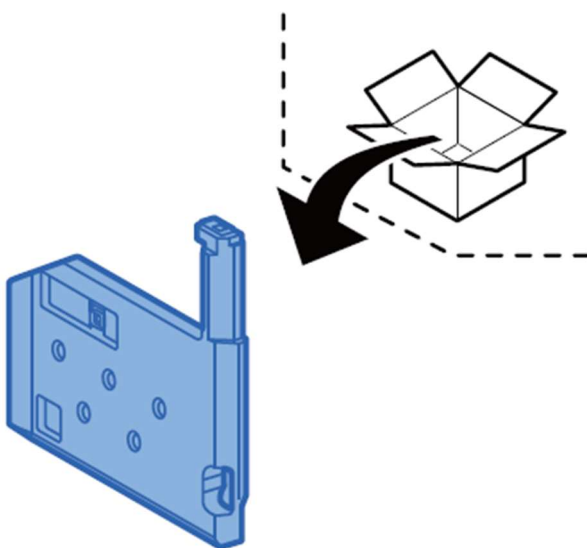
2 Remove the Waste Toner Box.



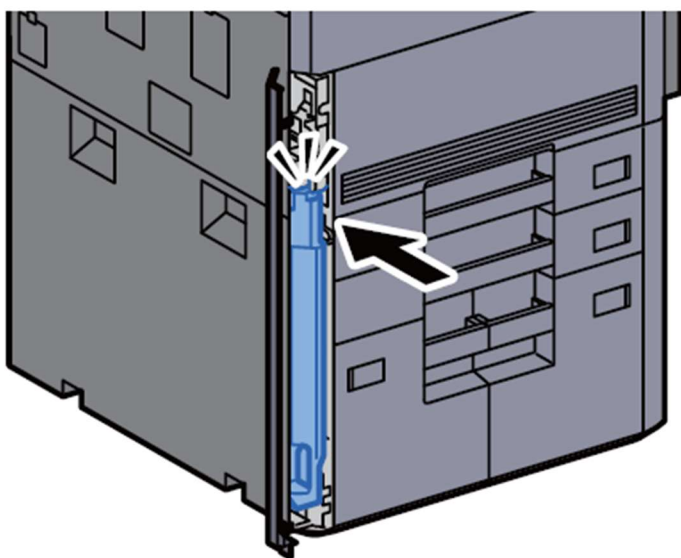
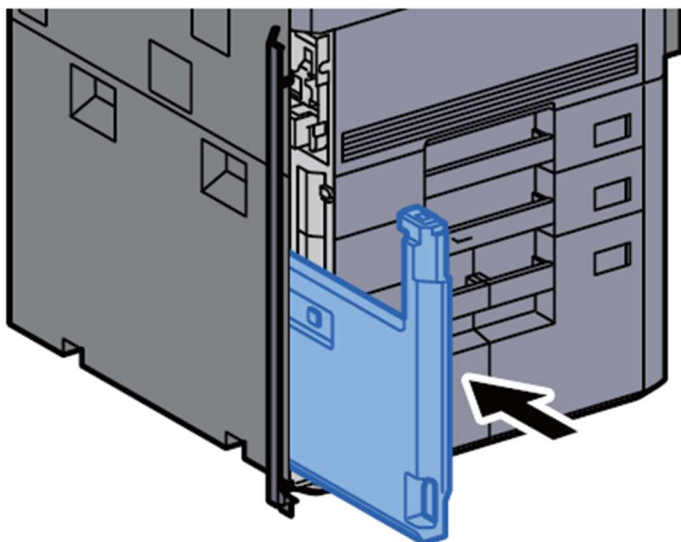
3 Put used Waste Toner Box into the plastic waste bag.



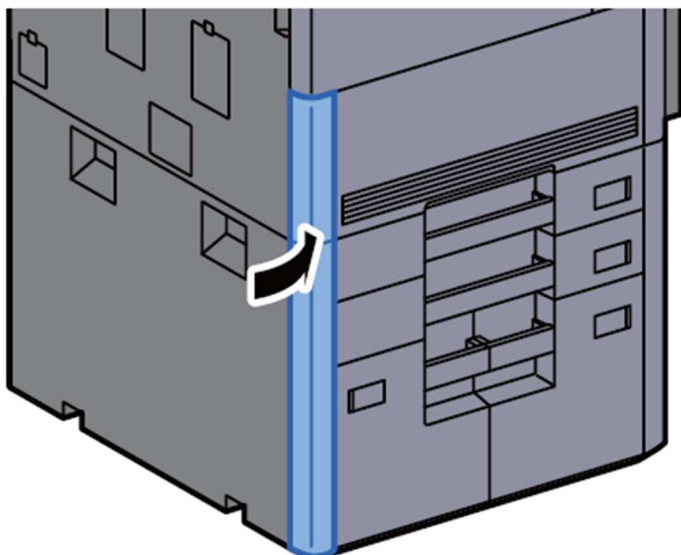
4 Remove the new Waste Toner Box.



5 Install the Waste Toner Box.



6 Close the waste toner box cover.



**NOTE**

Return the exhausted waste toner box to your dealer or service representative. The collected waste toner box will be recycled or disposed in accordance with the relevant regulations.