

Regular Maintenance

Toner Container Replacement

When toner is empty, the following message will be displayed.

"Toner is empty."

When toner runs low, the following message will be displayed. Make sure you have a new toner container available for replacement.

"Toner is low. (Replace when empty.)"

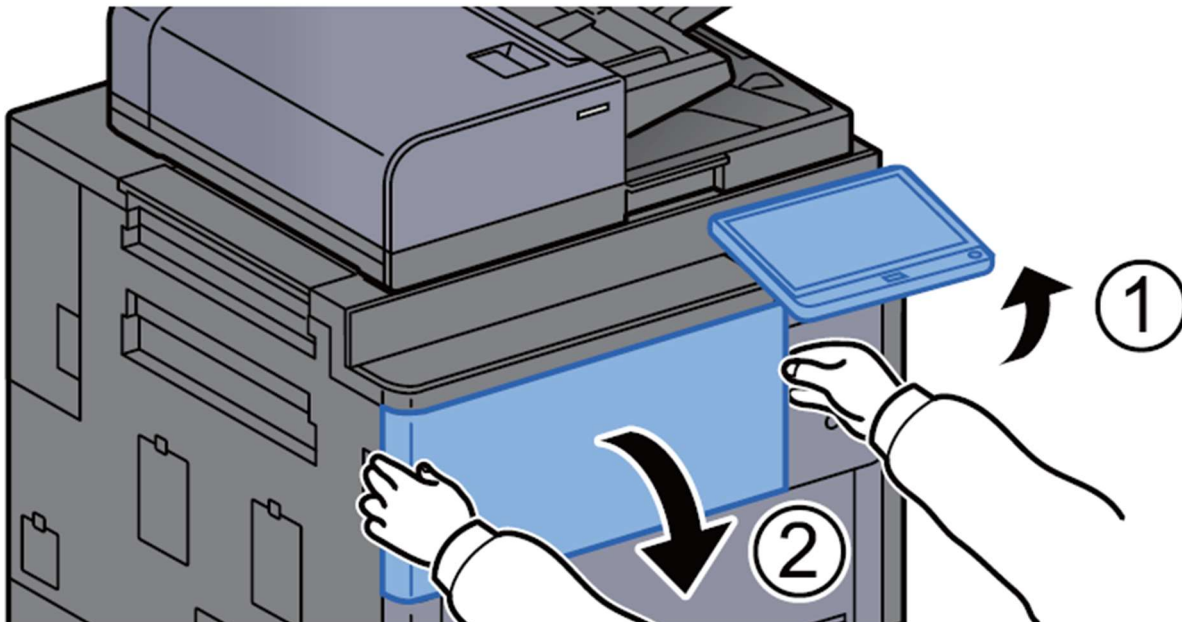
NOTE

- For the toner container, always use a genuine toner container. Using a toner container that is not genuine may cause image defects and product failure.
- The memory chip in the toner container of this product stores information necessary for improving customer convenience, operation of the recycling system for used toner containers, and planning and development of new products. The stored information does not include information that makes it possible to identify individuals, and is only used anonymously for the above purposes.

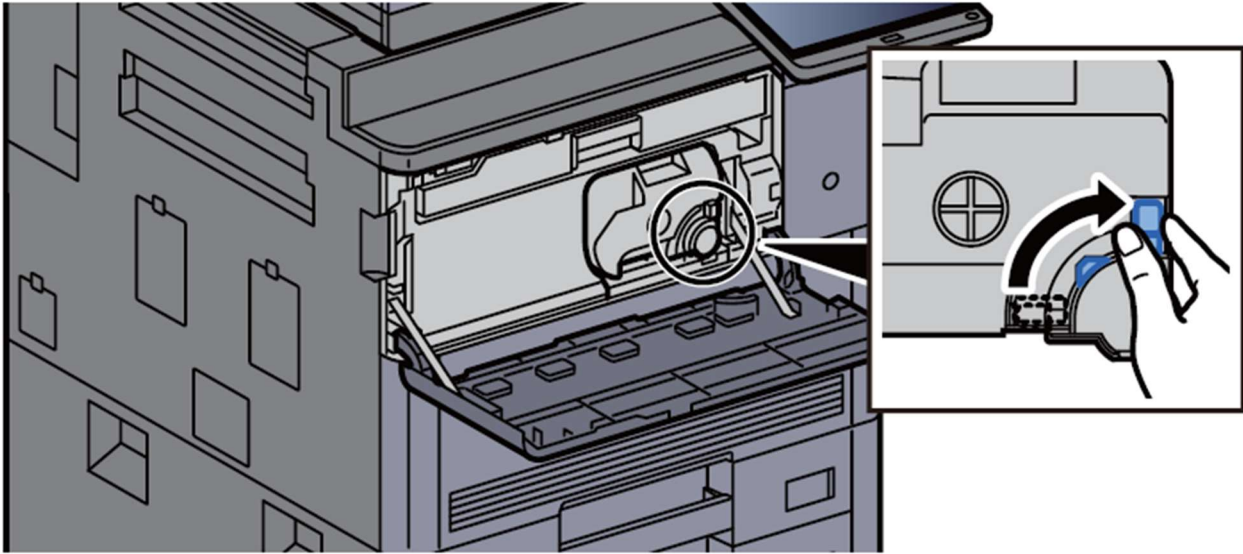
CAUTION

Do not attempt to incinerate parts which contain toner. Dangerous sparks may cause burns.

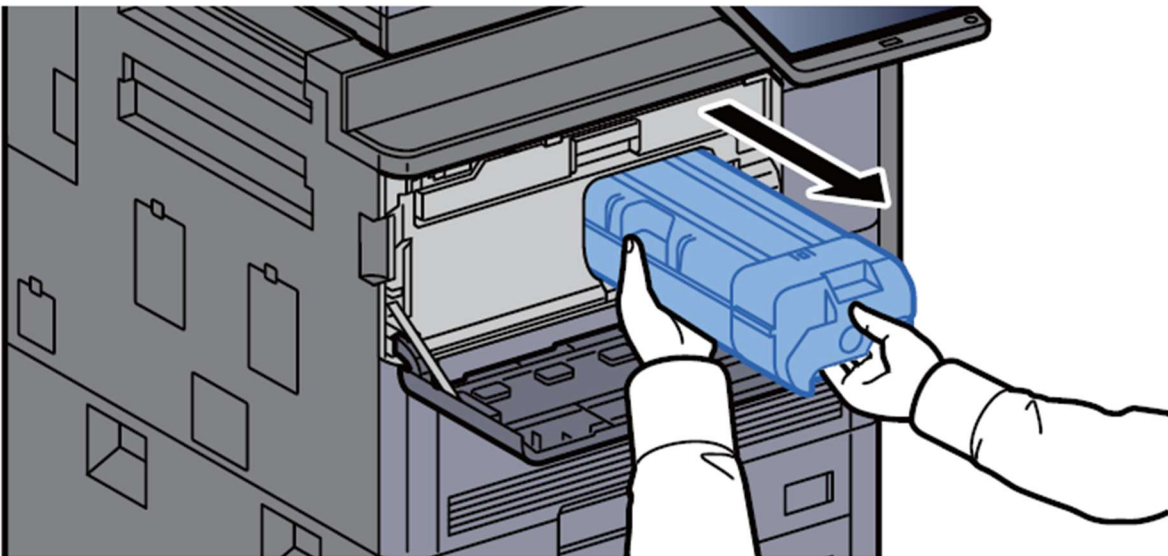
1 Tilt the operation panel upwards and open the front cover.



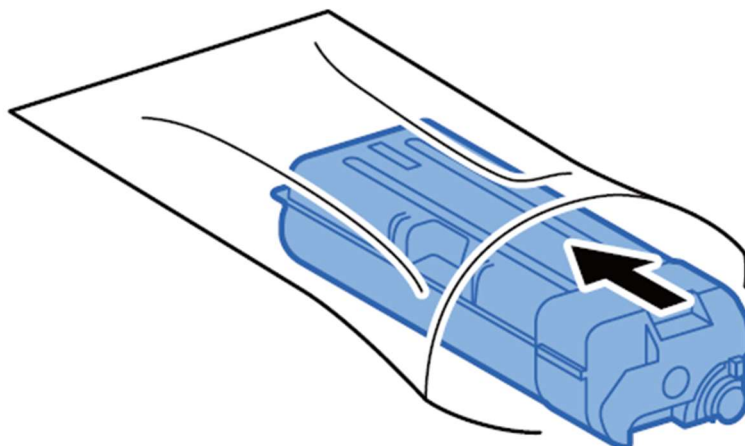
2 Turn the toner container release lever to the vertical position.



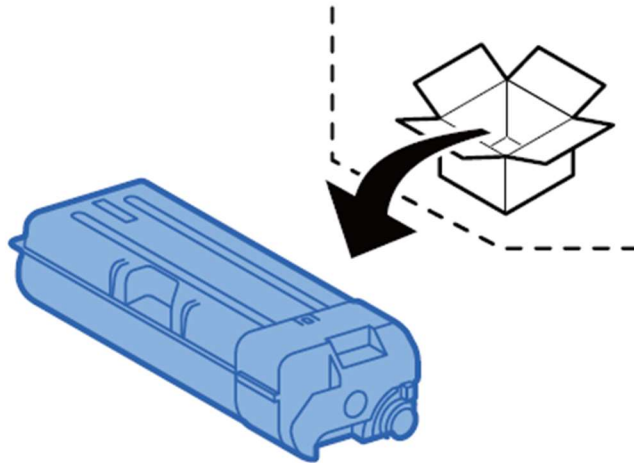
3 Remove the toner container.



4 Put used toner container into the plastic waste bag.

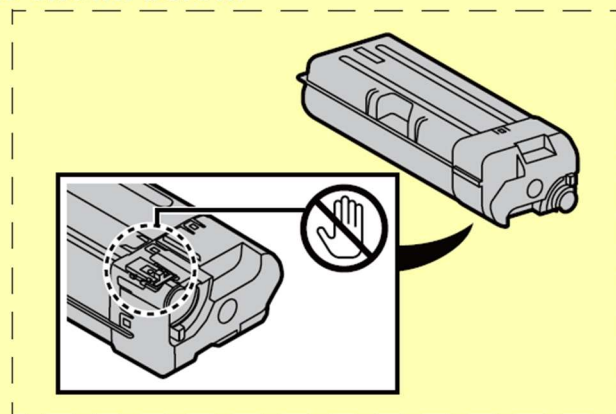


5 Remove the new toner container from the box.

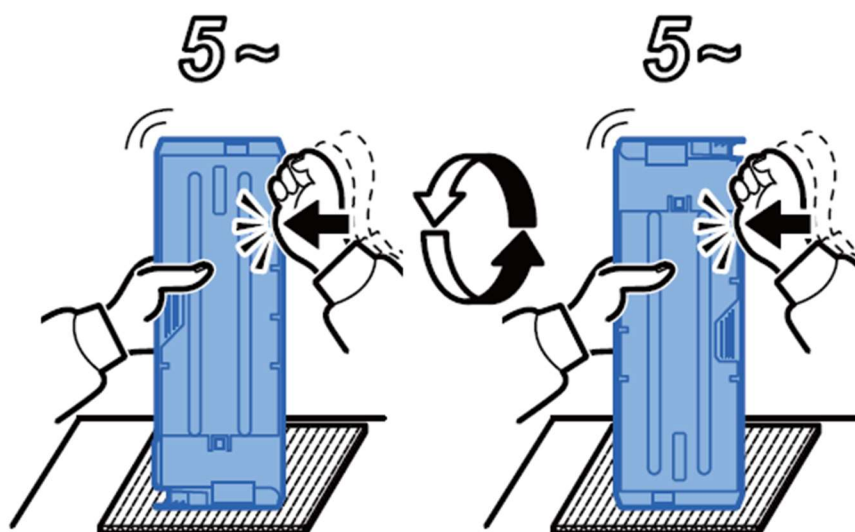


✔ IMPORTANT

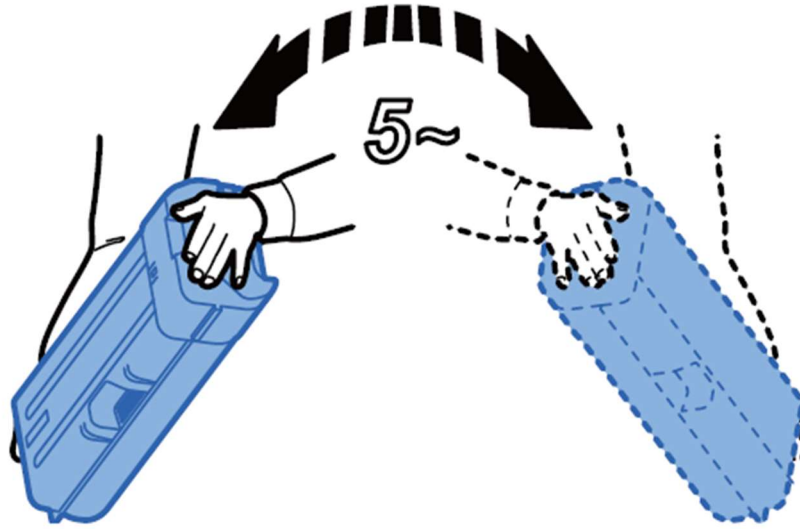
Do not touch the points shown below.



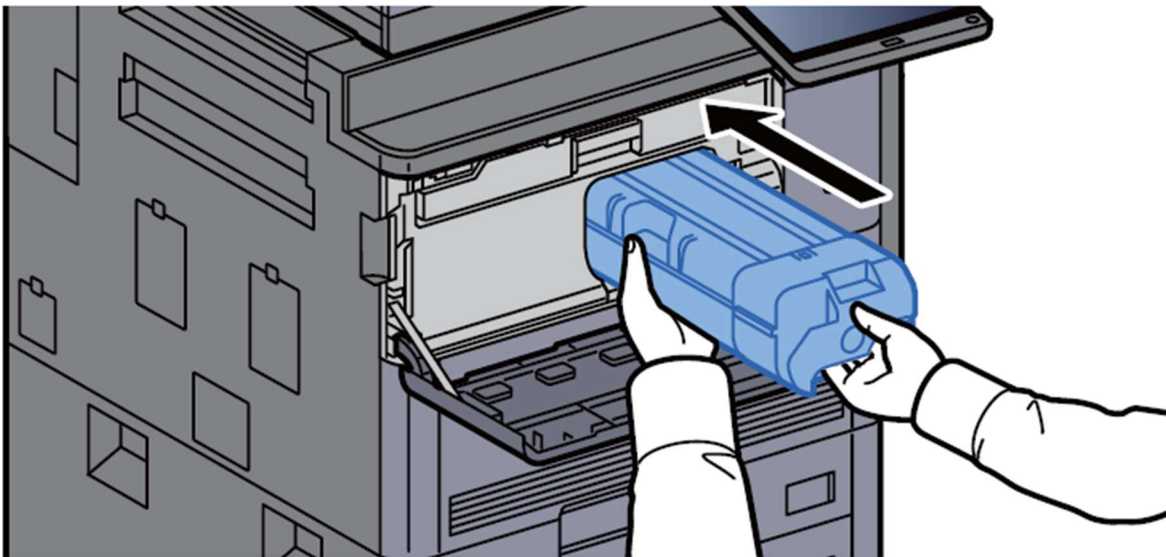
6 Tap the toner container.



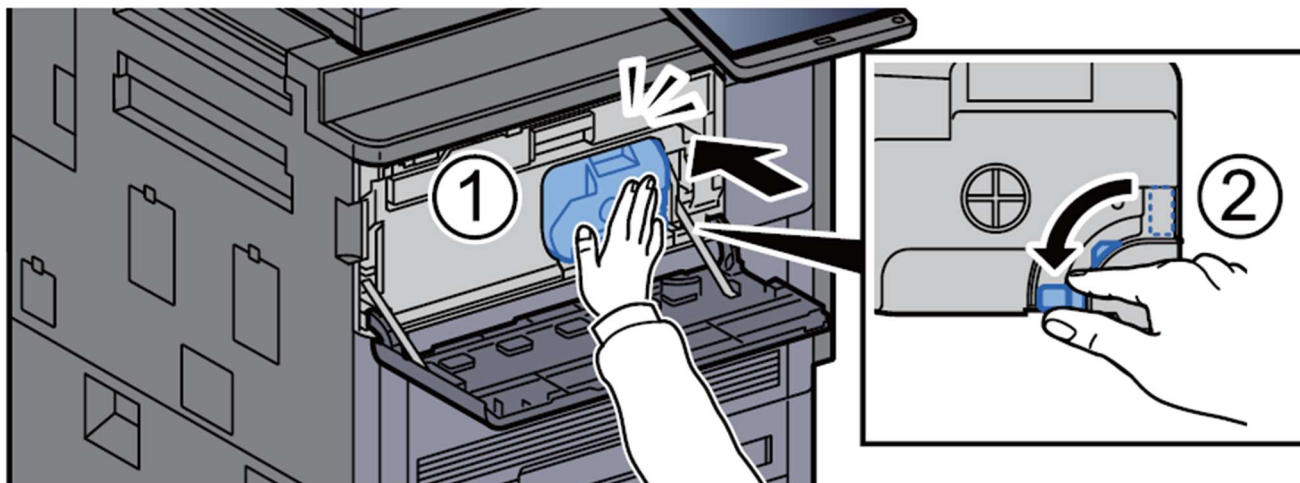
7 Shake the toner container.



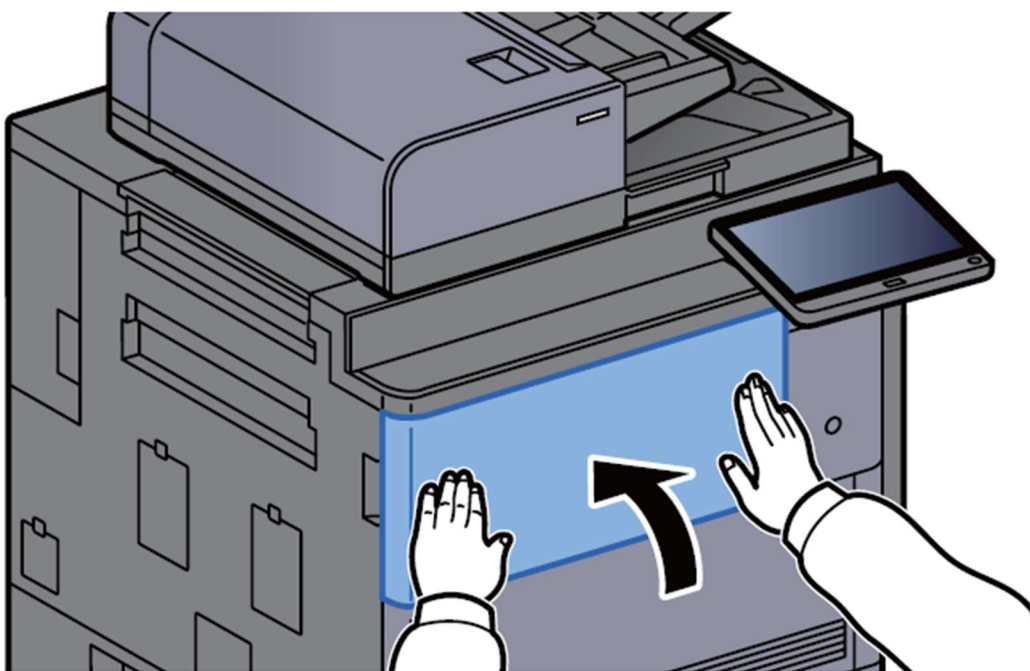
8 Install the toner container.



9 Turn the toner container release lever to the horizontal position.



10 Close the front cover.



NOTE

- If the front cover does not close, check that the new toner container is installed correctly.
- Return the exhausted toner container to your dealer or service representative. The collected toner container will be recycled or disposed in accordance with the relevant regulations.