

# Clearing Paper Jams

## Remove any jammed paper in the 4,000-sheet Finisher/100-sheet Staple Finisher (Inner)

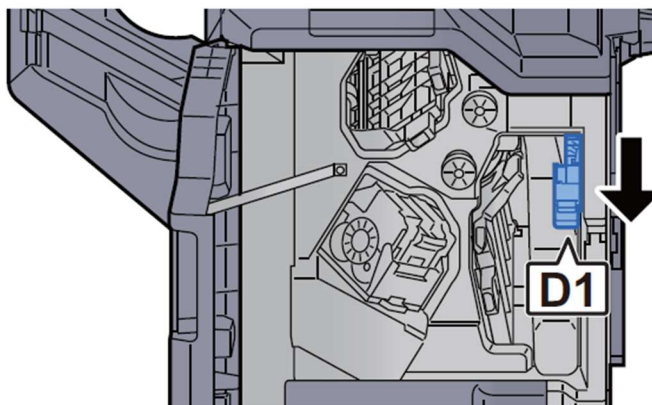
### CAUTION

- Do not reuse jammed papers.
- If the paper tears during removal, be sure to remove any loose scraps of paper from inside the machine. Scraps of paper left in the machine could cause subsequent jamming.

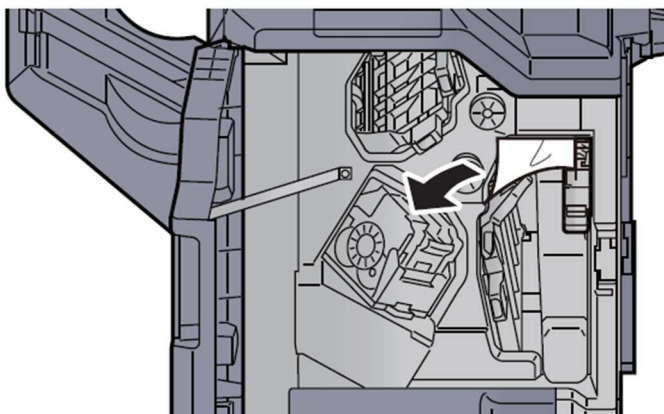
### 1 Open the finisher front cover 1.



### 2 Open the conveyor guide (D1).



**3 Remove any jammed paper.**



**4 Return the conveyor guide (D1) to the original position.**

