

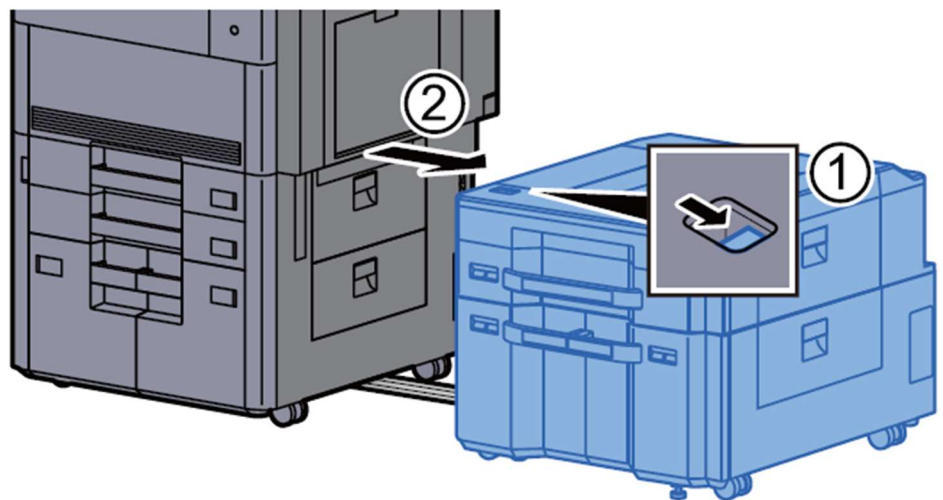
Clearing Paper Jams

Remove any jammed paper in Cassette 7 (Large Capacity Side Feeder (500, 1,500-sheet×2))

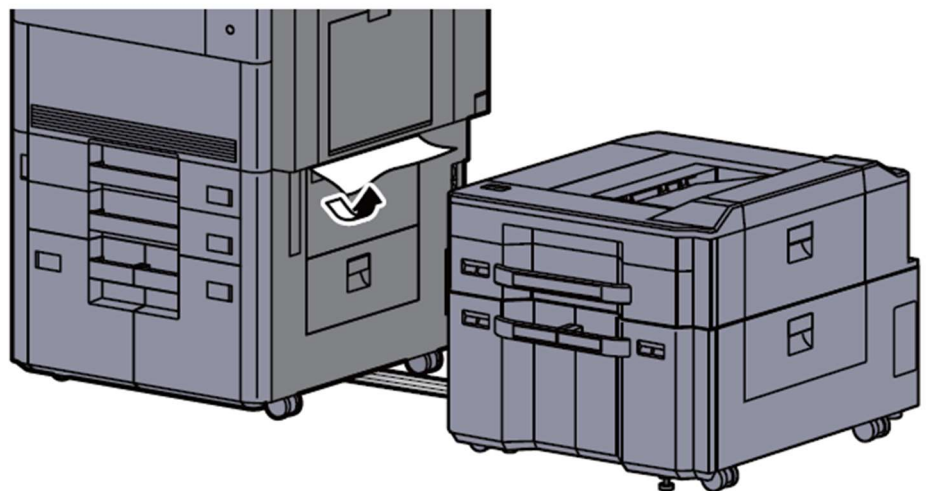
CAUTION

- Do not reuse jammed papers.
- If the paper tears during removal, be sure to remove any loose scraps of paper from inside the machine. Scraps of paper left in the machine could cause subsequent jamming.

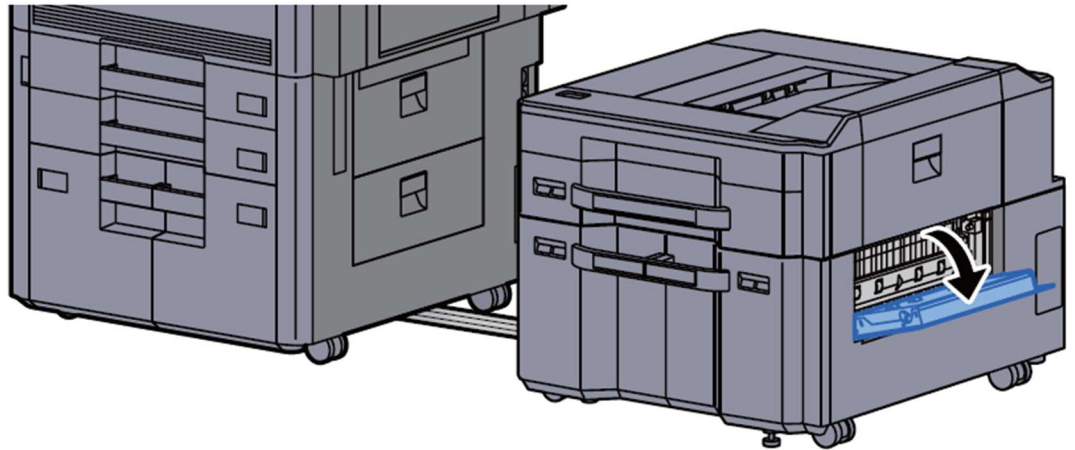
1 Detach the side feeder.



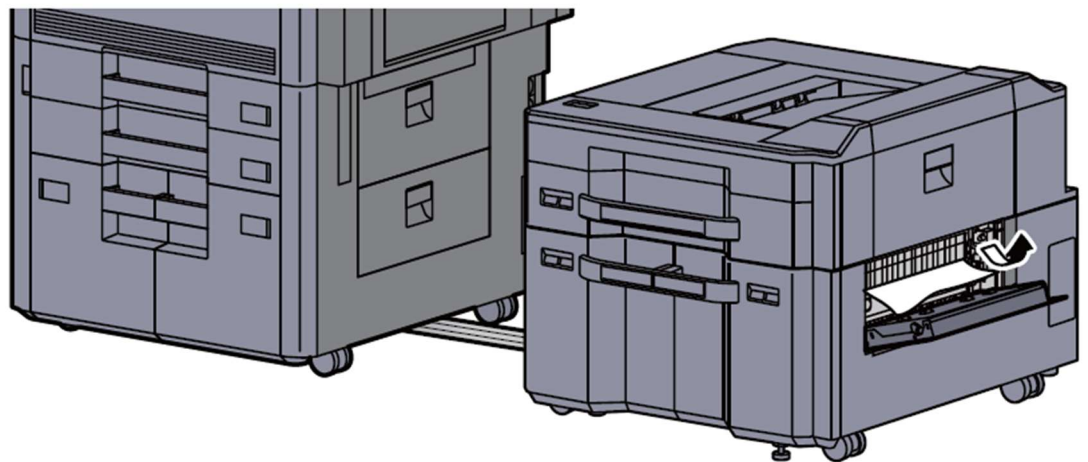
2 Remove any jammed paper.



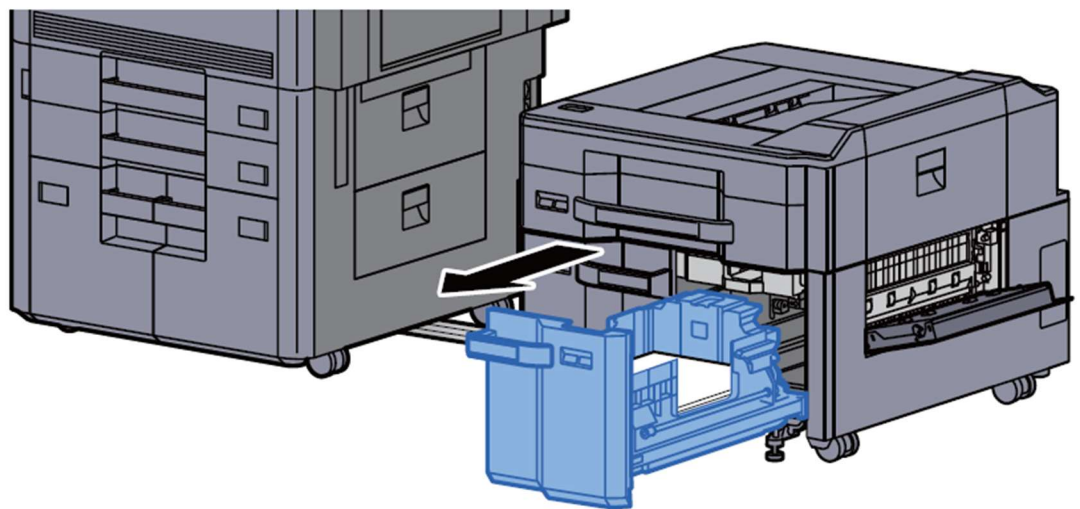
3 Open the side feeder right cover 2.



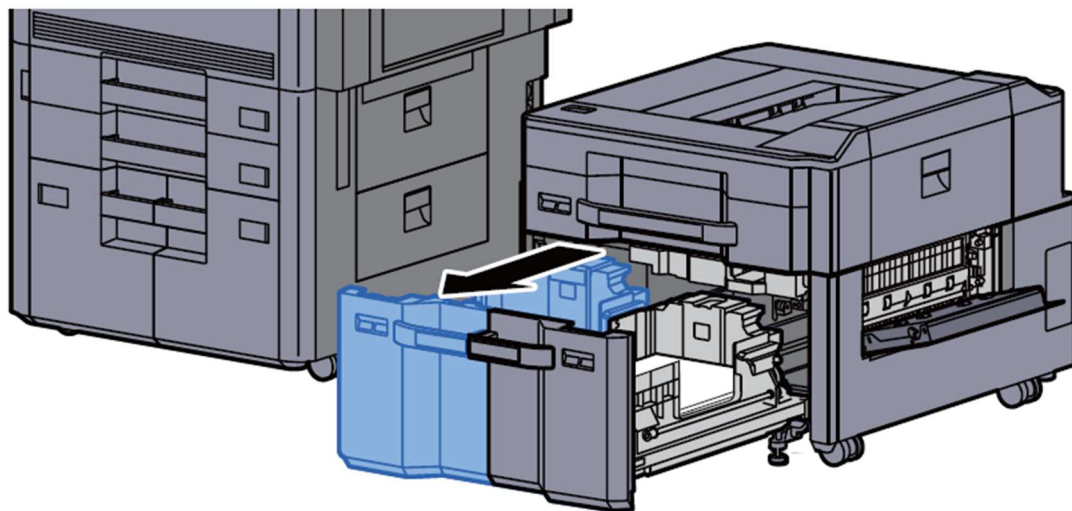
4 Remove any jammed paper.



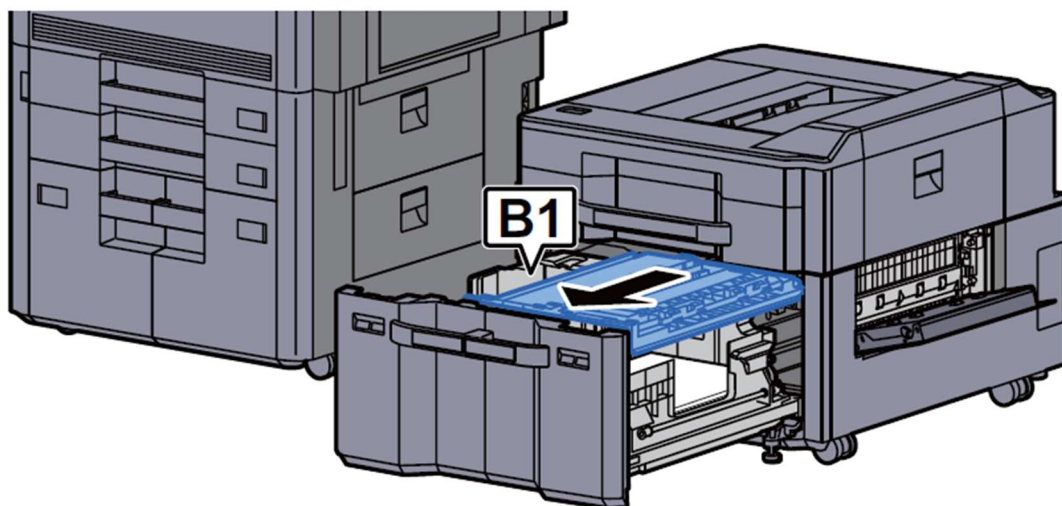
5 Pull Cassette 6 out toward you until it stops.



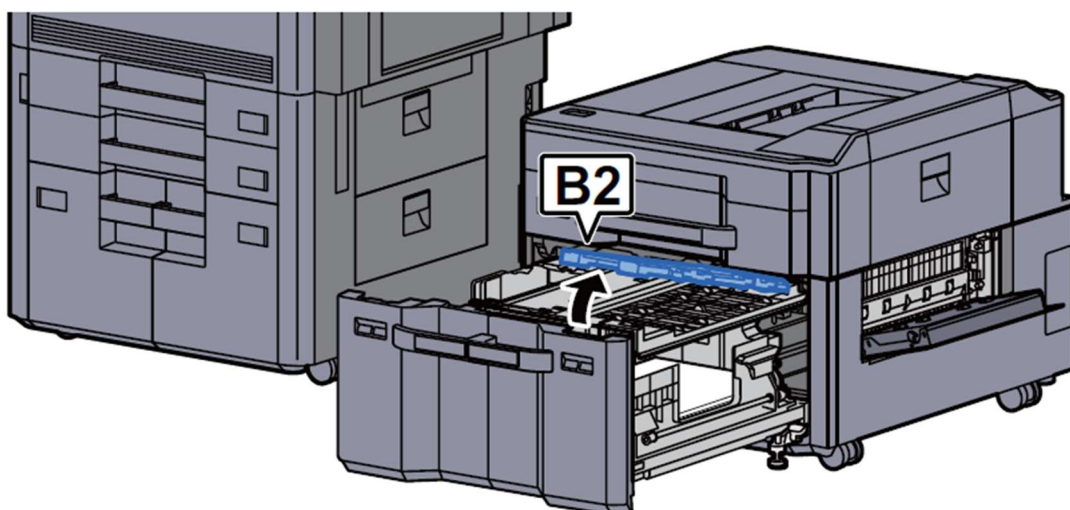
6 Pull Cassette 7 out toward you until it stops.



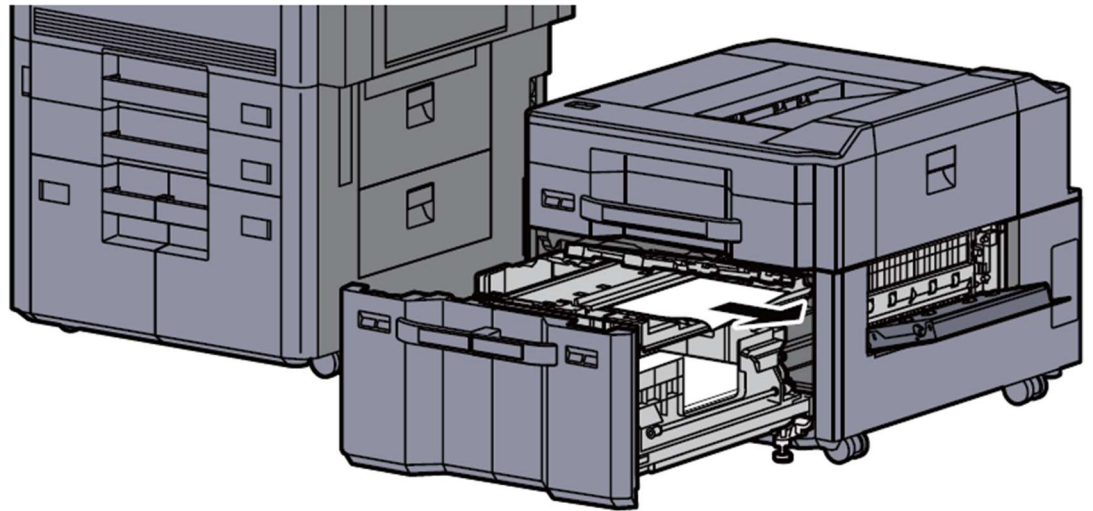
7 Pull out side feeder paper feed unit (B1).



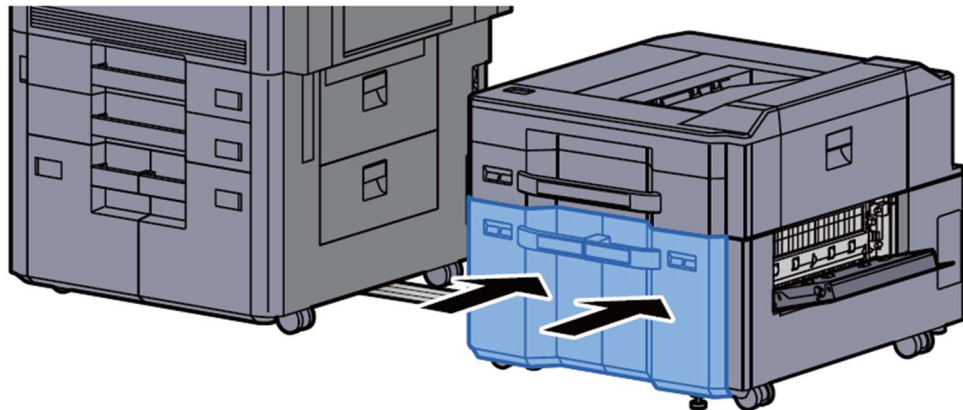
8 Open cover (B2).



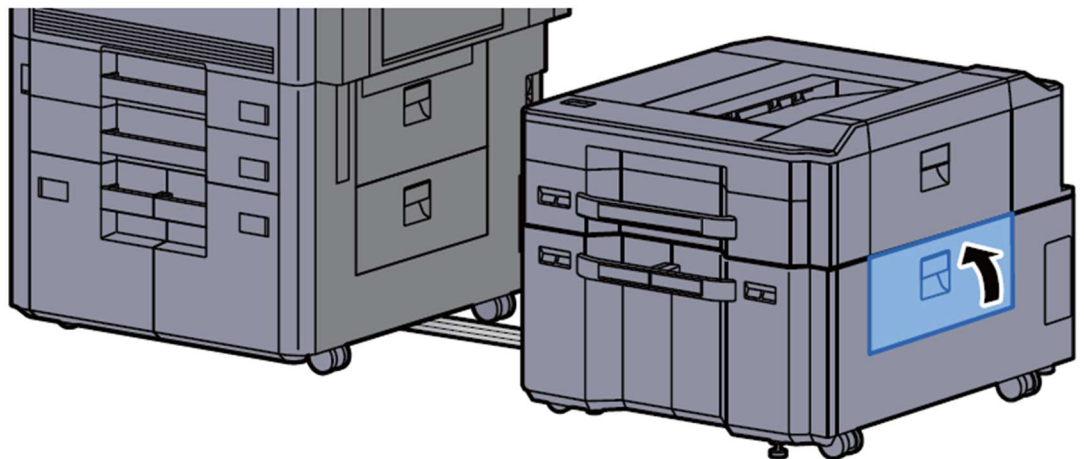
9 Remove any jammed paper.



10 Push the paper feed unit, Cassette 6 and Cassette 7 back in.



11 Return the cover to the original position.



12 Return the side feeder to the original position.

