

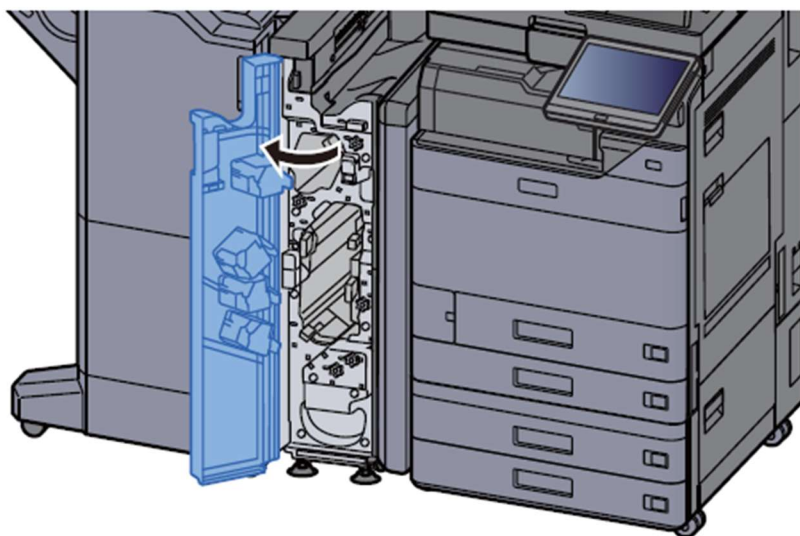
Remove any jammed paper in the Z-fold unit

CAUTION

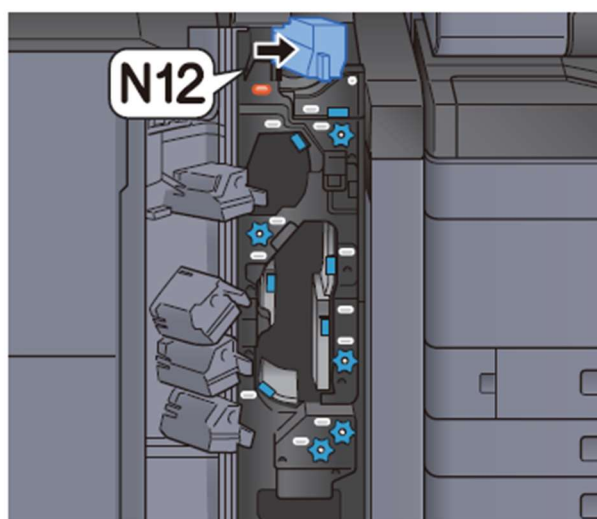
- Do not reuse jammed papers.
- If the paper tears during removal, be sure to remove any loose scraps of paper from inside the machine. Scraps of paper left in the machine could cause subsequent jamming.

Folding machine tray output

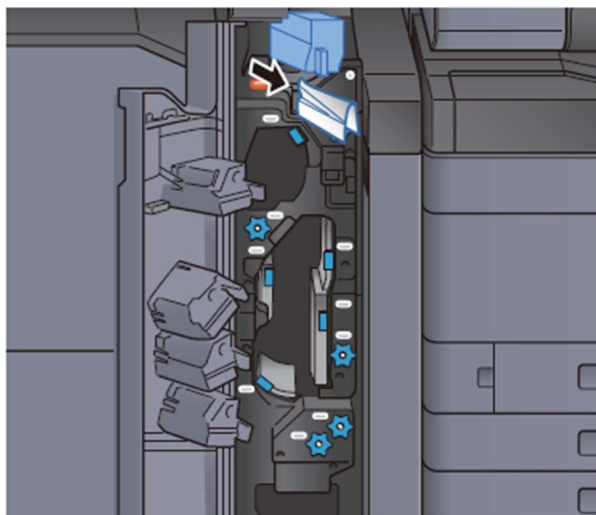
1 Open the front cover.



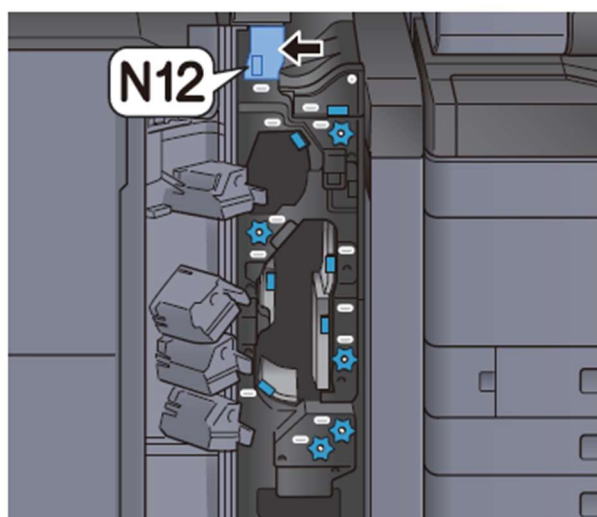
2 Open the transport guide (N12).



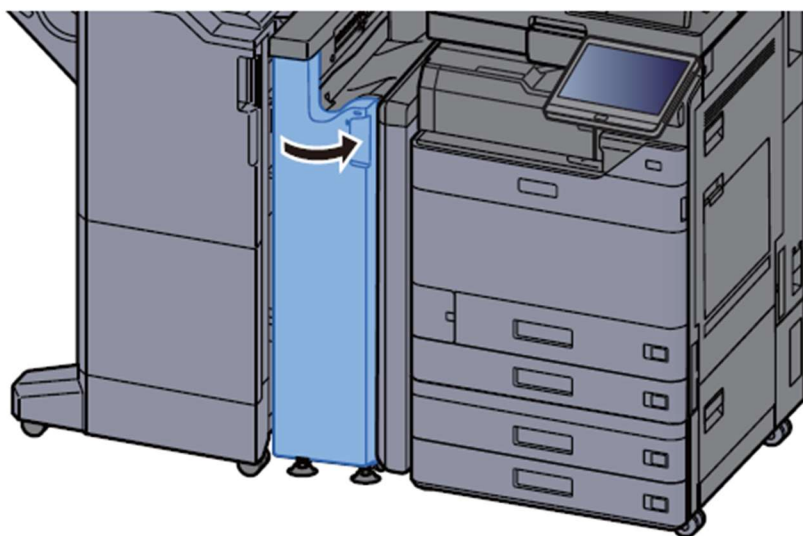
3 Remove any jammed paper.



4 Return the transport guide (N12) to the original position.

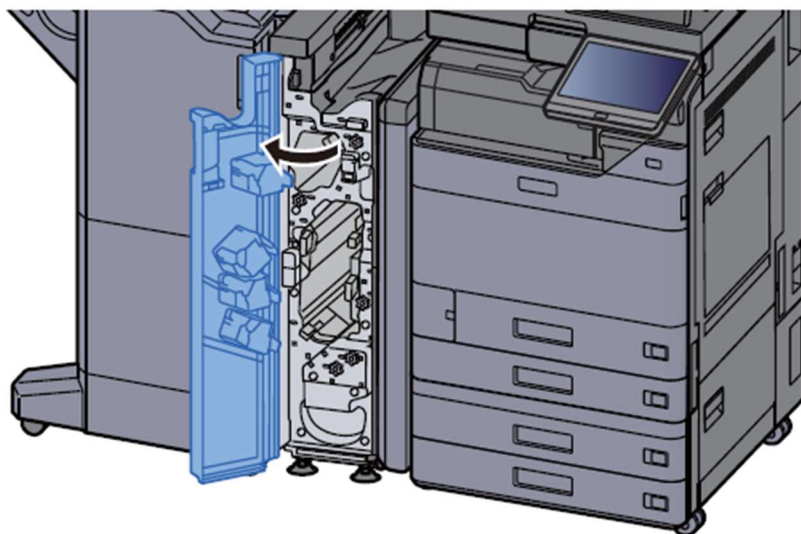


5 Close the front cover.

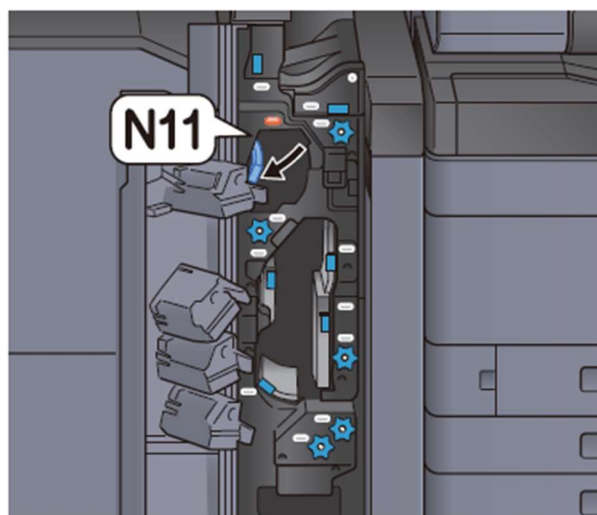


Relay transport guide plate

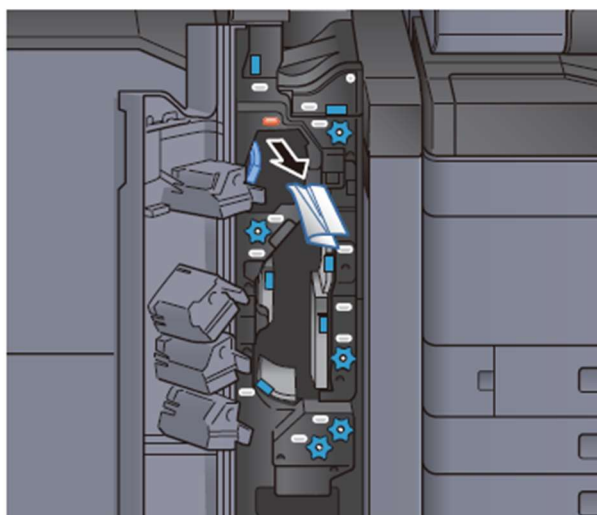
- 1 Open the front cover.



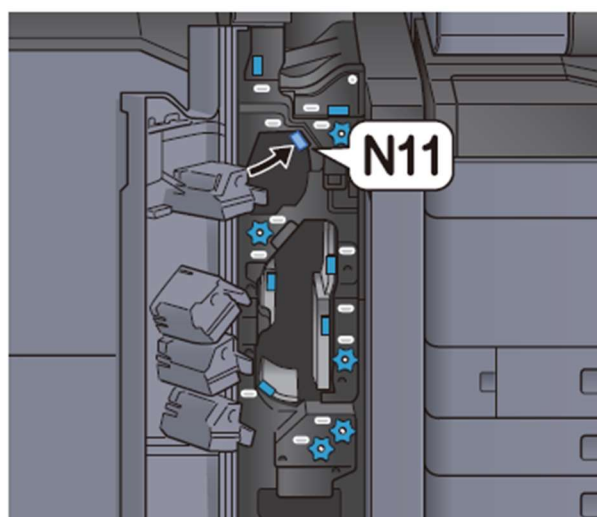
- 2 Open the transport guide (N11).



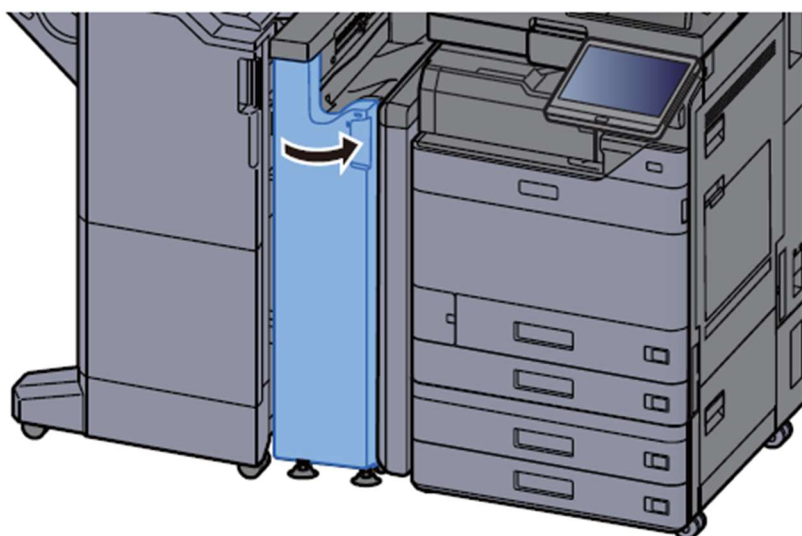
3 Remove any jammed paper.



4 Return the transport guide (N11) to the original position.

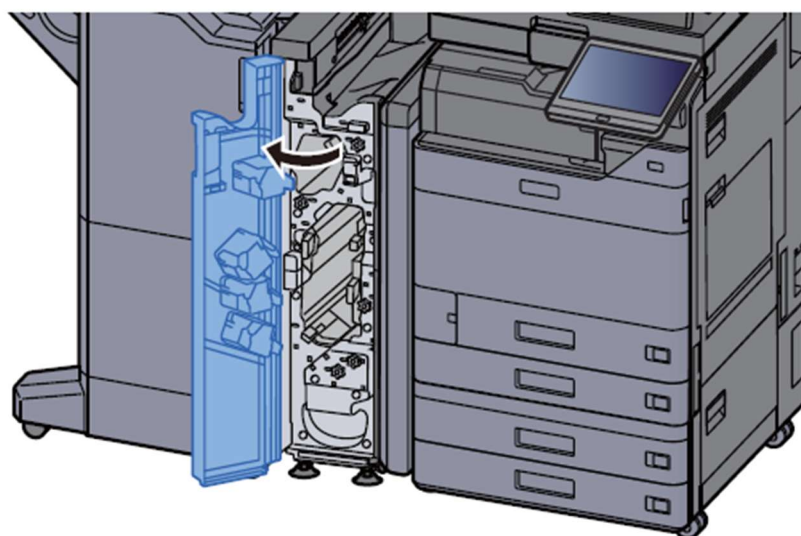


5 Close the front cover.

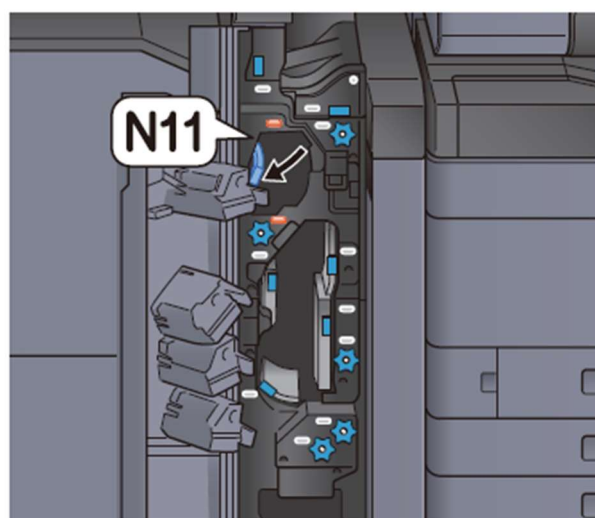


Paper transport roller knob

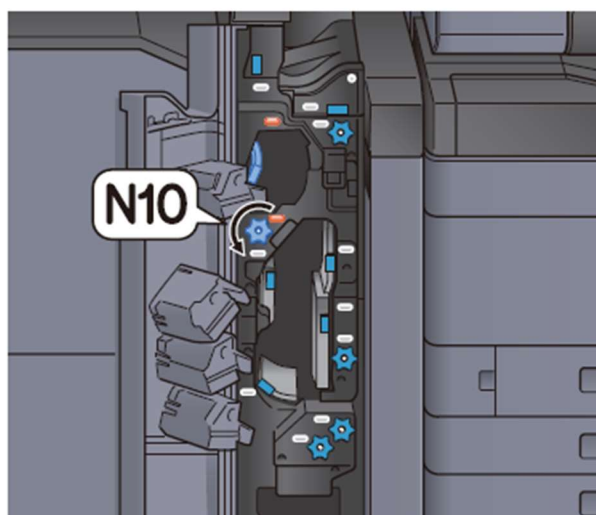
- 1 Open the front cover.



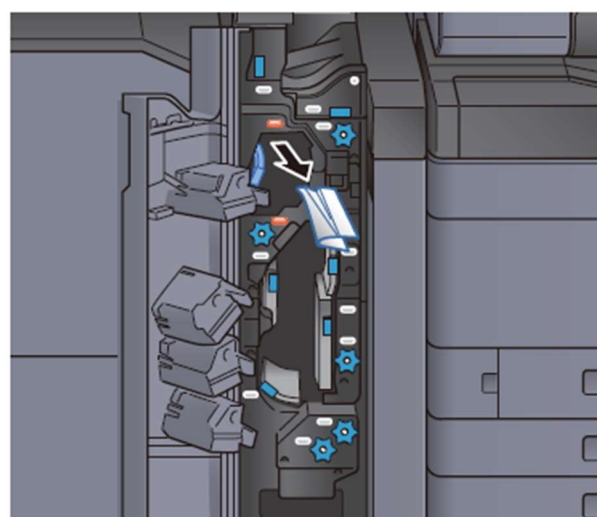
- 2 Open the transport guide (N11).



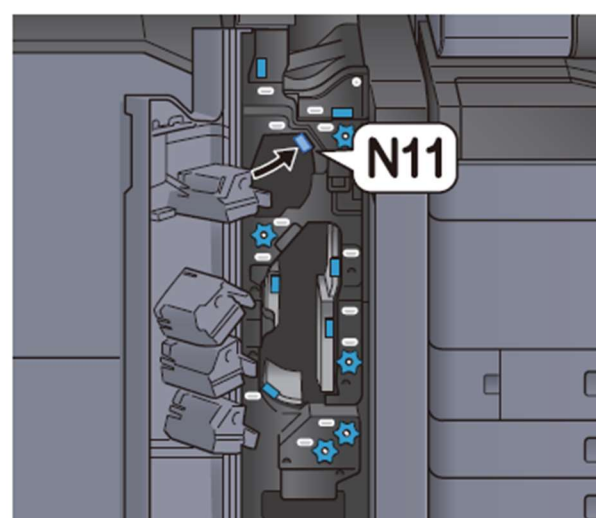
3 Turn knob (N10).



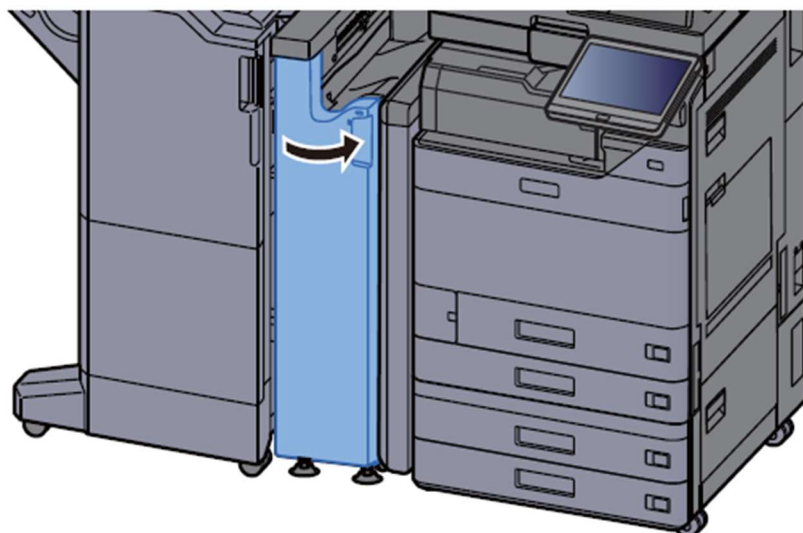
4 Take out the jammed paper.



5 Return the transport guide (N11) to the original position.

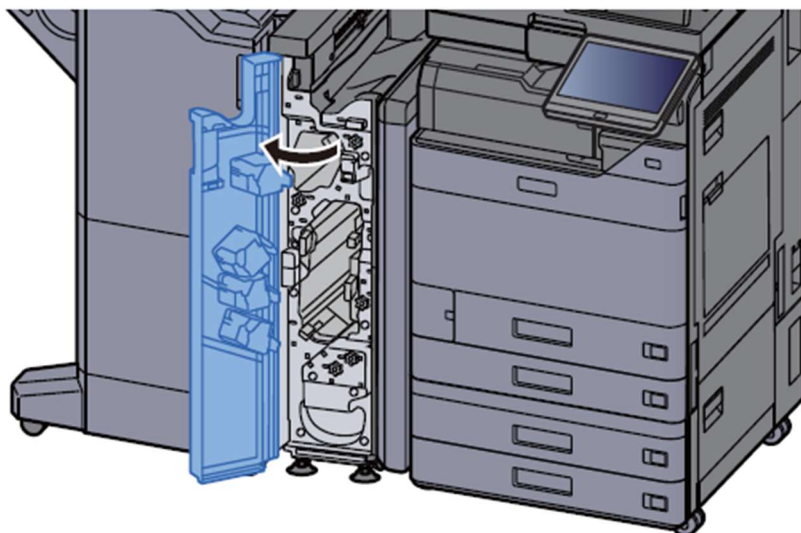


6 Close the front cover.

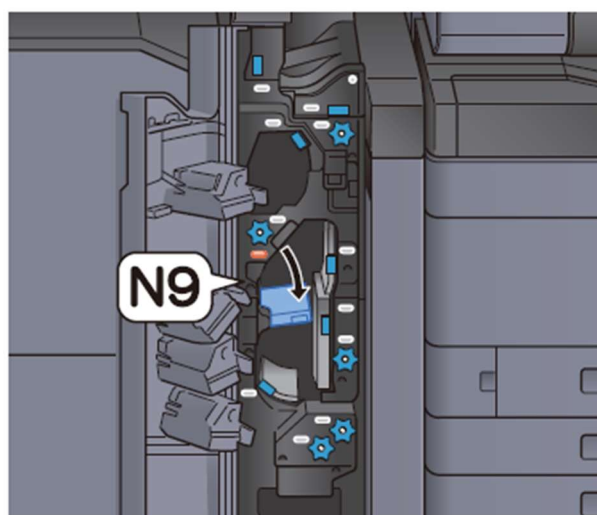


Additional folding guide plate

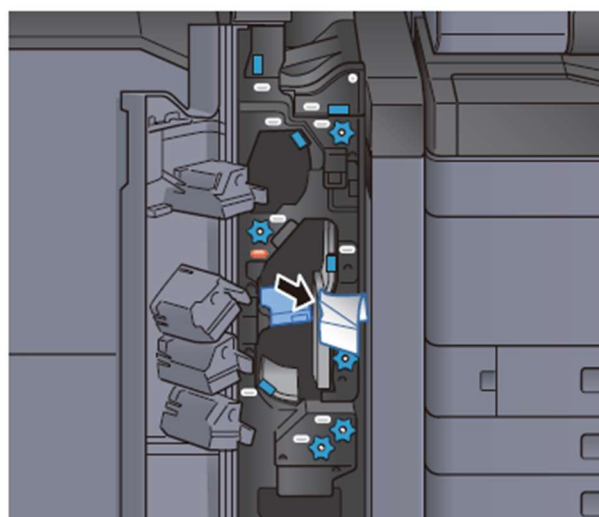
- 1 Open the front cover.



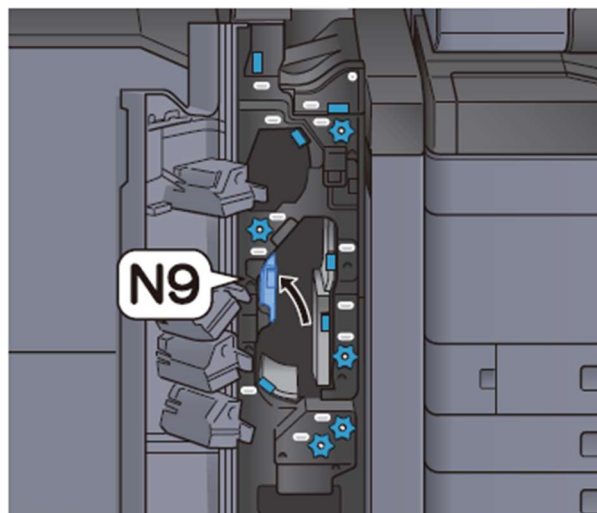
- 2 Open the transport guide (N9).



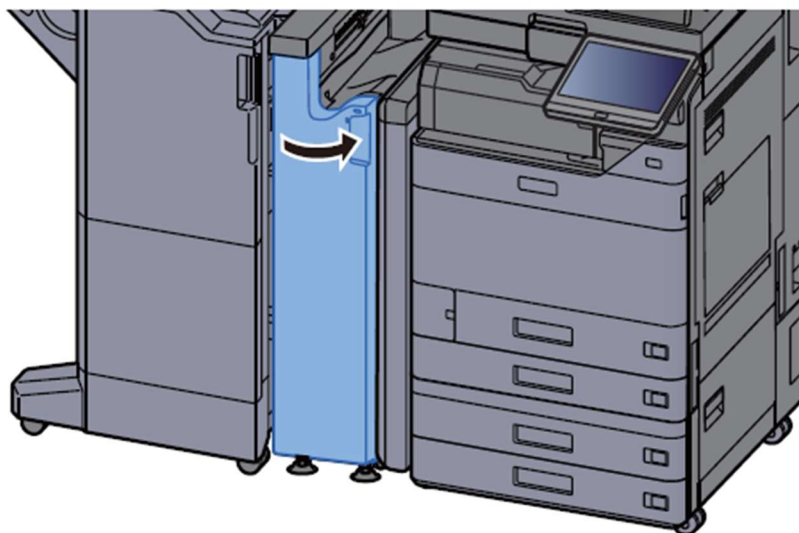
- 3 Remove any jammed paper.



4 Return the transport guide (N9) to the original position.

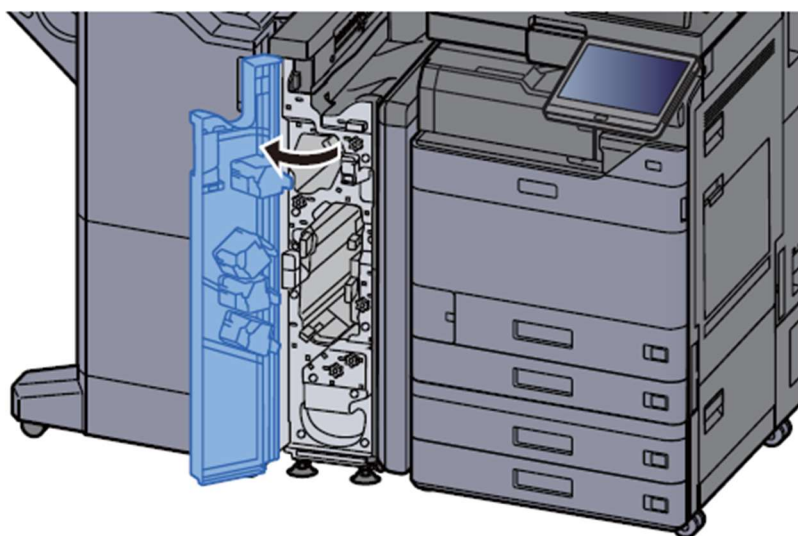


5 Close the front cover.

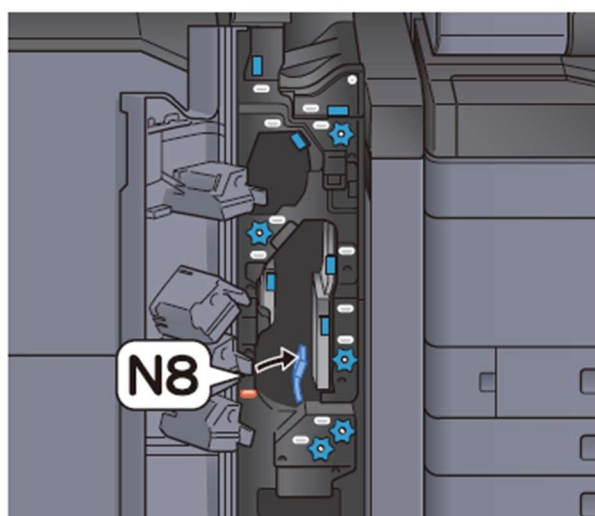


Post-folding transport guide plate

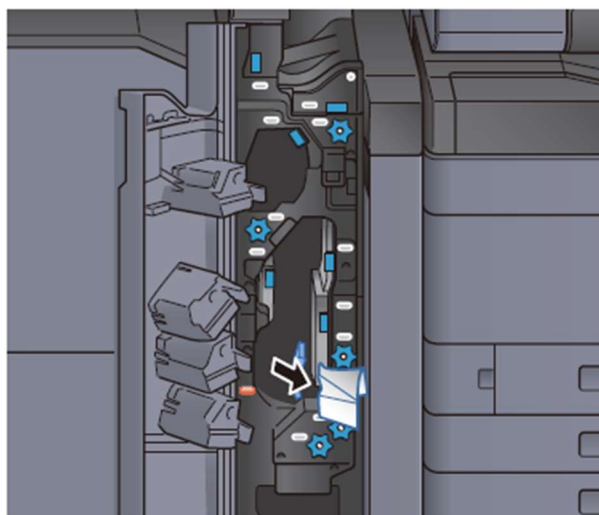
- 1 Open the front cover.



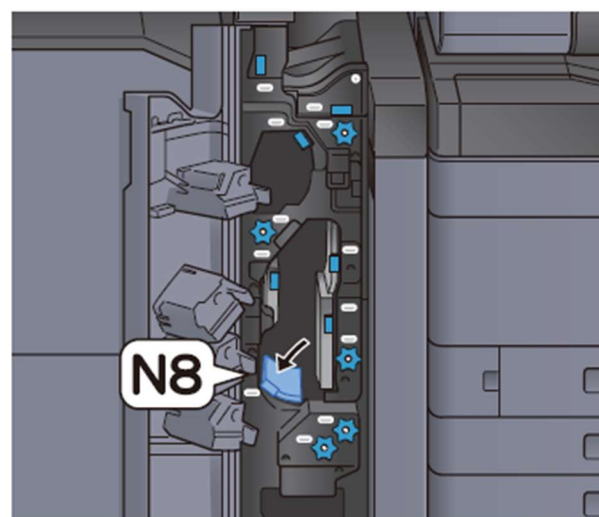
- 2 Open the transport guide (N8).



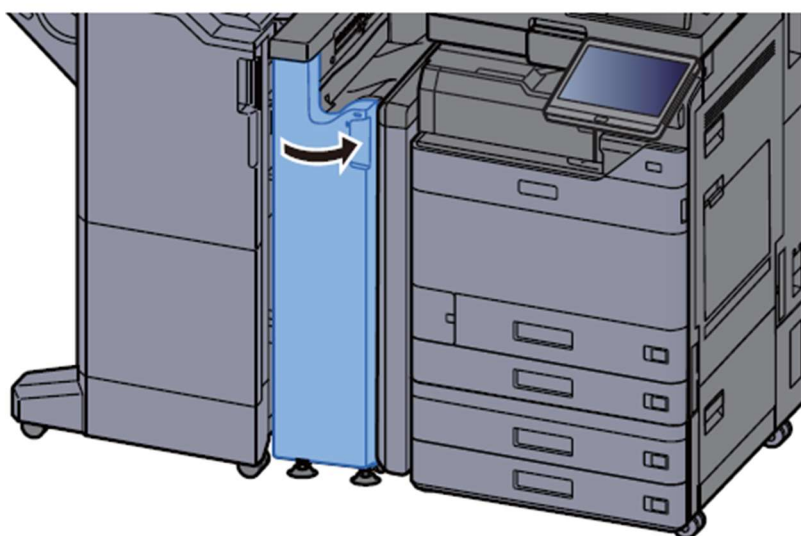
3 Remove any jammed paper.



4 Return the transport guide (N8) to the original position.

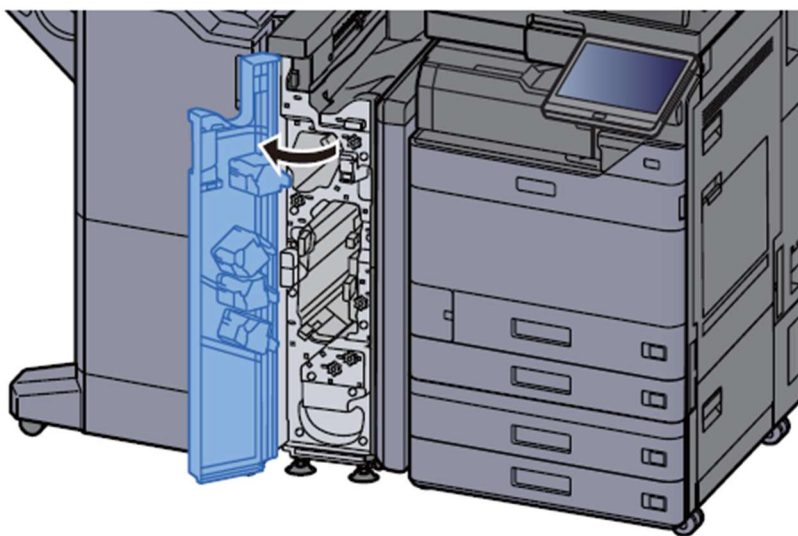


5 Close the front cover.

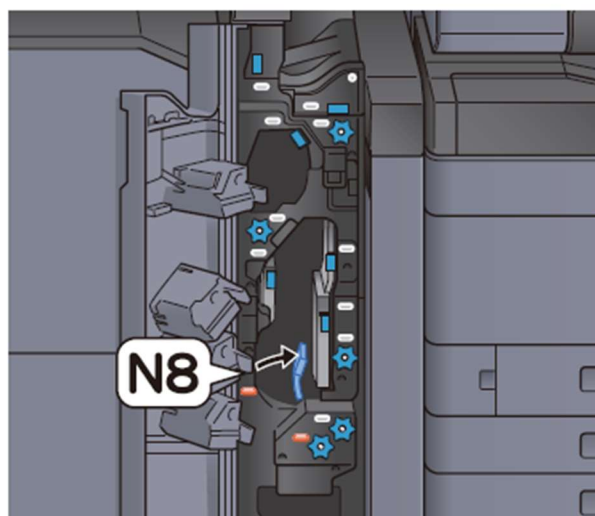


Folding roller knob

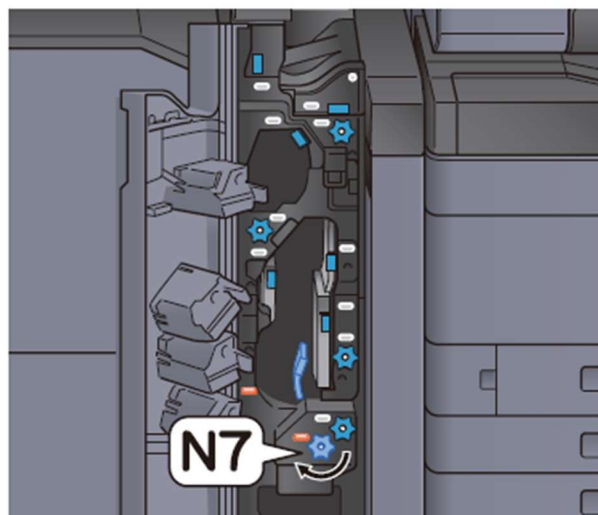
- 1 Open the front cover.



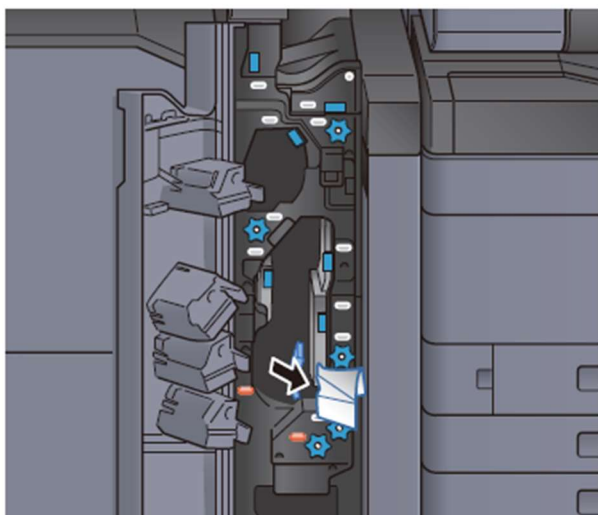
- 2 Open the transport guides (N8).



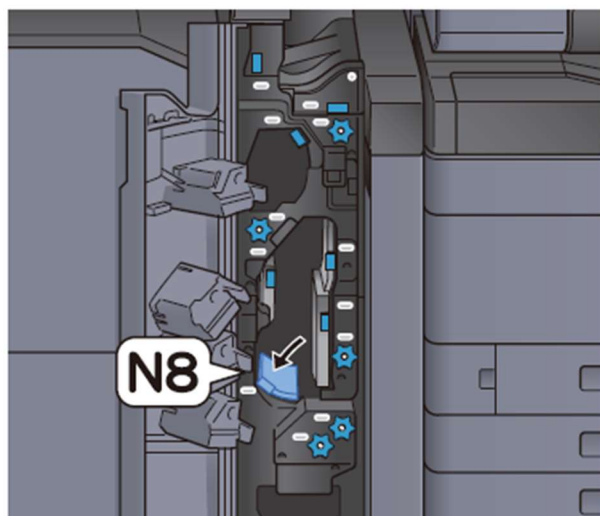
3 Turn knob (N7).



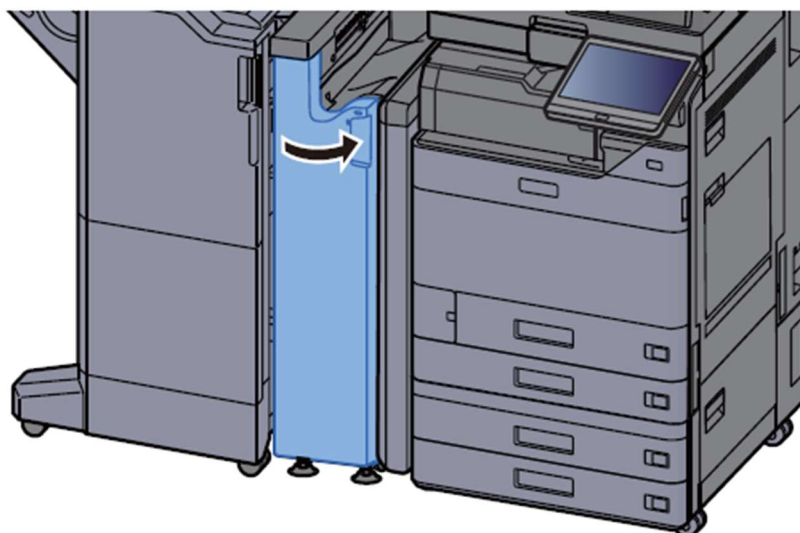
4 Take out the jammed paper.



5 Return the transport guide (N8) to the original position.

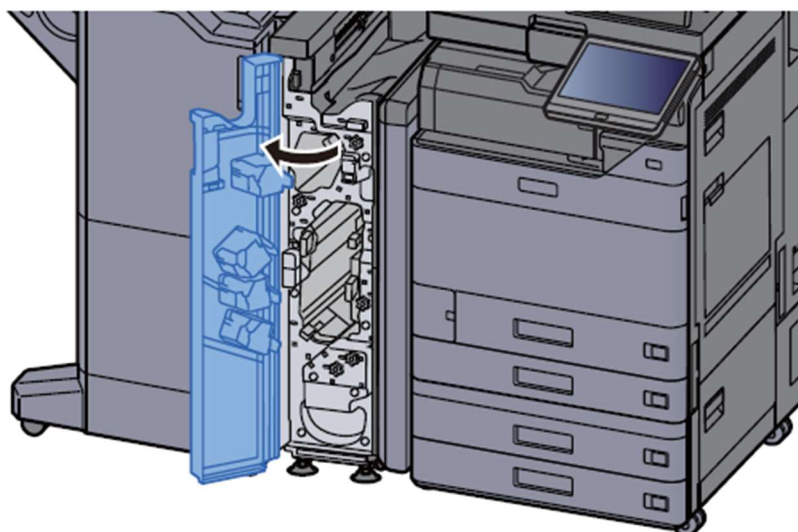


6 Close the front cover.

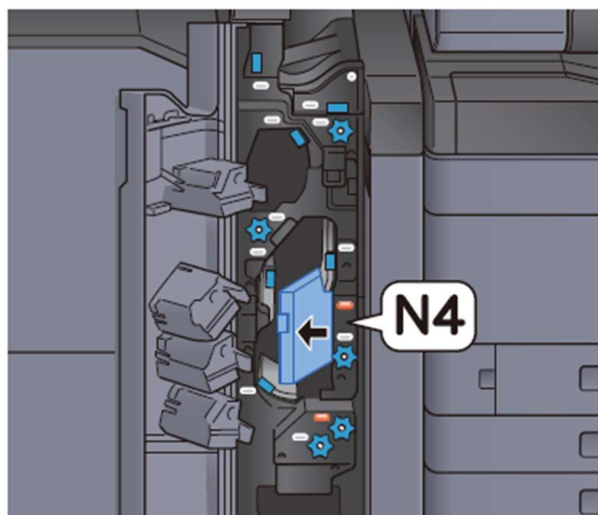


Registration roller knob

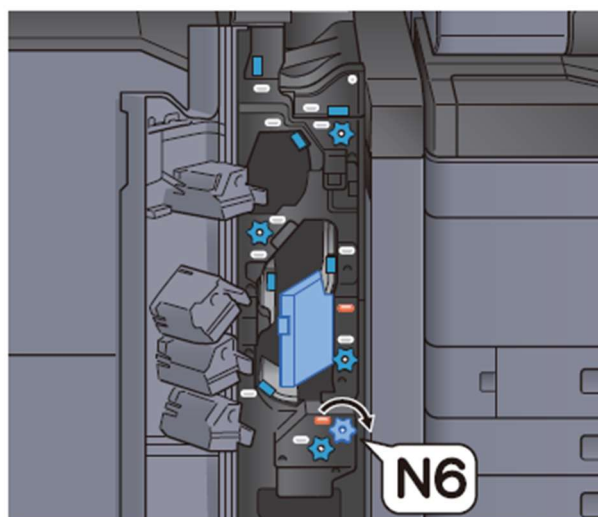
1 Open the front cover.



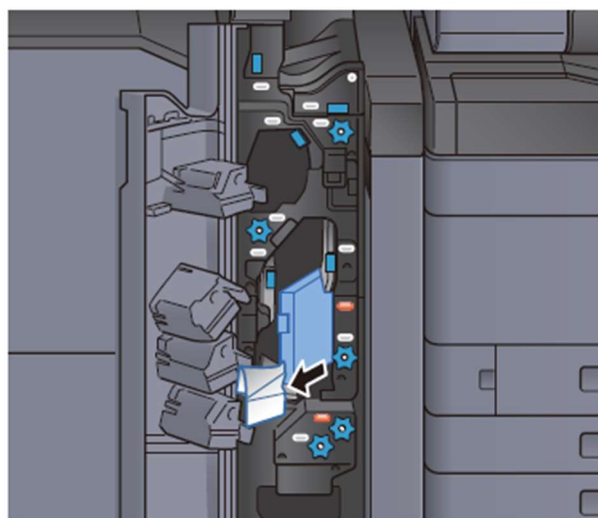
2 Open the transport guides (N4).



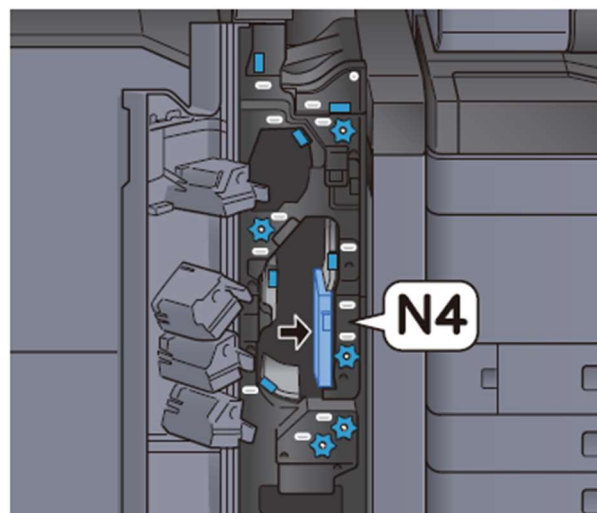
3 Turn knob (N6).



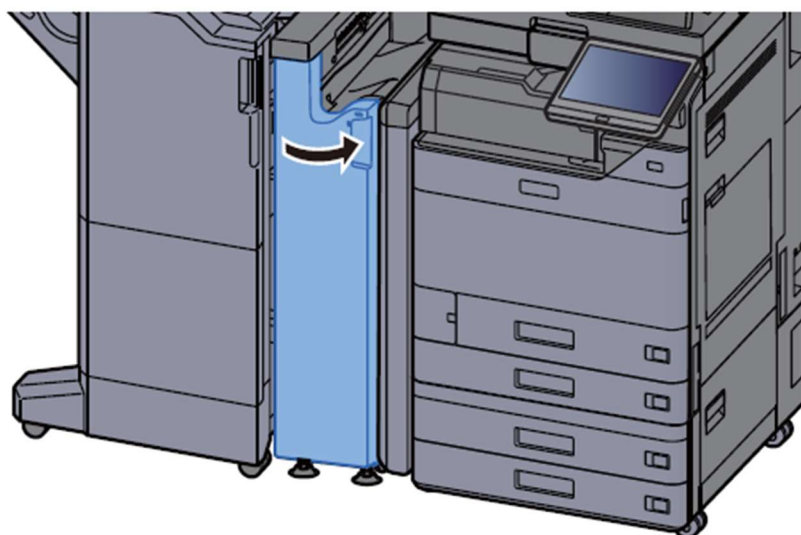
4 Remove any jammed paper.



5 Return the transport guide (N4) to the original position.

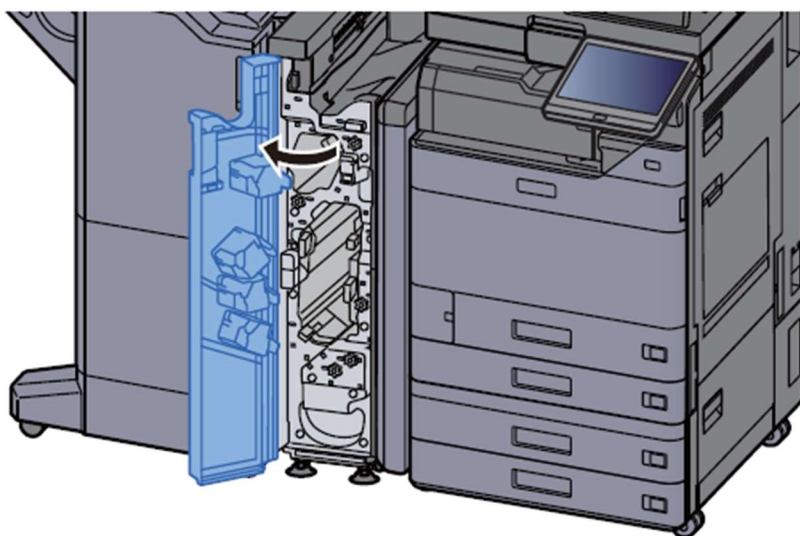


6 Close the front cover.

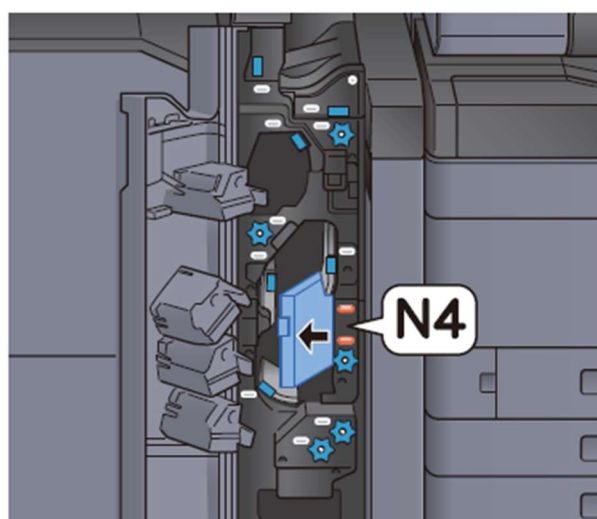


Paper stack roller knob

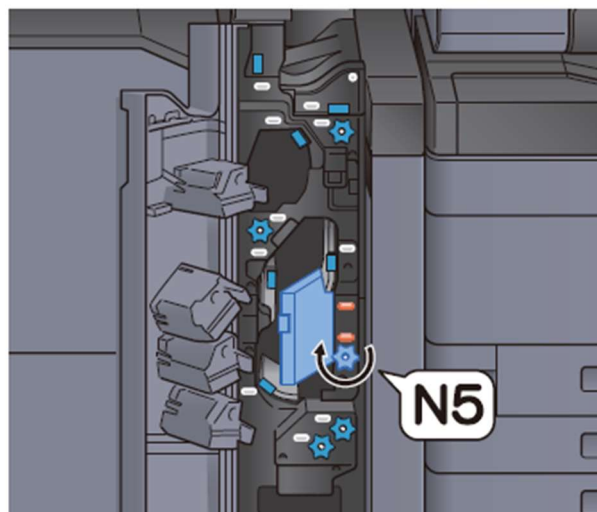
- 1 Open the front cover.



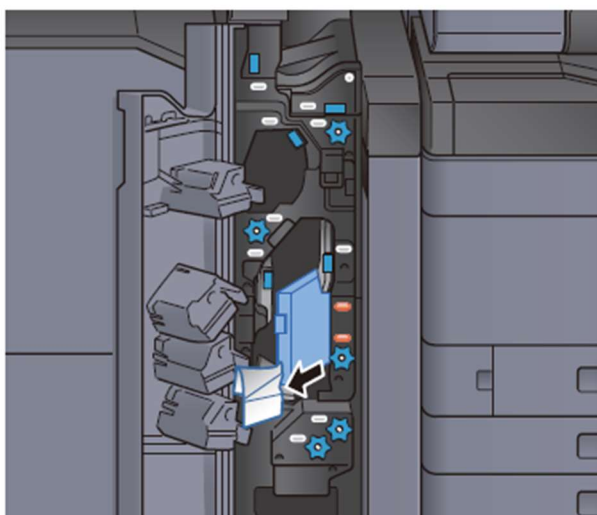
- 2 Open the transport guides (N4).



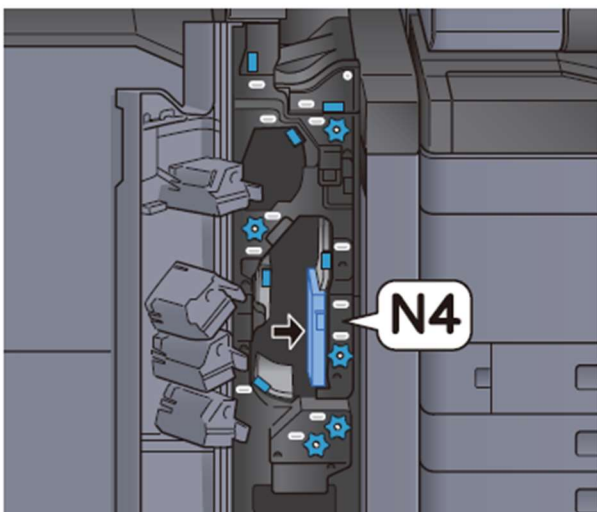
3 Turn knob (N5).



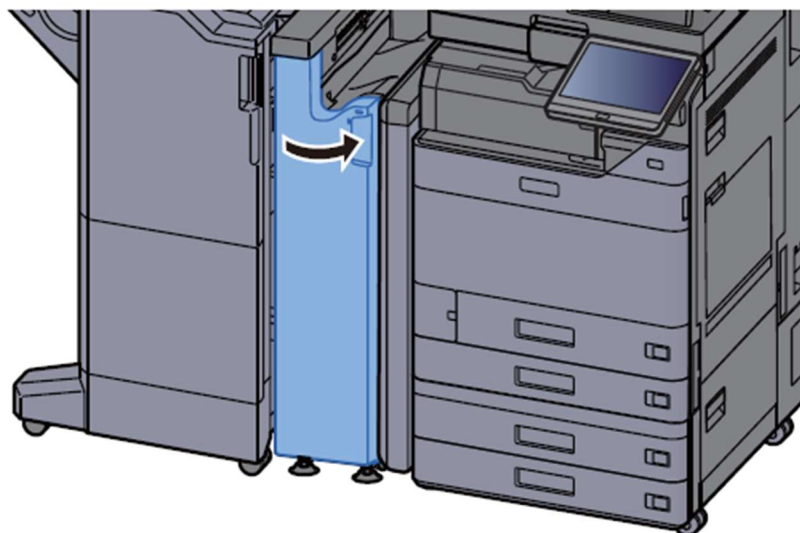
4 Remove any jammed paper.



5 Return the transport guide (N4) to the original position.

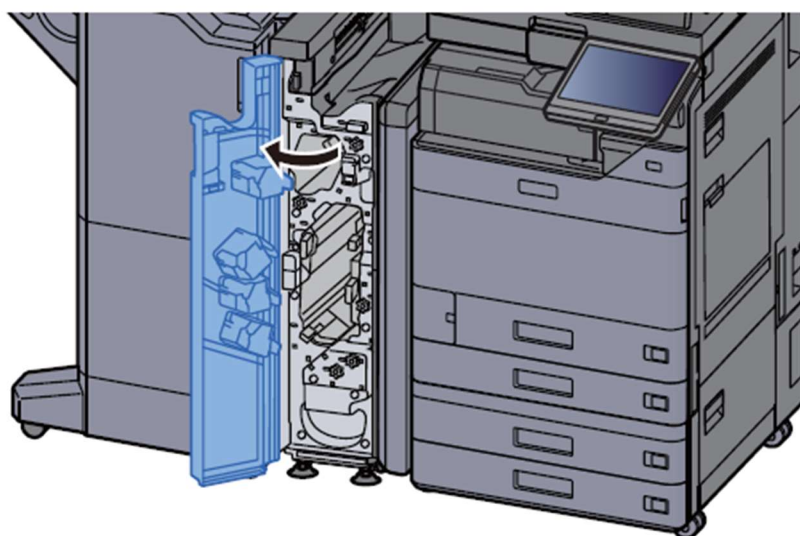


6 Close the front cover.

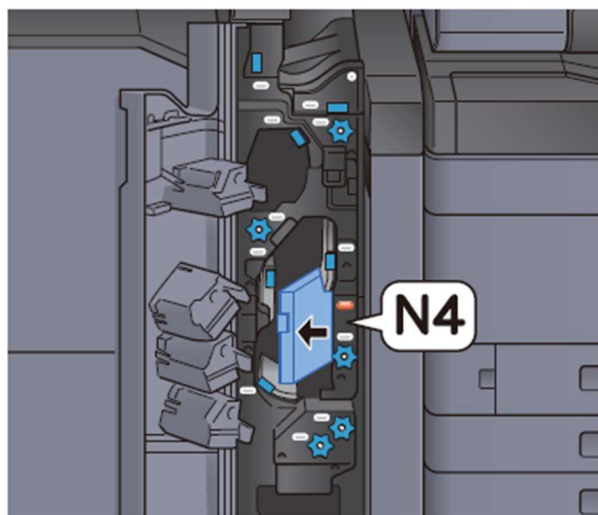


Resist transfer guide plate

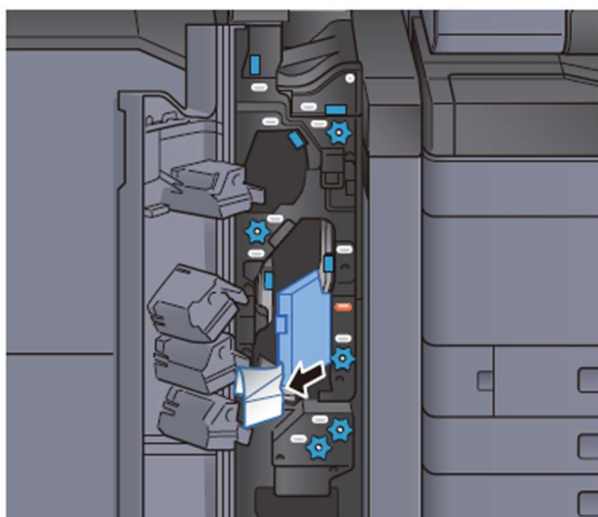
1 Open the front cover.



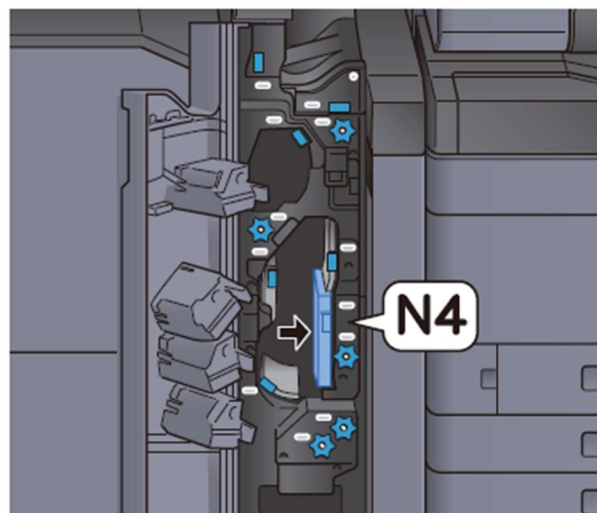
2 Open the transport guides (N4).



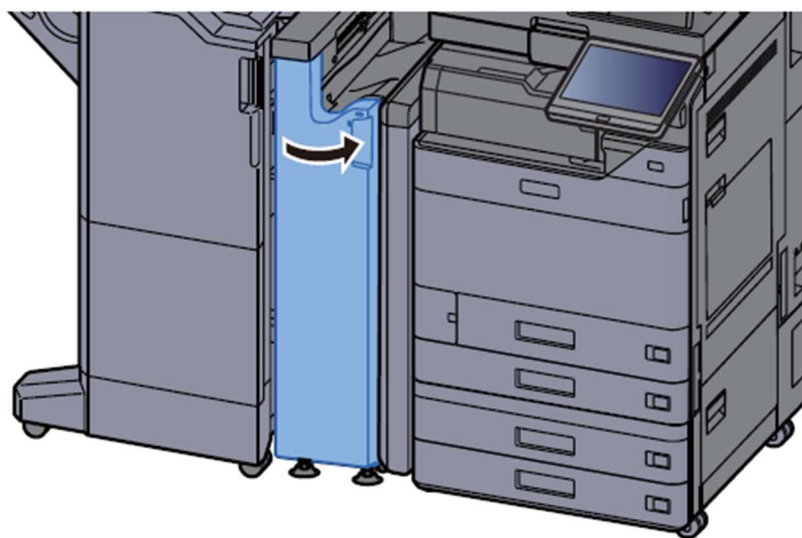
3 Remove any jammed paper.



4 Return the transport guide (N4) to the original position.

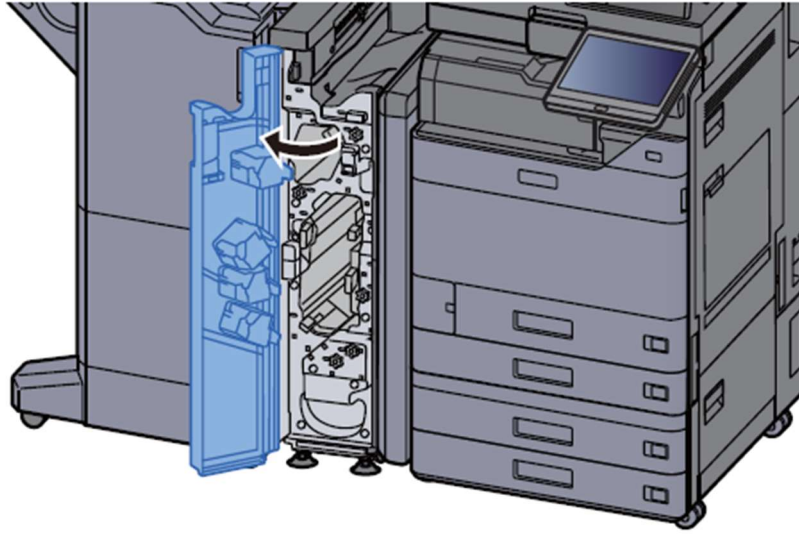


5 Close the front cover.

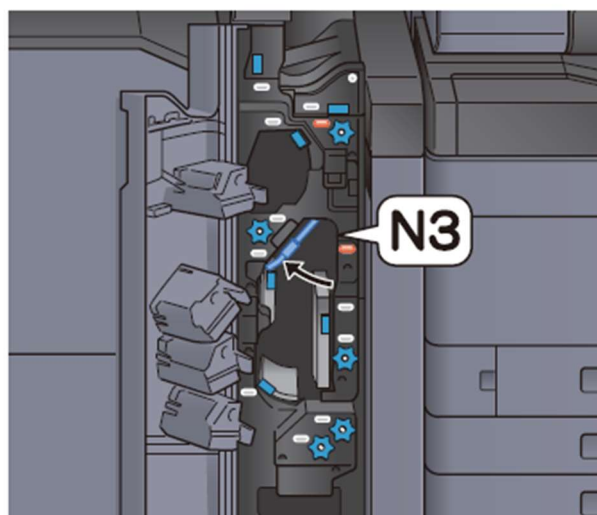


Pre-registration transport guide plate

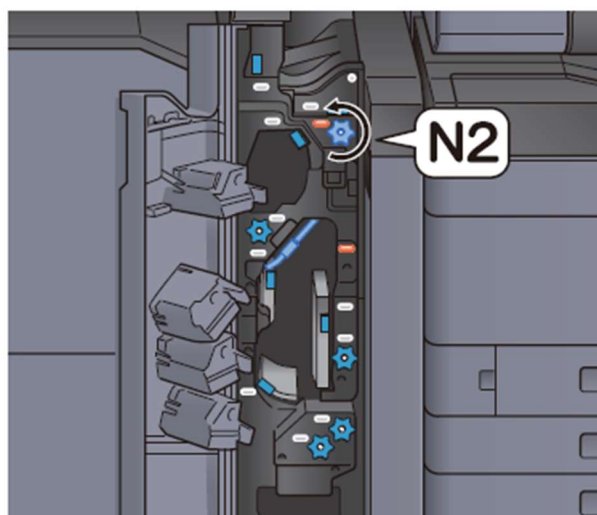
- 1 Open the front cover.



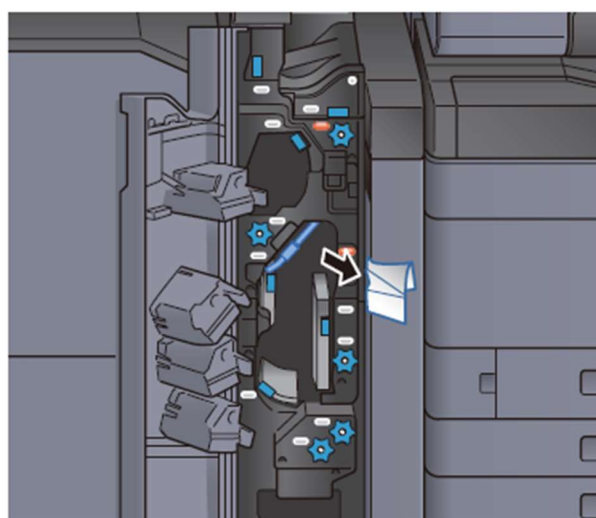
2 Open the transport guides (N3).



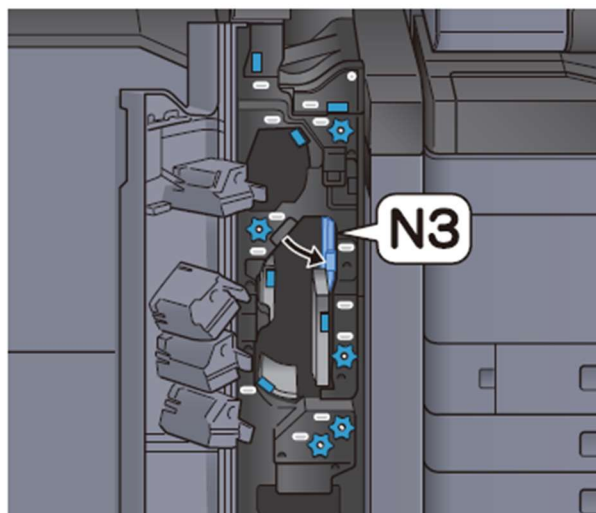
3 Turn knob (N2).



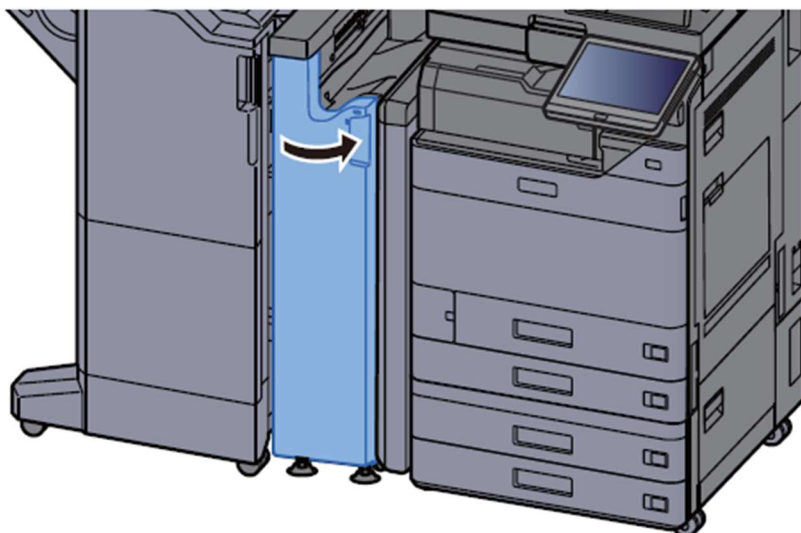
4 Remove any jammed paper.



- 5** Return the transport guide (N3) to the original position.

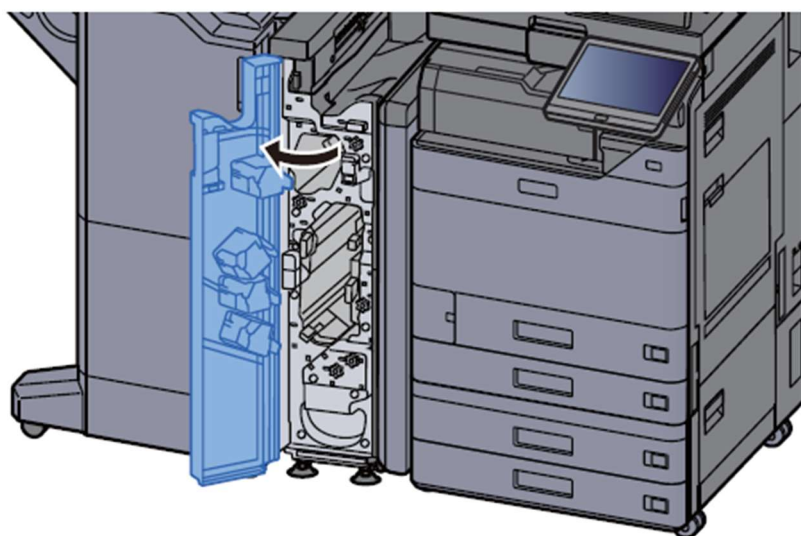


- 6** Close the front cover.

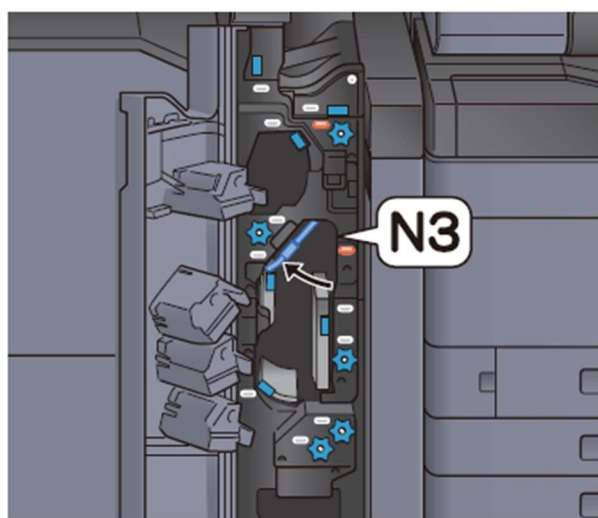


Z-fold unit Clear paper jam

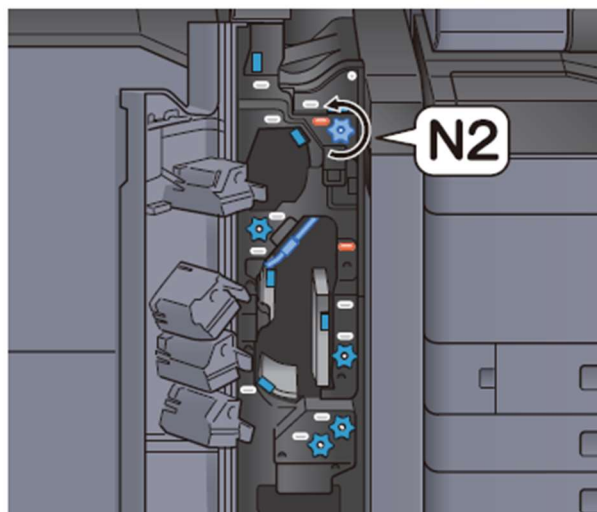
- 1 Open the front cover.



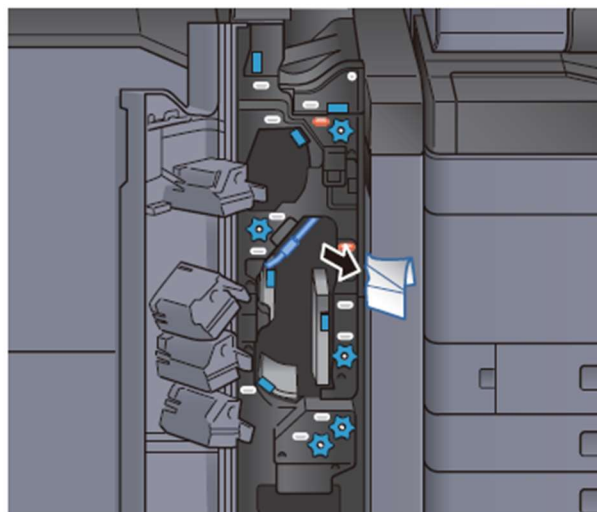
- 2 Open the transport guides (N3).



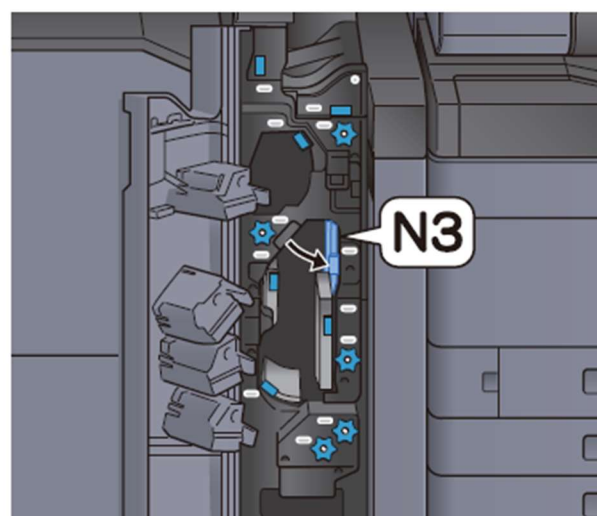
3 Turn knob (N2).



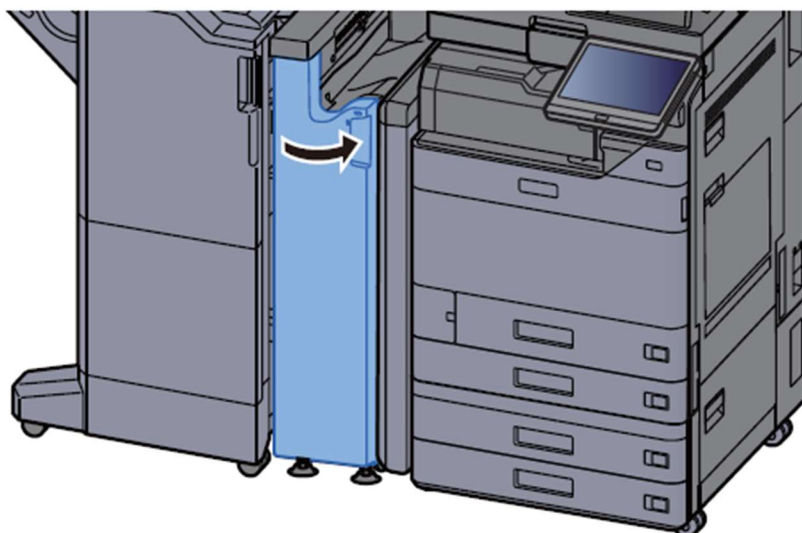
4 Remove any jammed paper.



5 Return the transport guide (N3) to the original position.

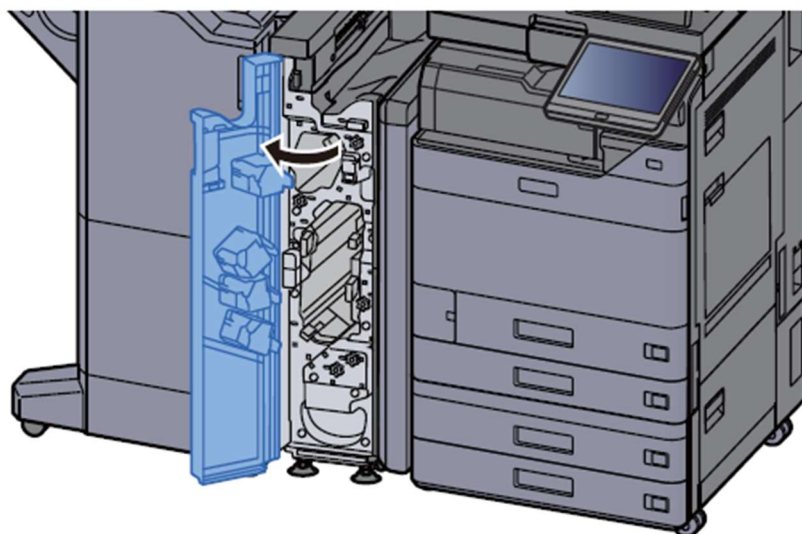


6 Close the front cover.

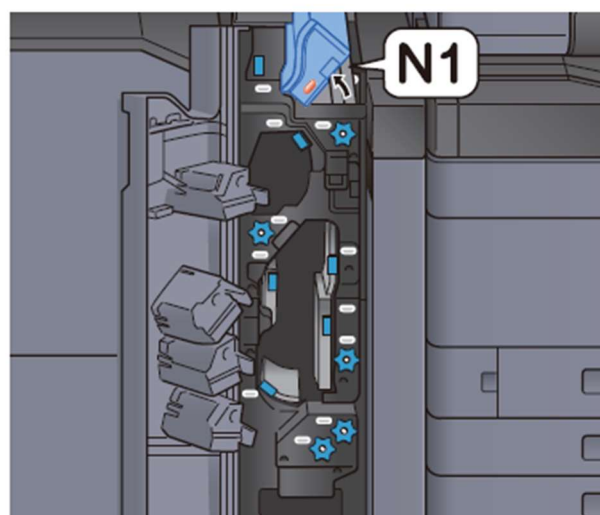


Entrance guide plate

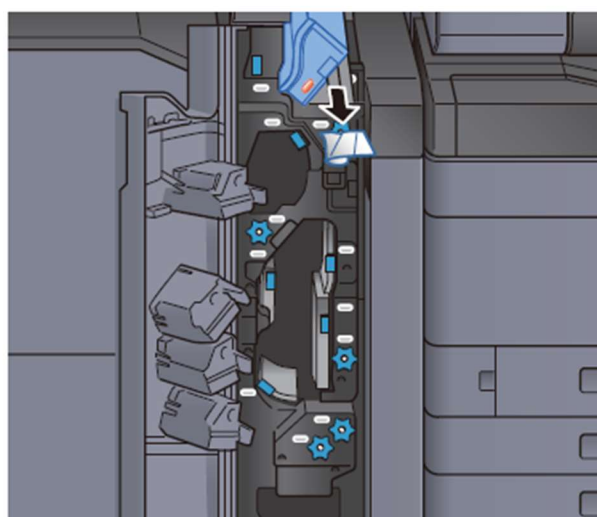
1 Open the front cover.



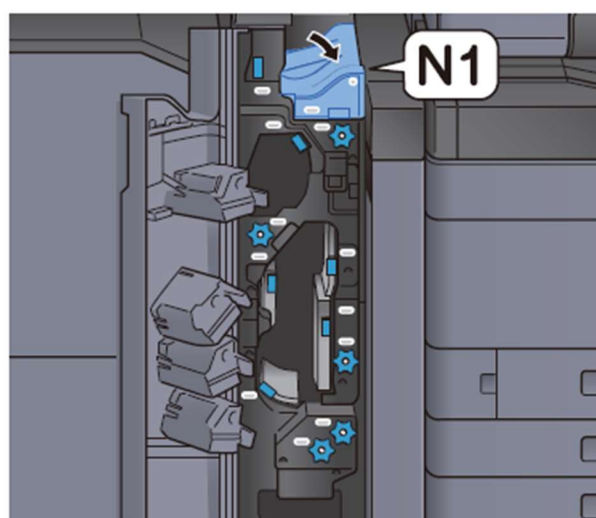
2 Open the transport guides (N1).



3 Remove any jammed paper.



4 Return the transport guide (N1) to the original position.



5 Close the front cover.

