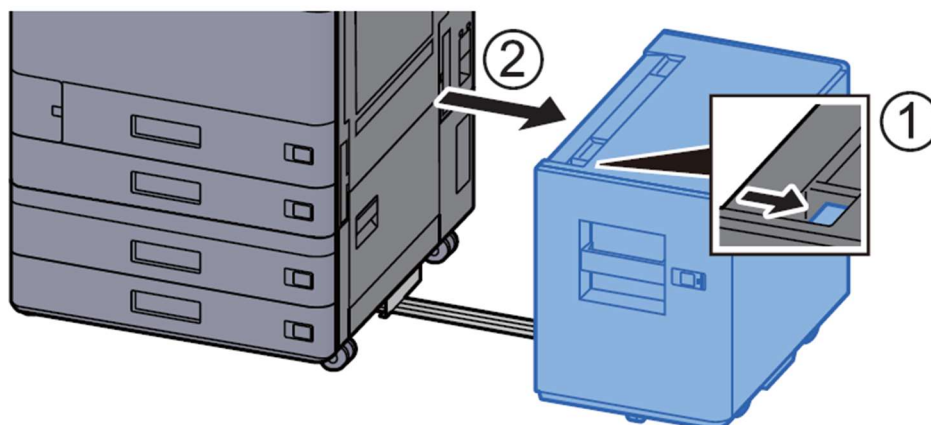


# Remove any jammed paper in Right Cover 1

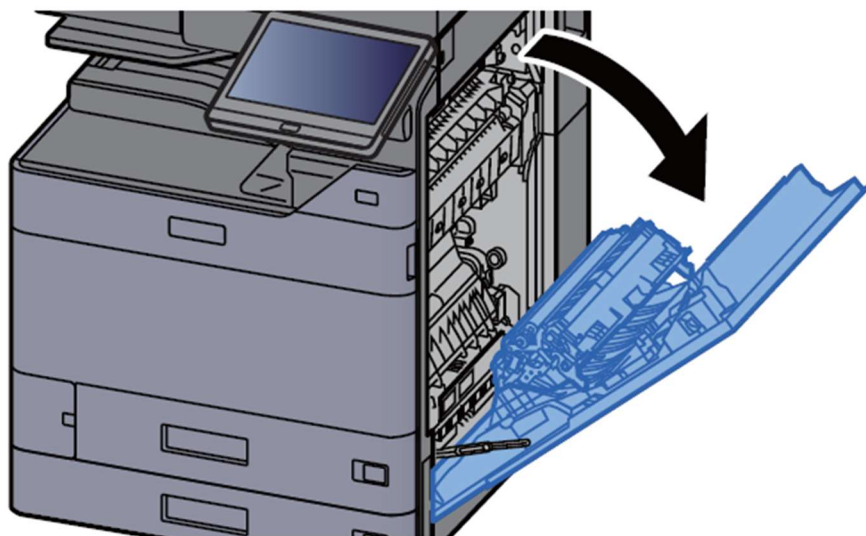
## CAUTION

The fixing unit is extremely hot. Take sufficient care when working in this area, as there is a danger of getting burned.

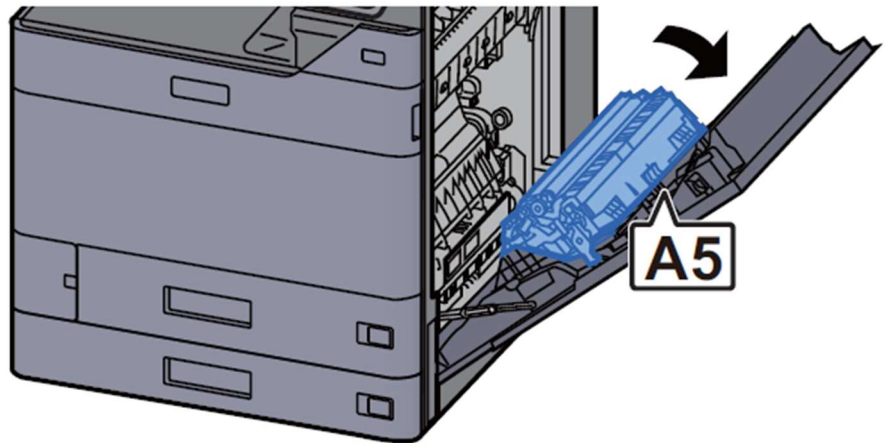
- 1 If the optional side feeder is installed, detach the side feeder.**



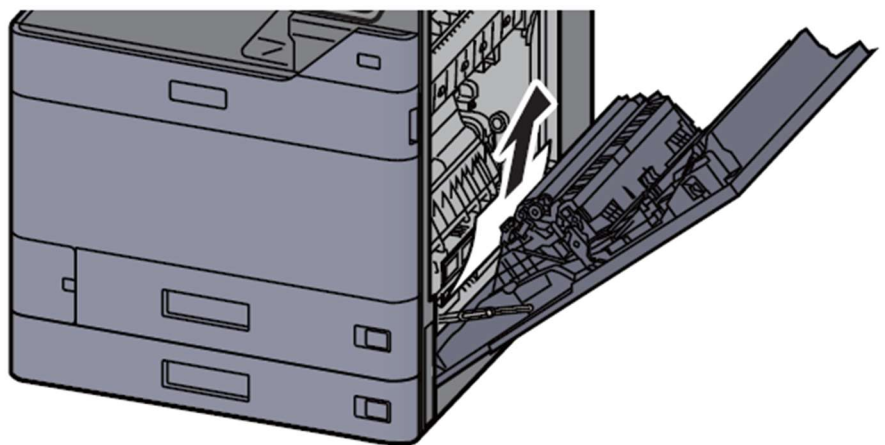
- 2 Open Right Cover 1.**



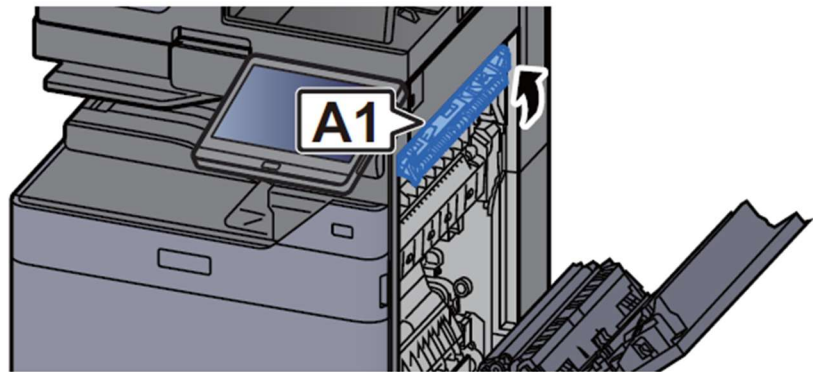
**3 Close the duplex unit (A5).**



**4 Remove any jammed paper.**



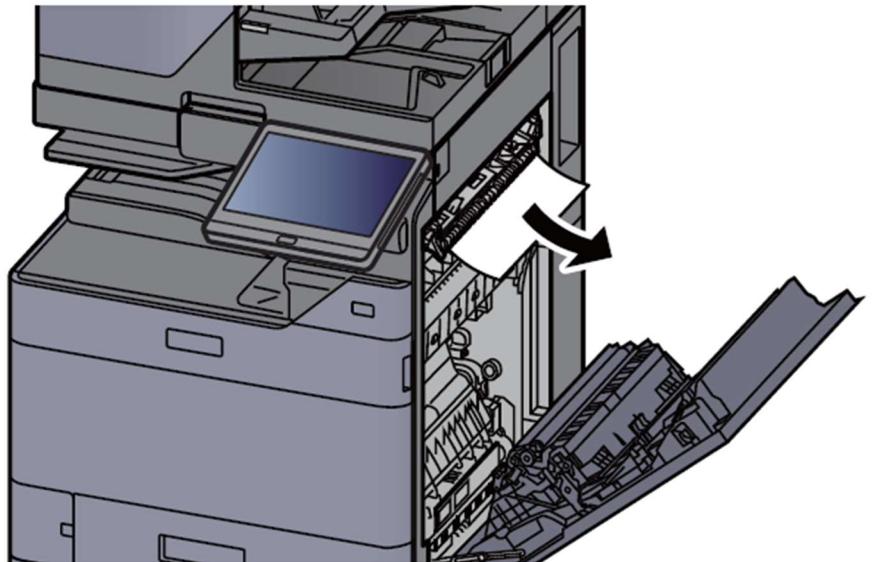
**5 Open the paper feed unit cover (A1).**



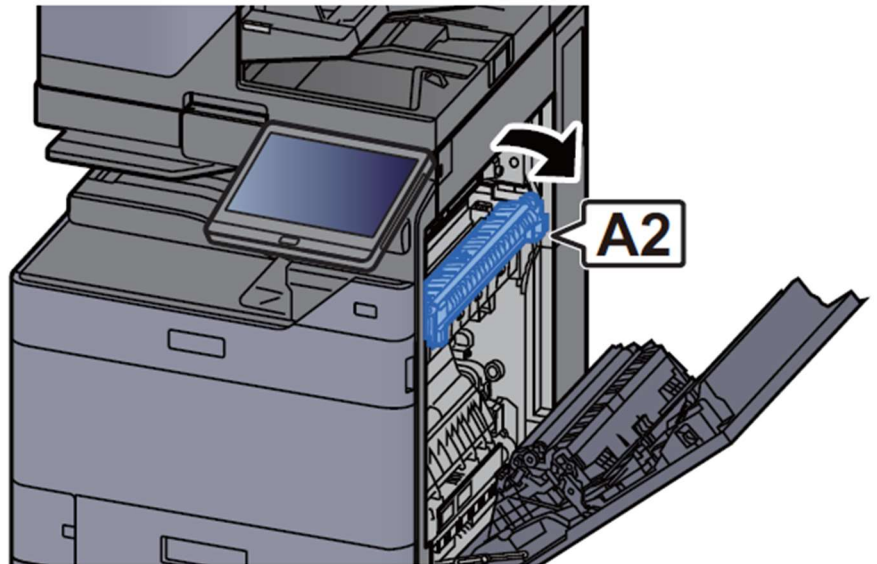
**HOT SURFACE**

(A1) should not be touched until one minutes passes after open the right cover.

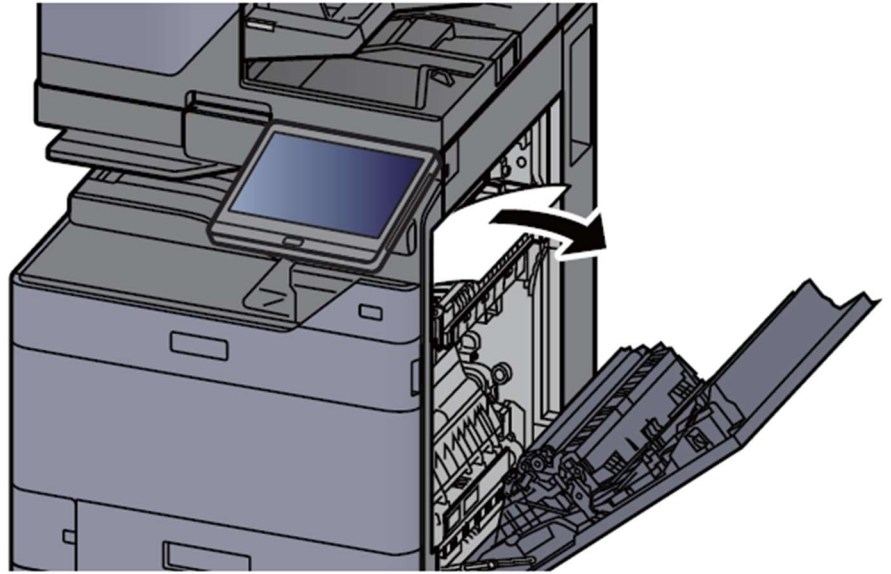
**6 Remove any jammed paper.**



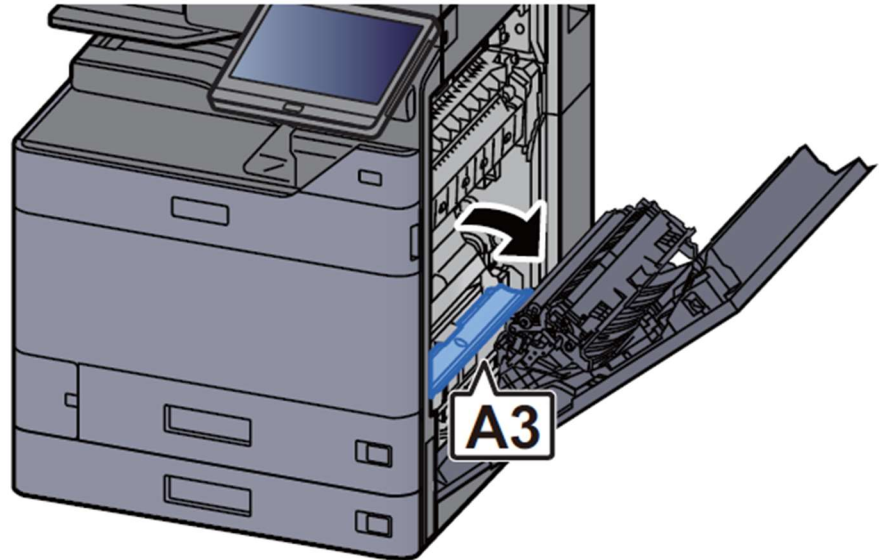
**7 Open the fuser cover (A2).**



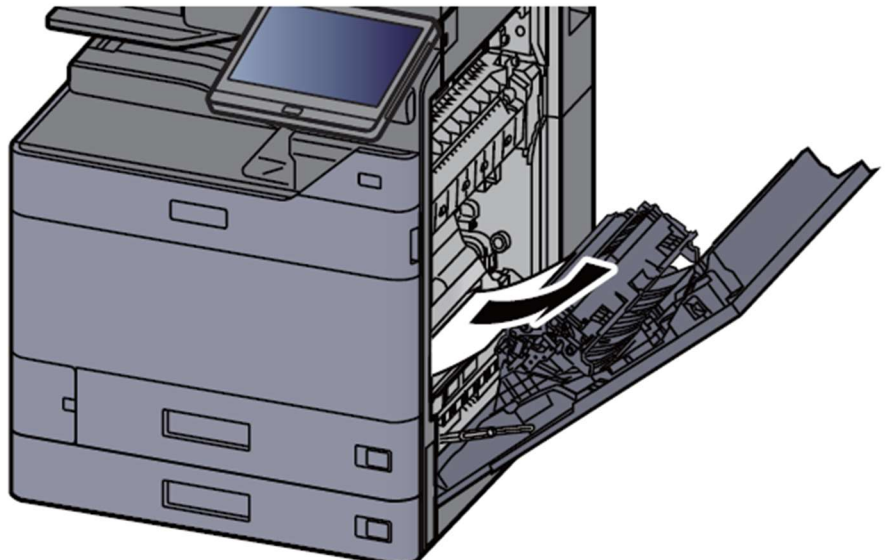
**8 Remove any jammed paper.**



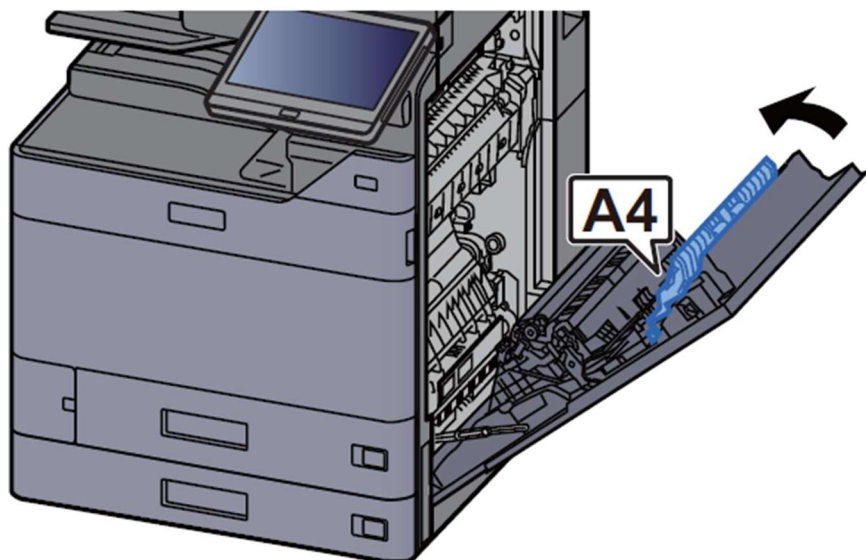
**9 Open the cover (A3).**



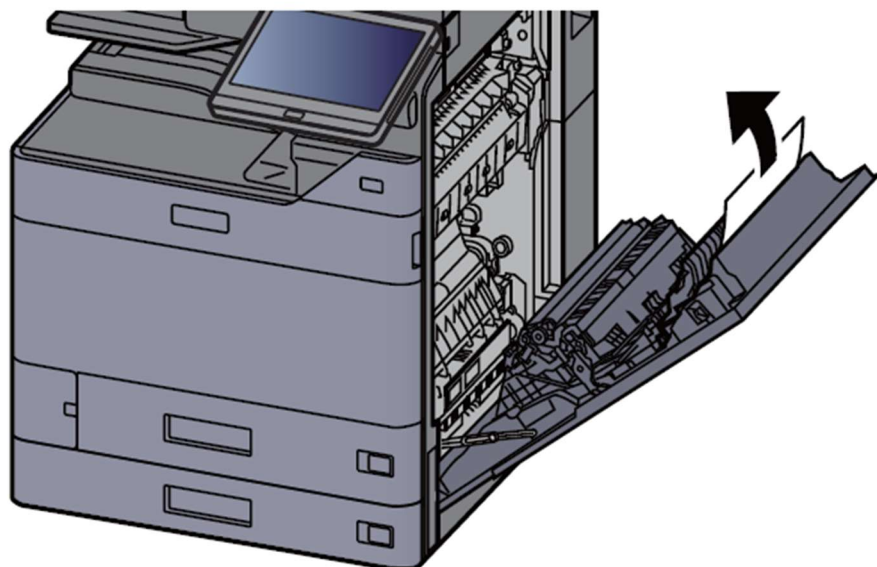
**10 Remove any jammed paper.**



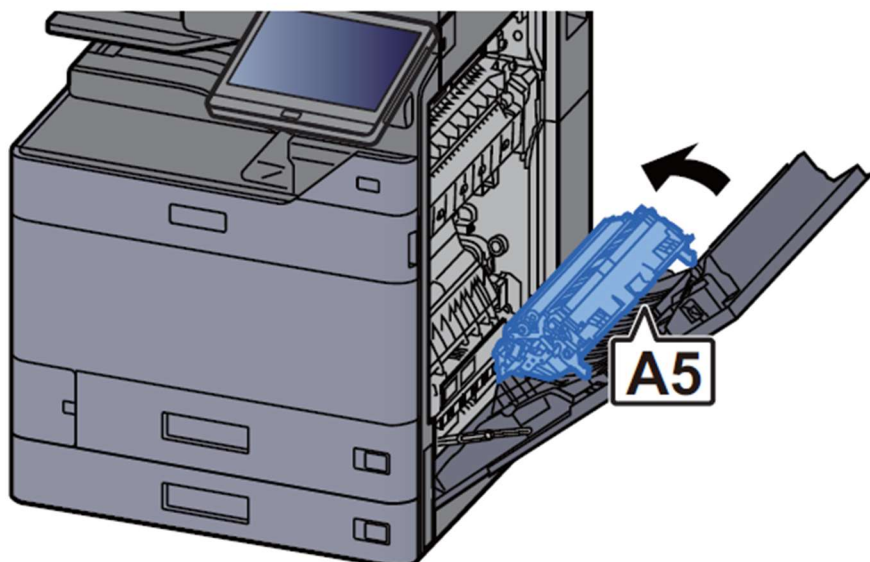
**11** Lift the cover (A4).



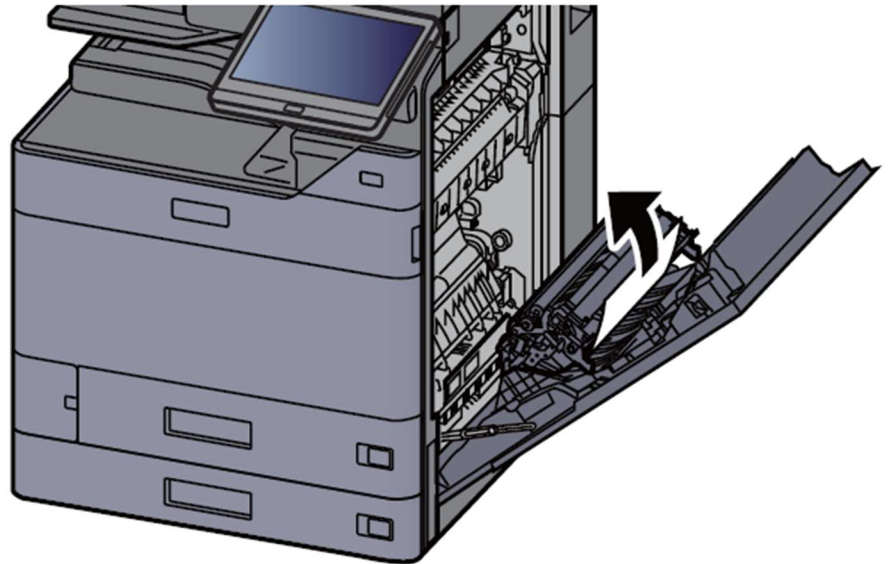
**12** Remove any jammed paper.



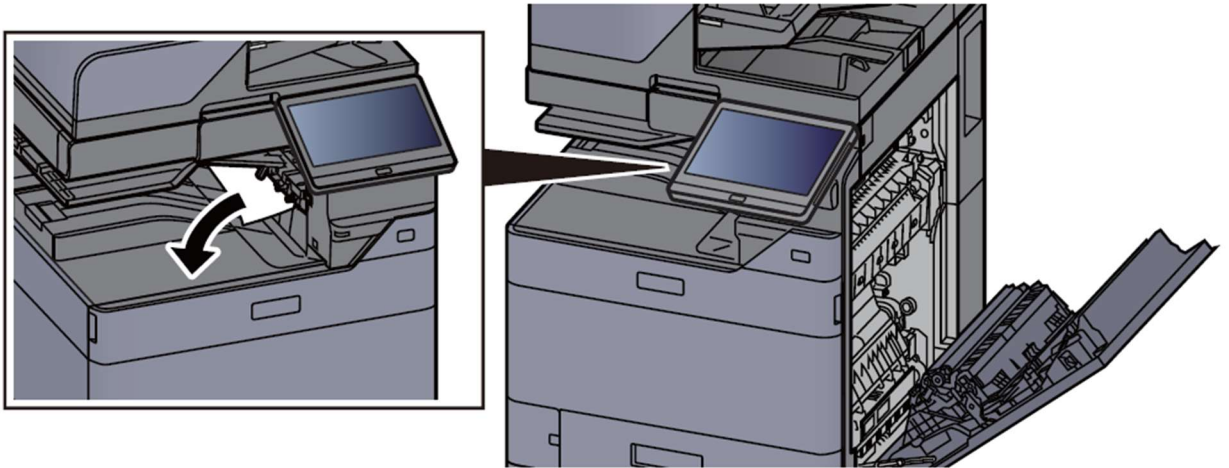
**13** Lift the duplex unit (A5).



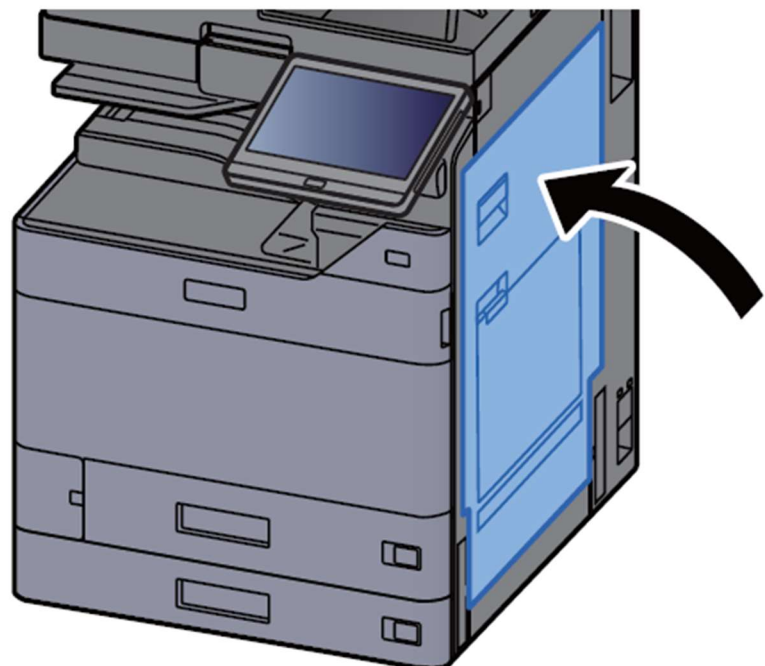
**14** Remove any jammed paper.



**15** Remove the paper from the paper ejector.



**16** Return the cover to the original position.



**17** If the optional side feeder is installed, return the side feeder to the original position.

