

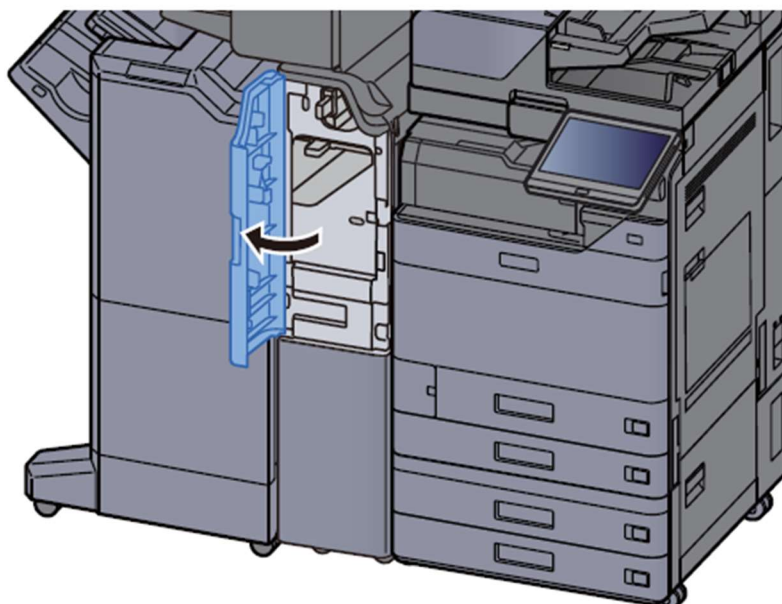
# Remove any jammed paper in the Inserter

## CAUTION

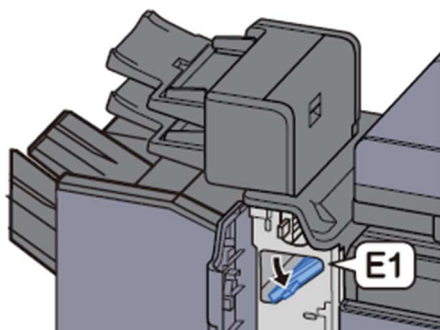
- Do not reuse jammed papers.
- If the paper tears during removal, be sure to remove any loose scraps of paper from inside the machine. Scraps of paper left in the machine could cause subsequent jamming.

## Straight pass

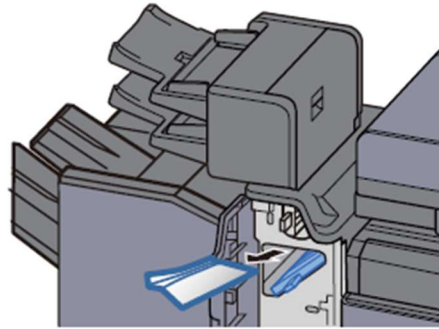
### 1 Open the front cover.



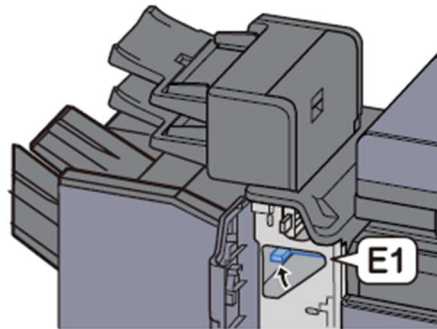
### 2 Open the transport guide (E1).



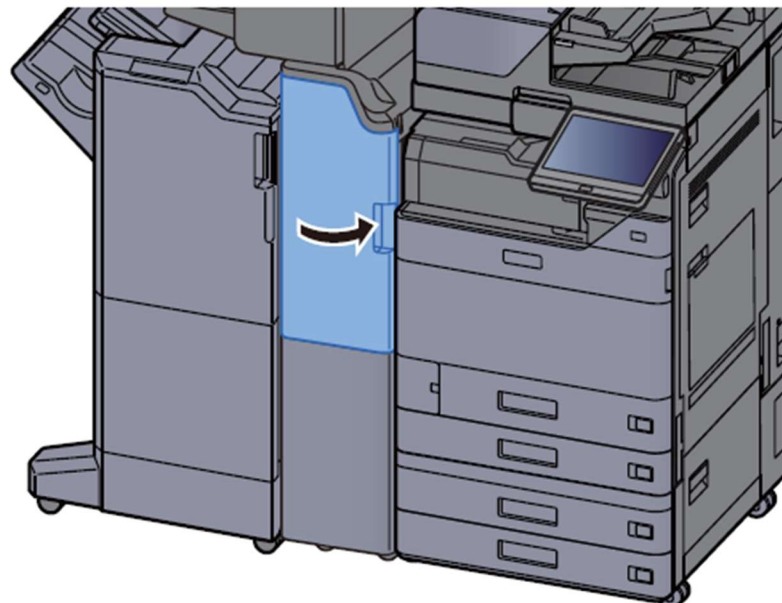
**3 Remove any jammed paper.**



**4 Return the transport guide (E1) to the original position.**

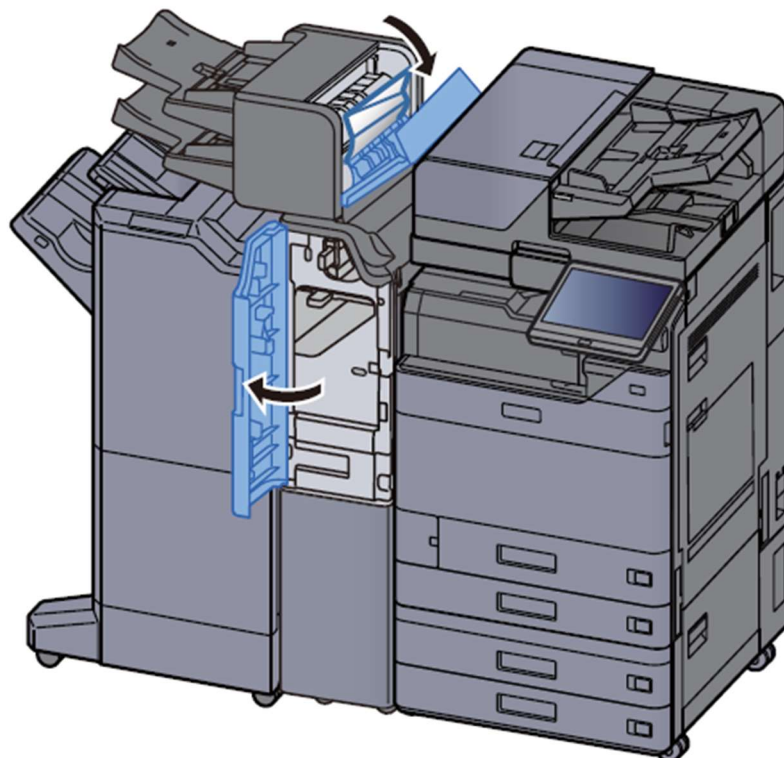


**5 Return the cover to the original position.**

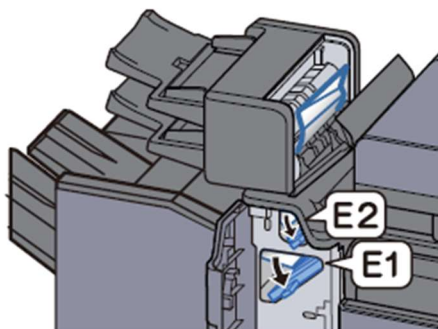


## Vertical transport section

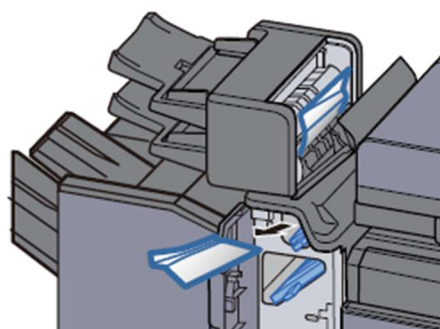
- 1 Open the front cover and right cover.

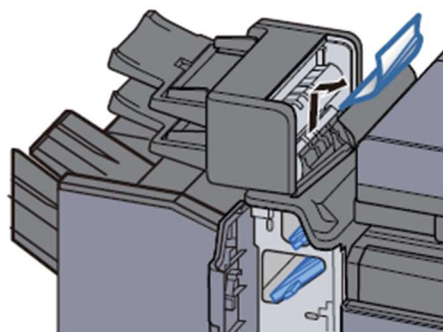


- 2 Open the transport guides (E1) and (E2).

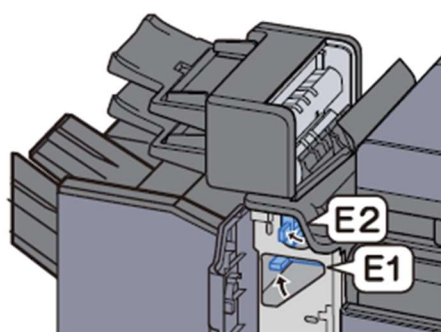


- 3 Remove any jammed paper.

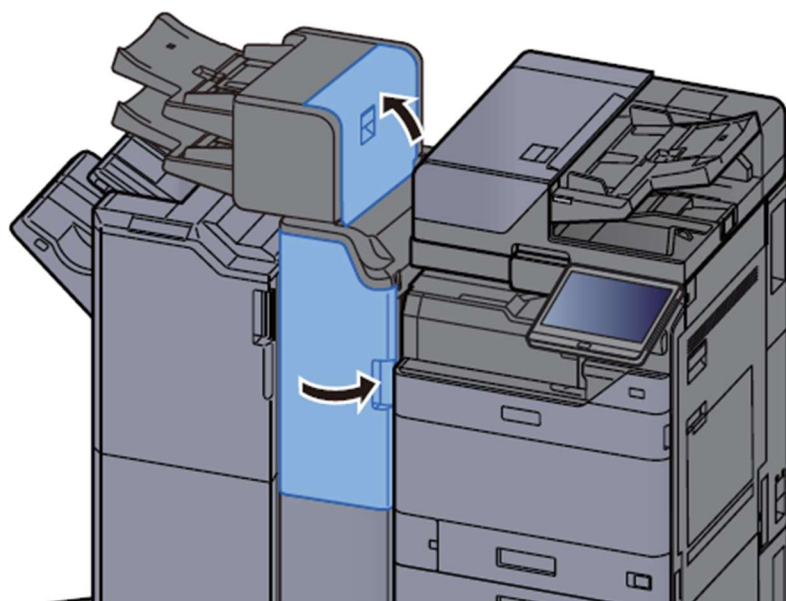




- 4** Return the transport guides (E1) and (E2) to the original position.

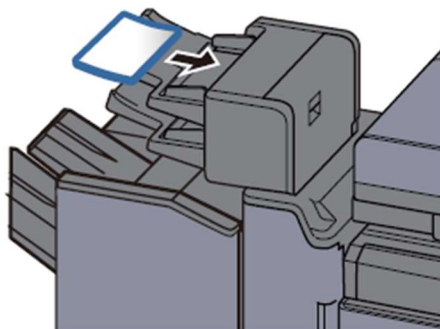


- 5** Return the cover to the original position.

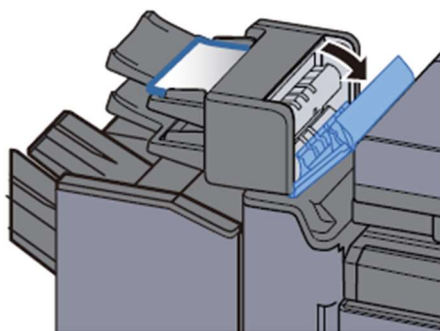


## Tray 1 lift error

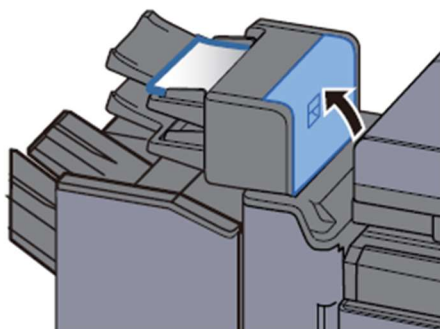
- 1 Load paper in tray 1.



- 2 Open the right cover.

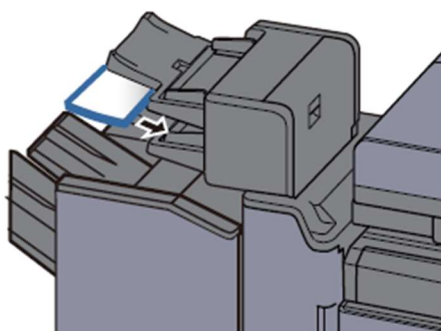


- 3 Close the right cover.

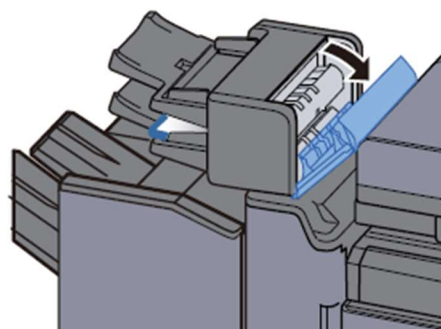


## Tray 2 lift error

- 1 Load paper in tray 2.



- 2 Open the right cover.



- 3 Close the right cover.

