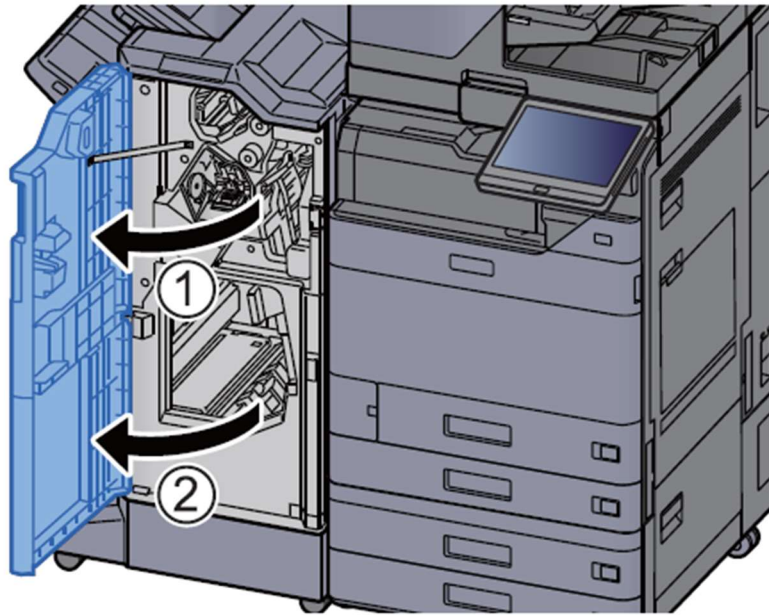


# Remove any jammed paper in the Folding Unit (4,000-sheet Finisher)

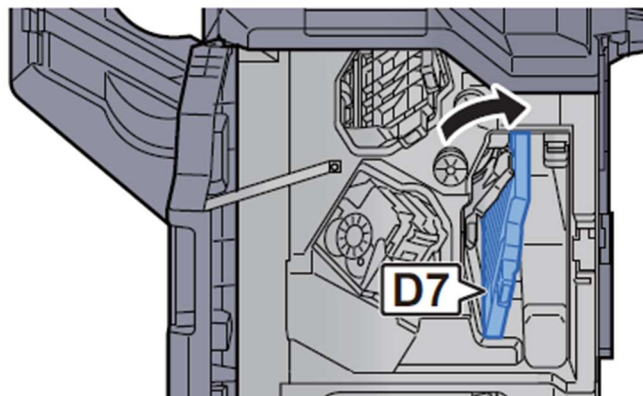
## CAUTION

- Do not reuse jammed papers.
- If the paper tears during removal, be sure to remove any loose scraps of paper from inside the machine. Scraps of paper left in the machine could cause subsequent jamming.

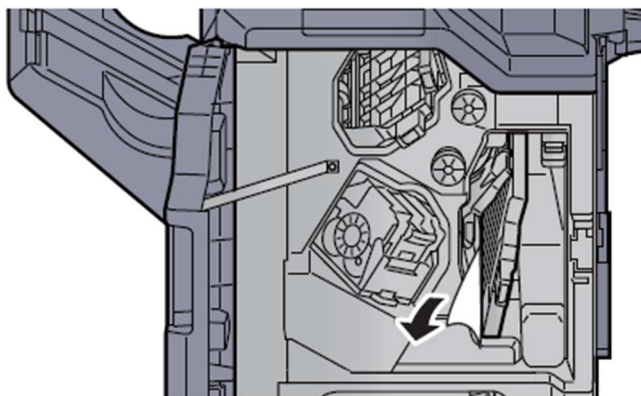
### **1** Open the finisher front cover 1 and 2.



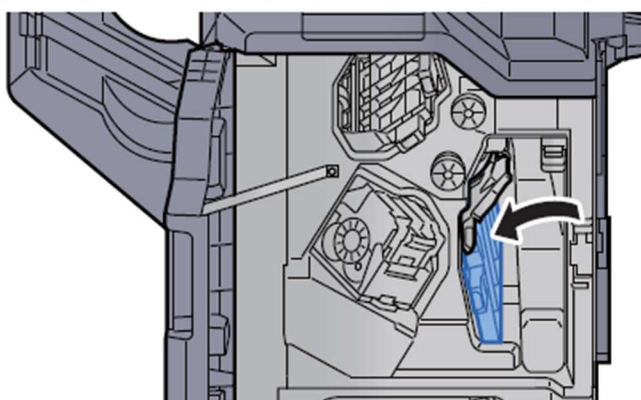
### **2** Open the conveyor guide (D7).



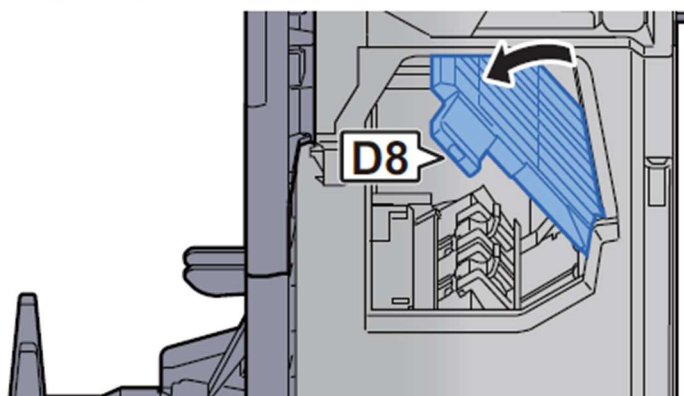
**3 Remove any jammed paper.**



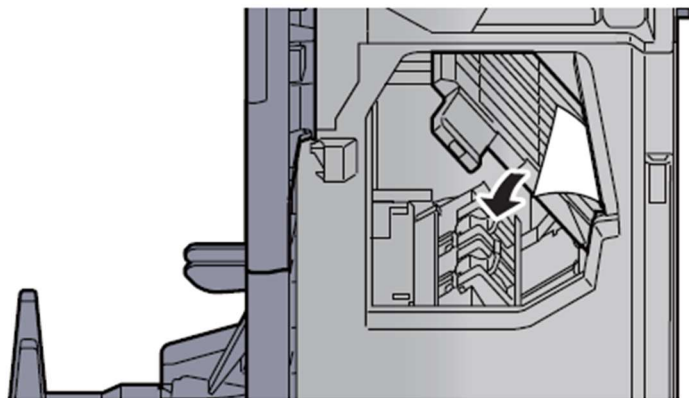
**4 Return the conveyor guide (D7) to the original position.**



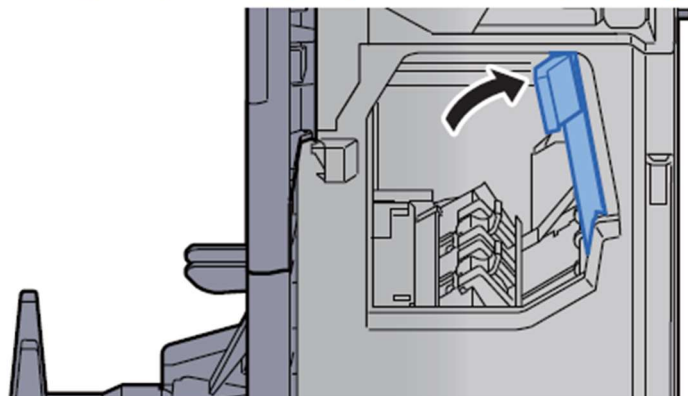
**5 Open the conveyor guide (D8).**



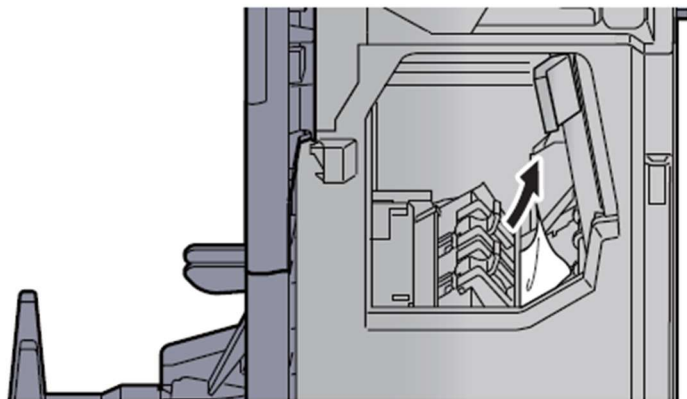
**6 Remove any jammed paper.**



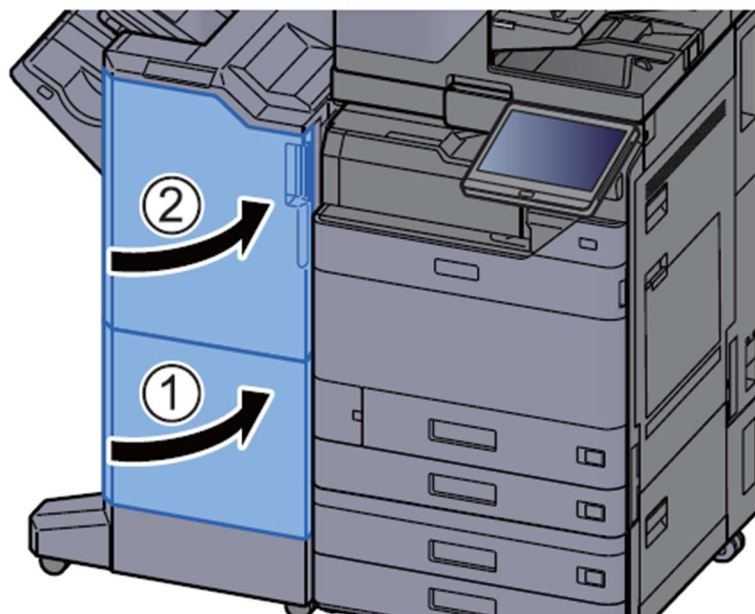
**7 Return the conveyor guide (D8) to the original position.**



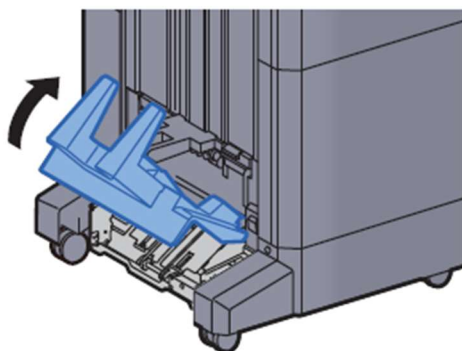
**8 Remove paper from inside the finisher.**



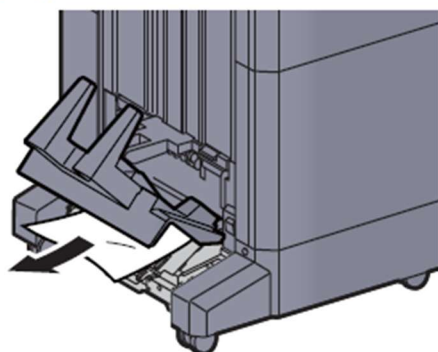
**9** Return the covers to the original position.



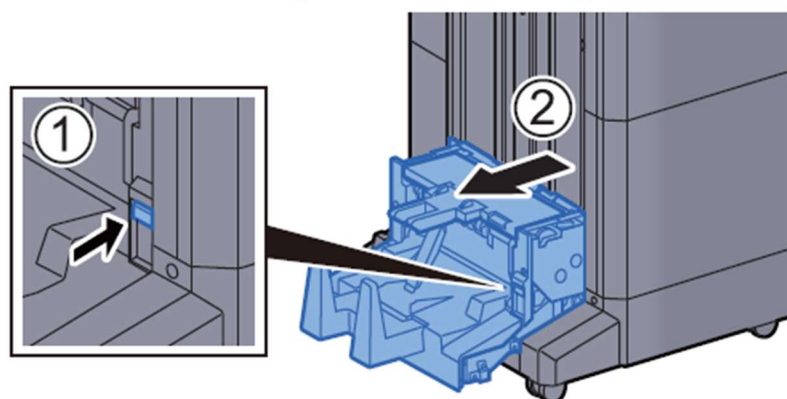
**10** Lift the folding tray.



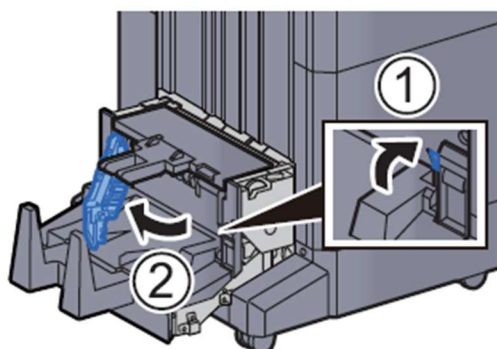
**11** Remove any jammed paper.



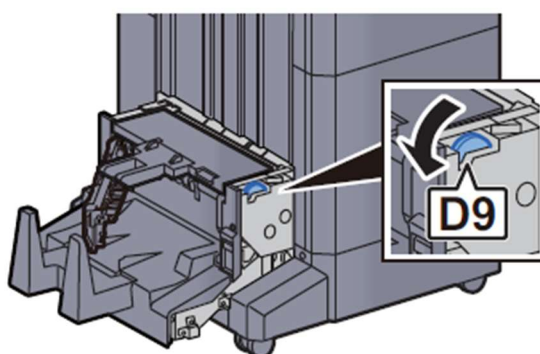
**12** Press the release lever to pull the folding unit out.



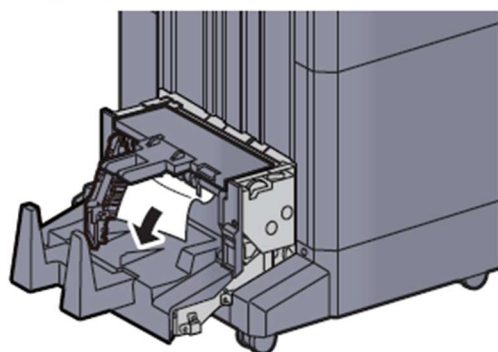
**13** Open the folding unit left cover.



**14** Turn dial (D9).

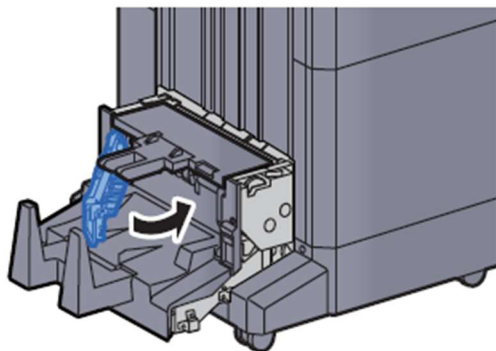


**15** Remove any jammed paper.

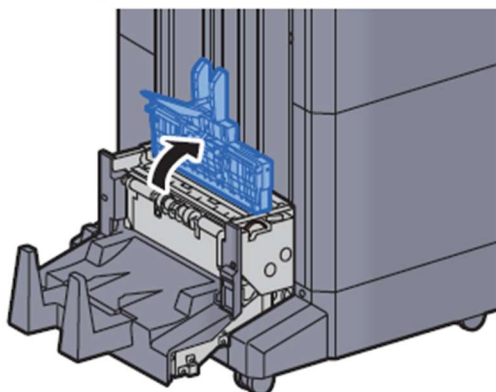




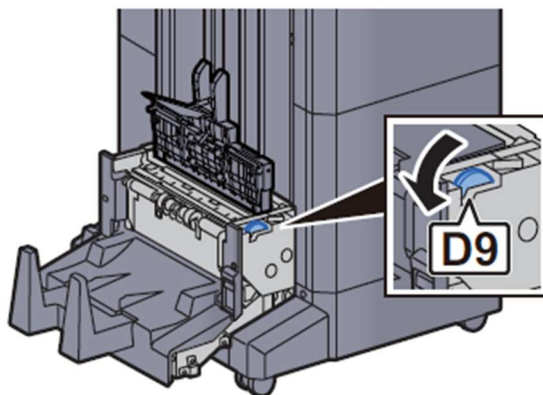
**16** Return the folding unit left cover to the original position.



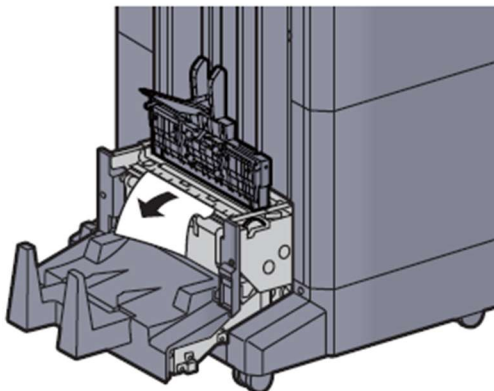
**17** Open the folding unit top cover.



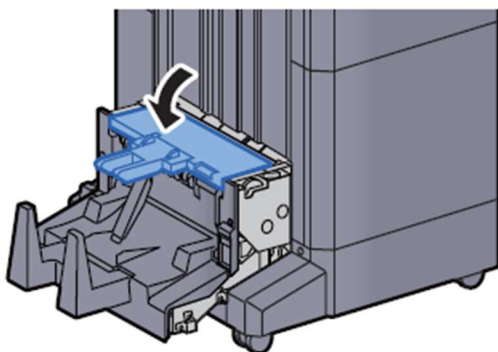
**18** Turn dial (D9).



**19** Remove any jammed paper.



**20** Return the folding unit top cover to the original position.



**21** Return the folding unit to the original position.

