

Cleaning Slit Glass

When using the document processor, clean the slit glass surface and the reading guide with the supplied cleaning cloth.

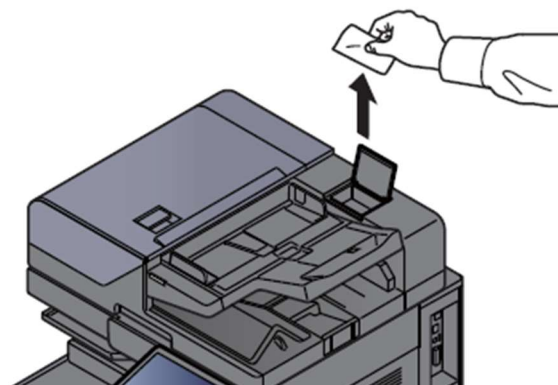
✔ IMPORTANT

Clean the slit glass surface with the supplied cleaning cloth.

🔍 NOTE

Dirt on the slit glass or the reading guide may cause black streaks to appear in the output.

1 Remove the cloth from the cleaning cloth compartment.



2 Clean the slit glass surface and the reading guide.

