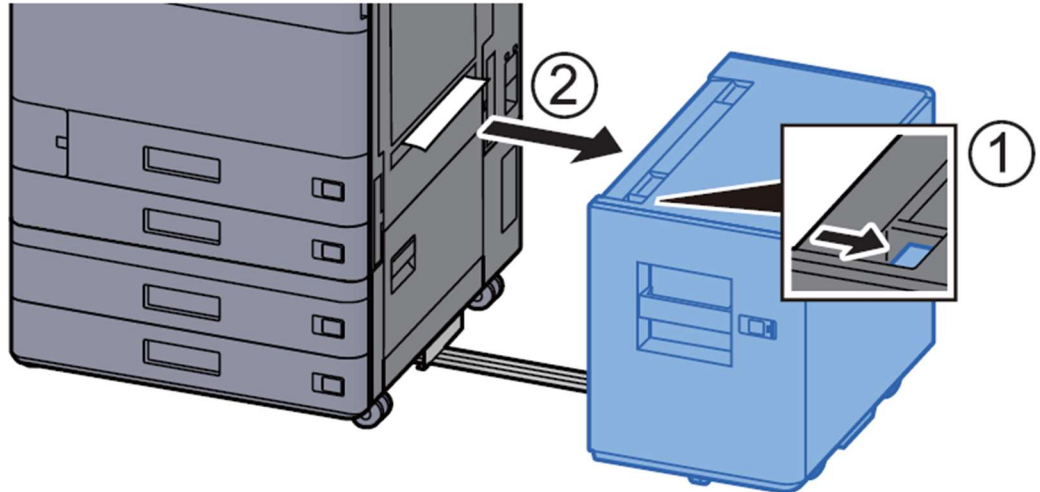


Remove any jammed paper in Cassette 5 (Side Feeder)

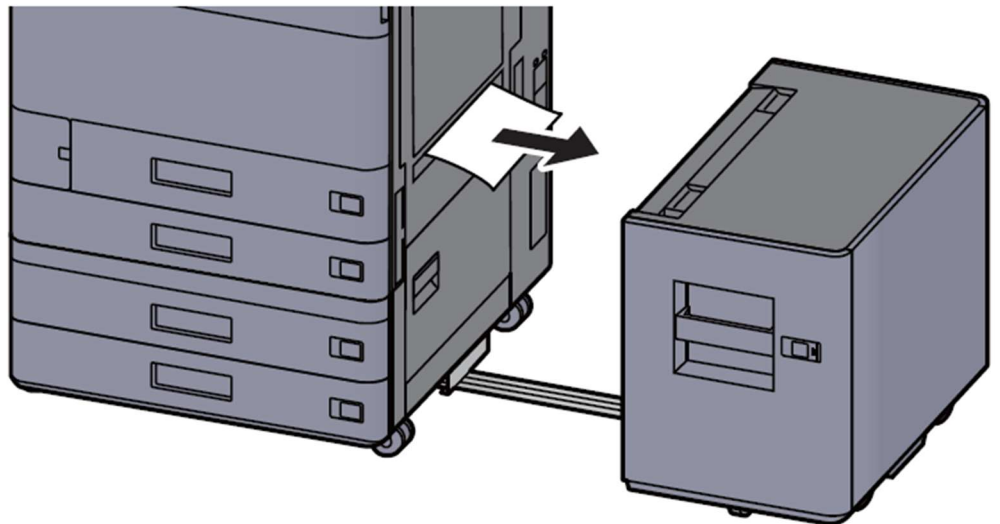
CAUTION

- Do not reuse jammed papers.
- If the paper tears during removal, be sure to remove any loose scraps of paper from inside the machine. Scraps of paper left in the machine could cause subsequent jamming.

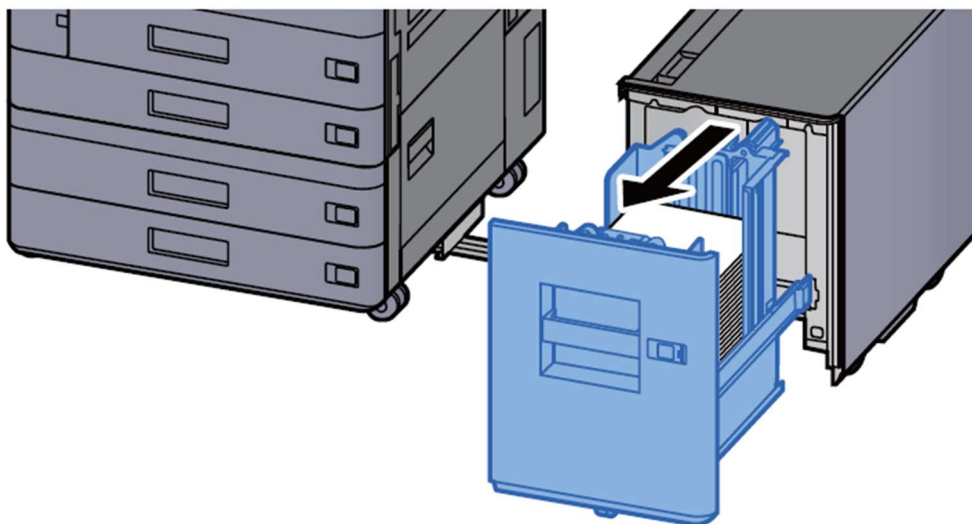
1 Detach the side feeder.



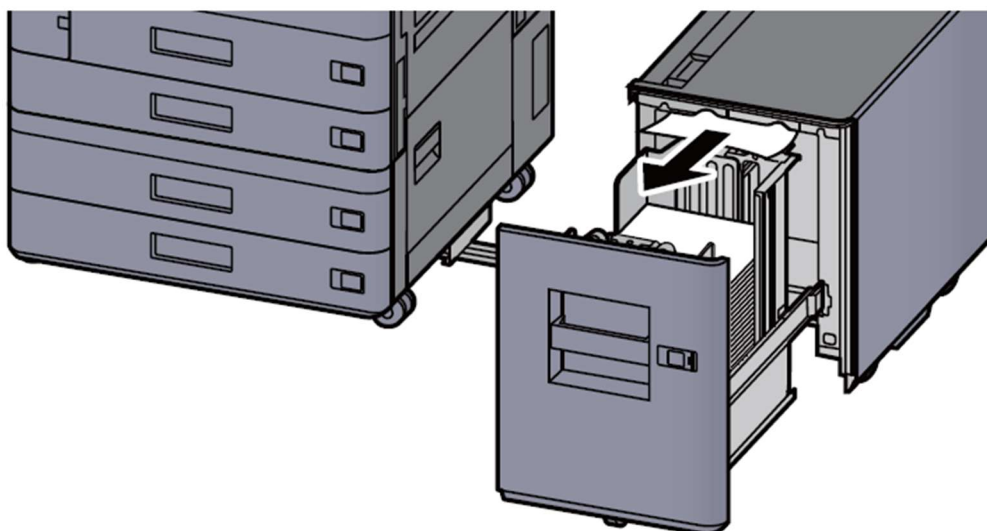
2 Remove any jammed paper.



3 Pull Cassette 5 out toward you until it stops.



4 Remove any jammed paper.



5 Return the Cassette 5 and side feeder to the original position.

