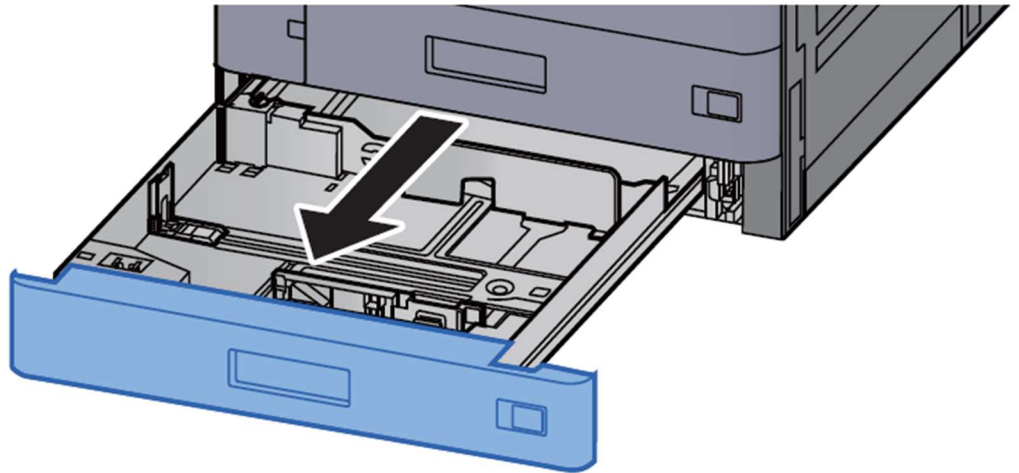


Loading Paper

Loading in Cassette 2

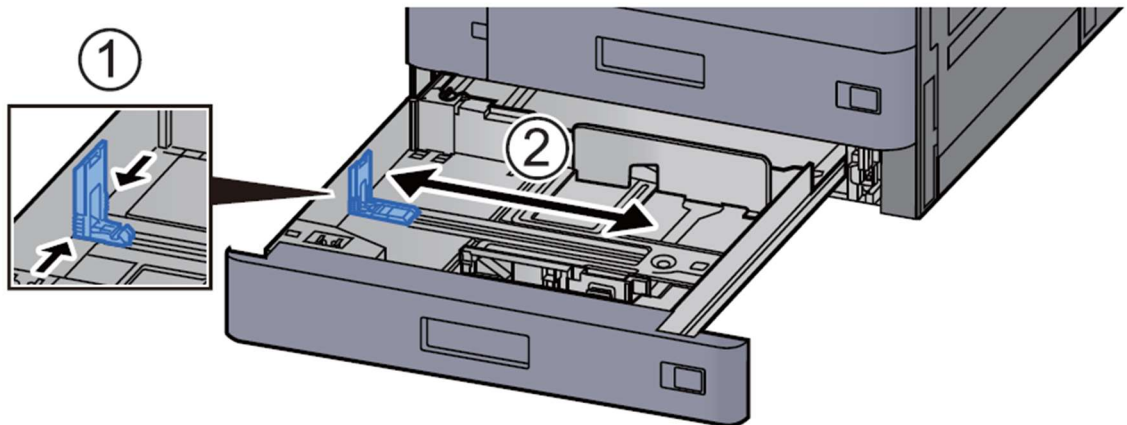
- 1 Pull the cassette completely out of the machine.**




NOTE

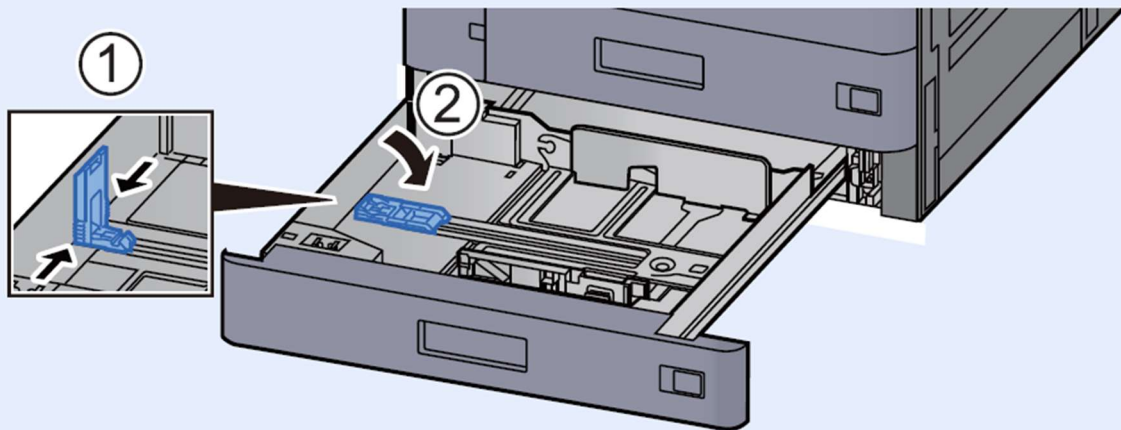
Do not pull out more than one cassette at a time.

- 2 Adjust the paper length guide to the paper size required.**

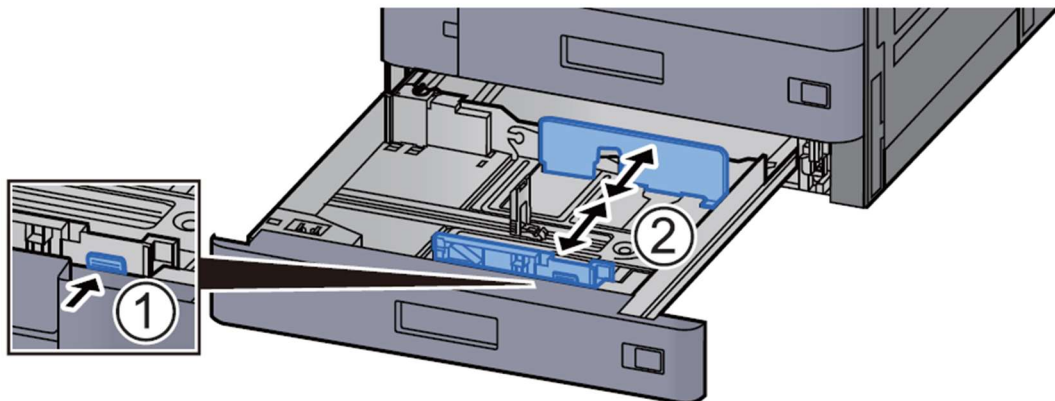



 **NOTE**

When using 12×18" size paper, move the paper length guide to the extreme left and lay it down.

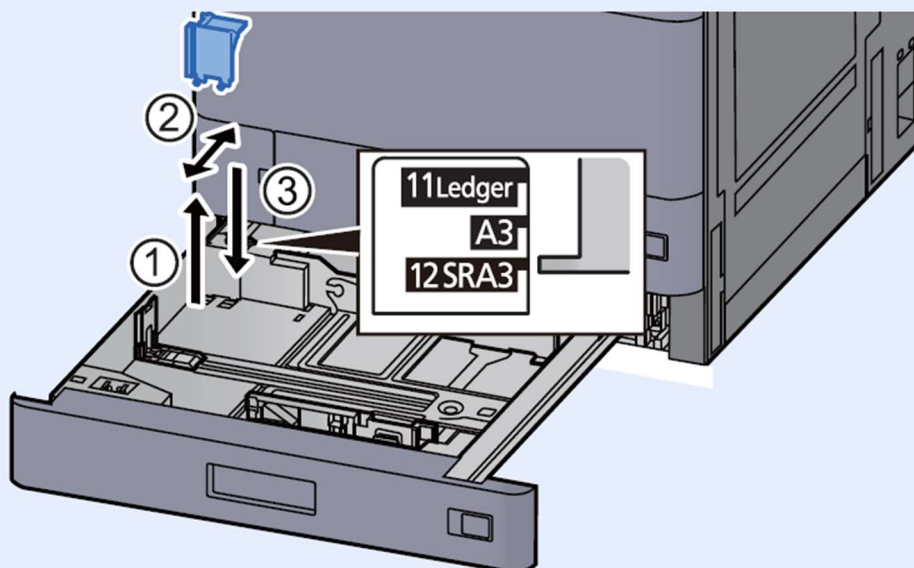


3 Adjust the position of the paper width guides located on the left and right sides of the cassette.

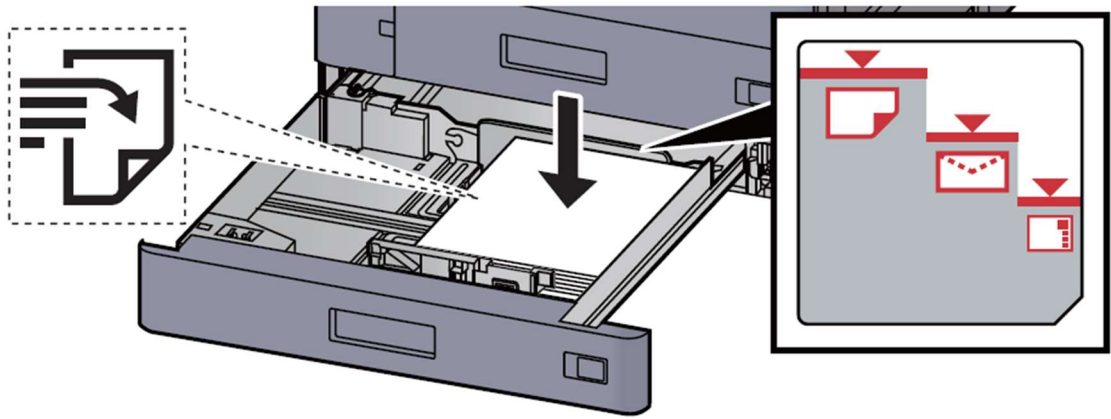


 **NOTE**

When using SRA3/12×18", A3, or Ledger paper, adjust the auxiliary guide accordingly.

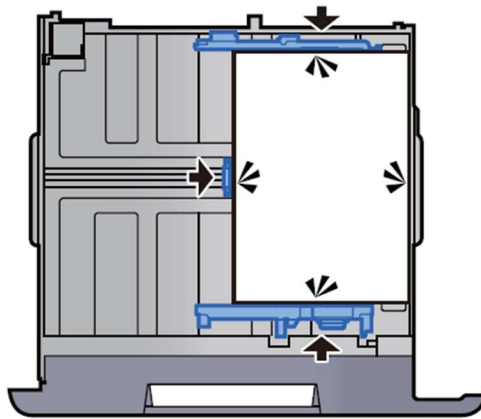


4 Load paper.



5 Be sure that the paper length and width guides rest securely against the paper.

If there is a gap, readjust the guides to fit the paper.



6 Gently push the cassette back in.

