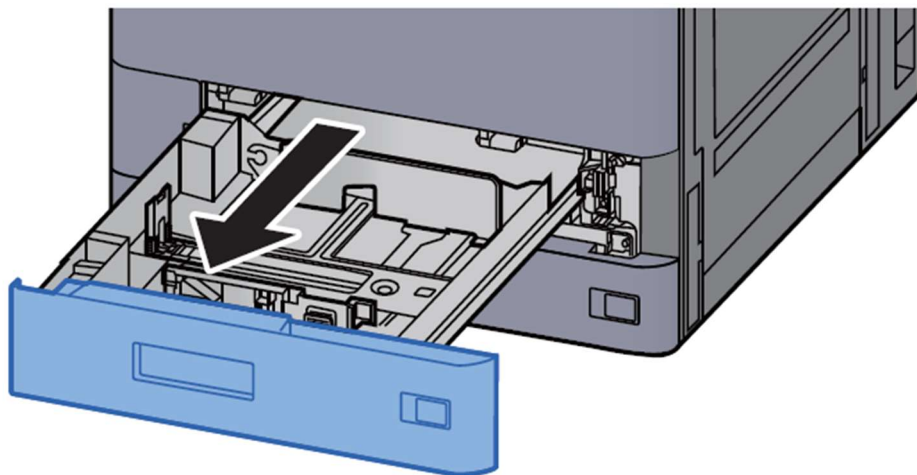



Loading Paper

Loading in Cassette 1

Load the paper in Cassette. The procedures here represent the Cassette 1.

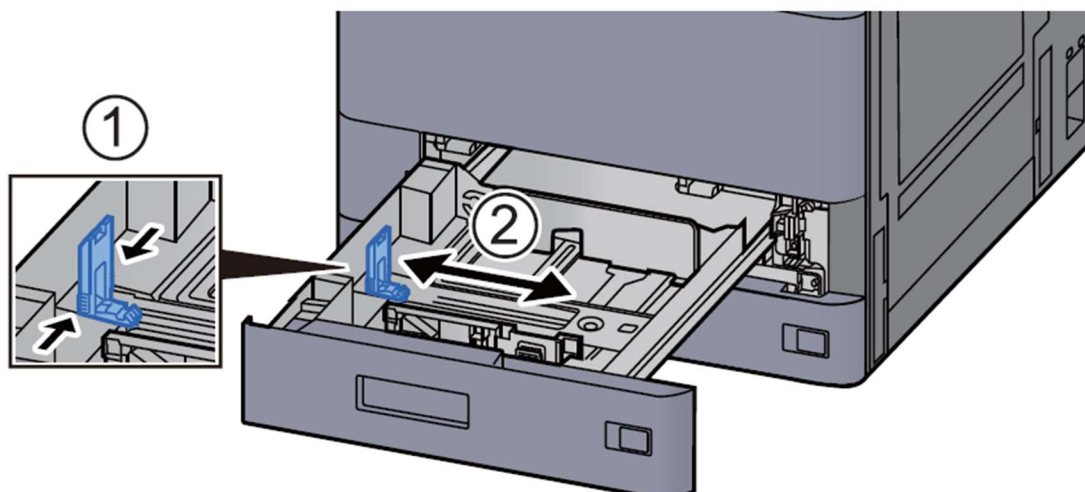
- 1 Pull the cassette completely out of the machine.**



 **NOTE**

Do not pull out more than one cassette at a time.

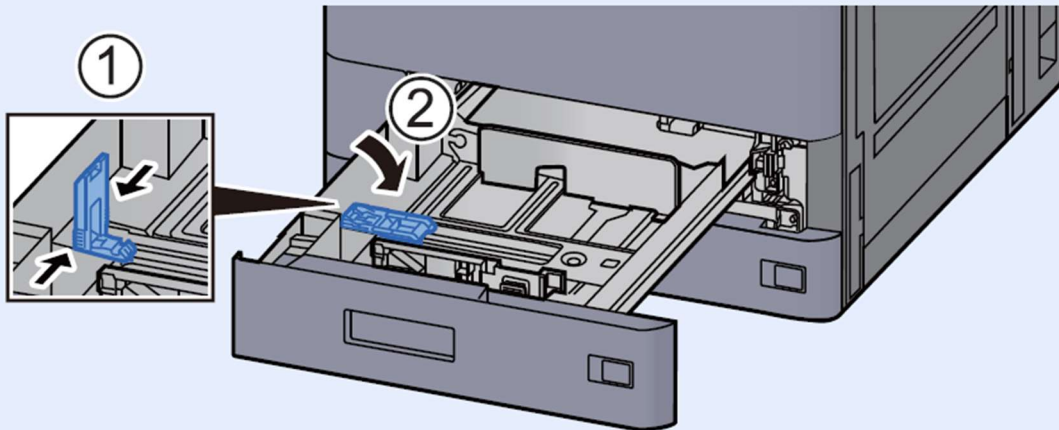
- 2 Adjust the paper length guide to the paper size required.**



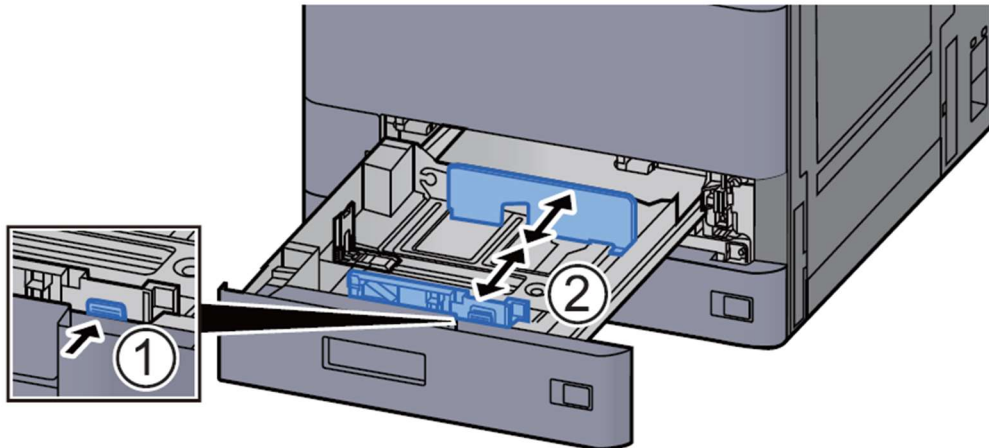


NOTE

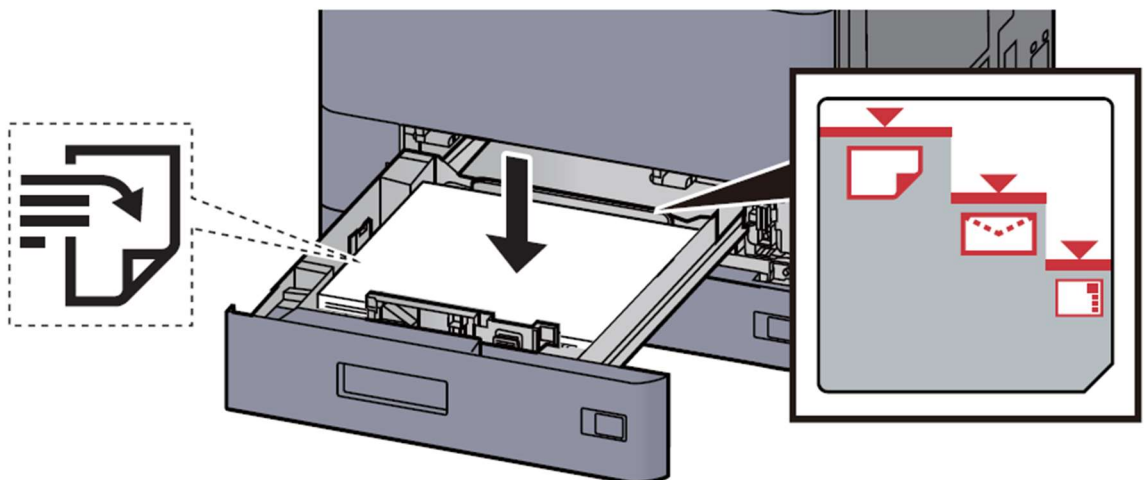
When using Legal size paper, move the paper length guide to the extreme left and lay it down.



3 Adjust the position of the paper width guides located on the left and right sides of the cassette.

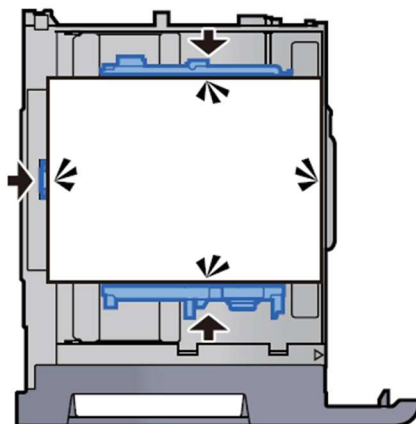


4 Load paper.



5 Be sure that the paper length and width guides rest securely against the paper.

If there is a gap, readjust the guides to fit the paper.



6 Gently push the cassette back in.

