

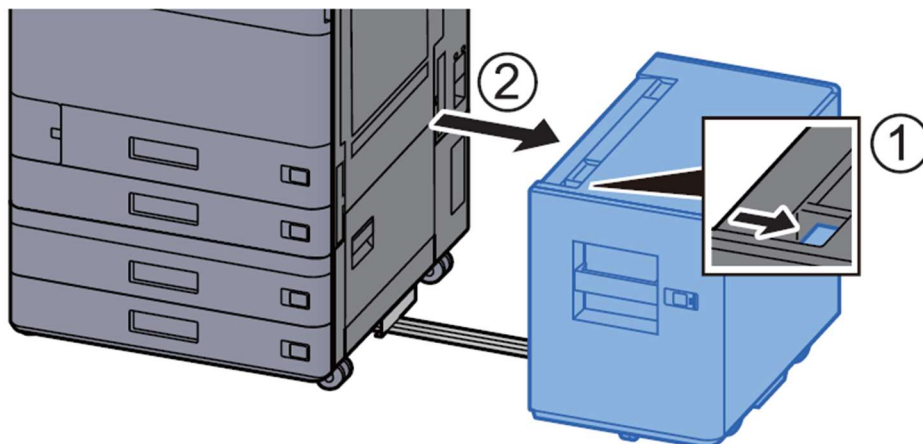
# Remove any jammed paper in Cassette 1

Here, we'll explain the procedures for cassette 1, as an example.

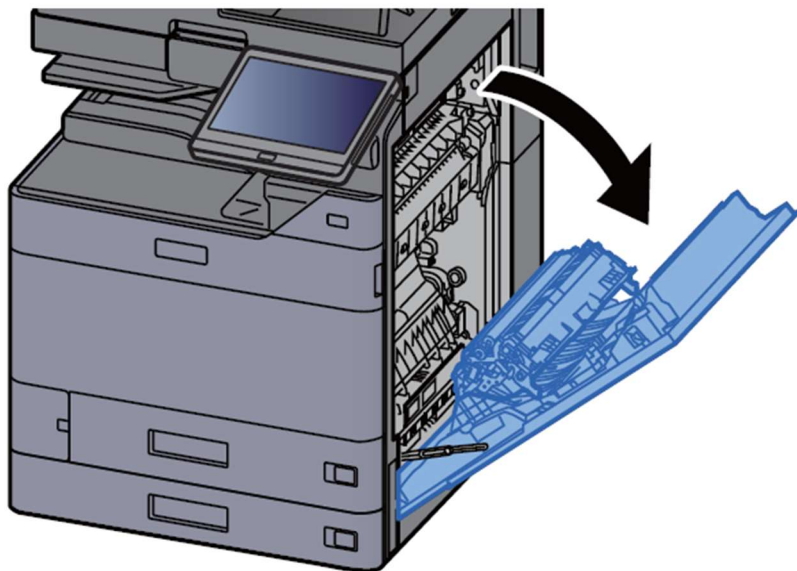
## CAUTION

- Do not reuse jammed papers.
- If the paper tears during removal, be sure to remove any loose scraps of paper from inside the machine. Scraps of paper left in the machine could cause subsequent jamming.

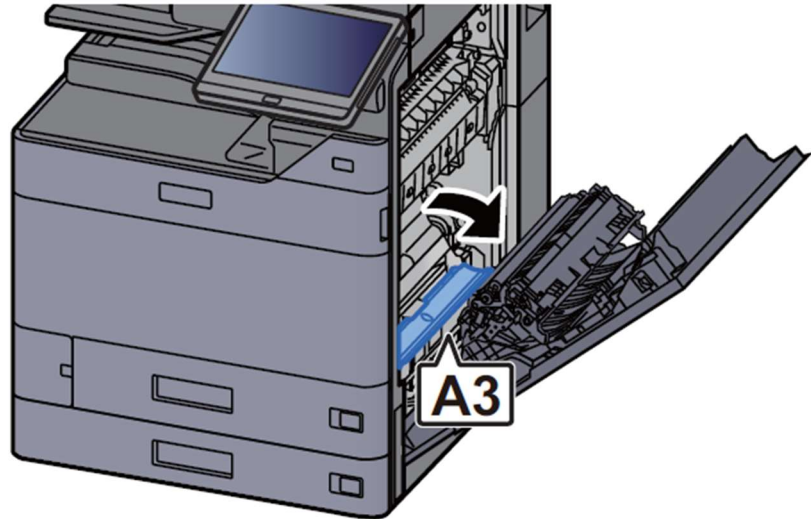
### **1** If the optional side feeder is installed, detach the side feeder.



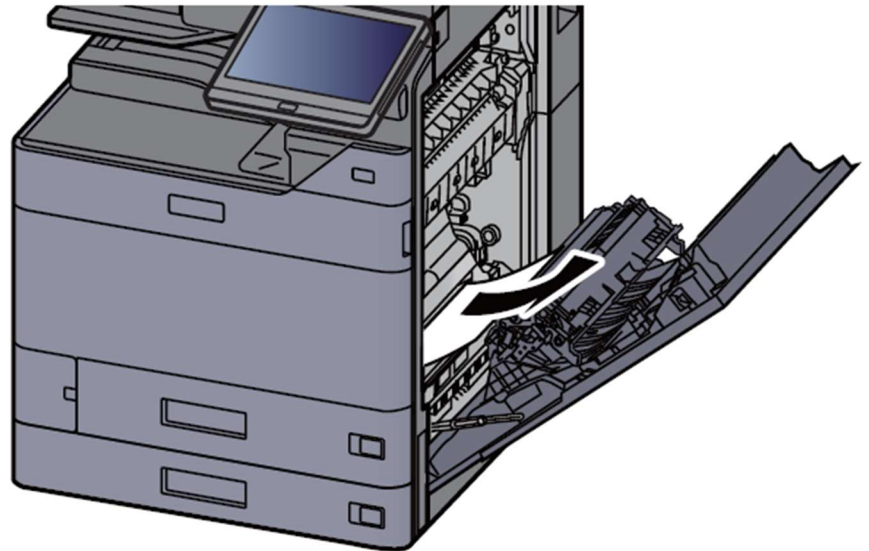
### **2** Open Right Cover 1.



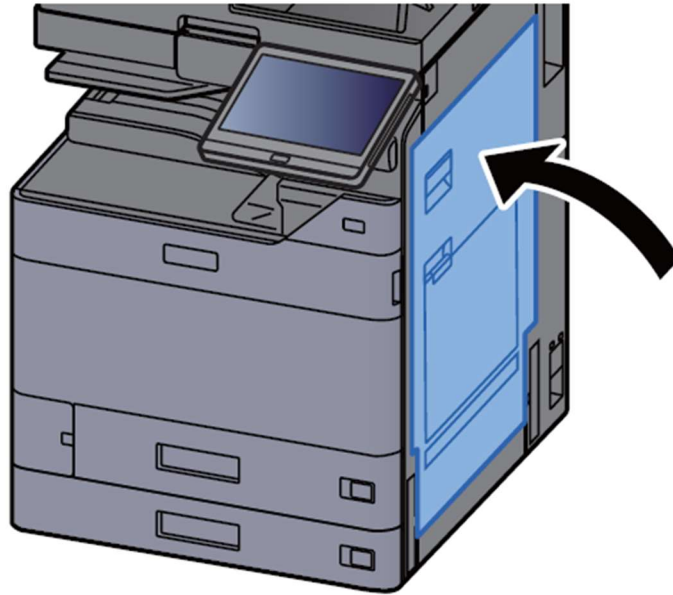
**3** Open the cover (A3).



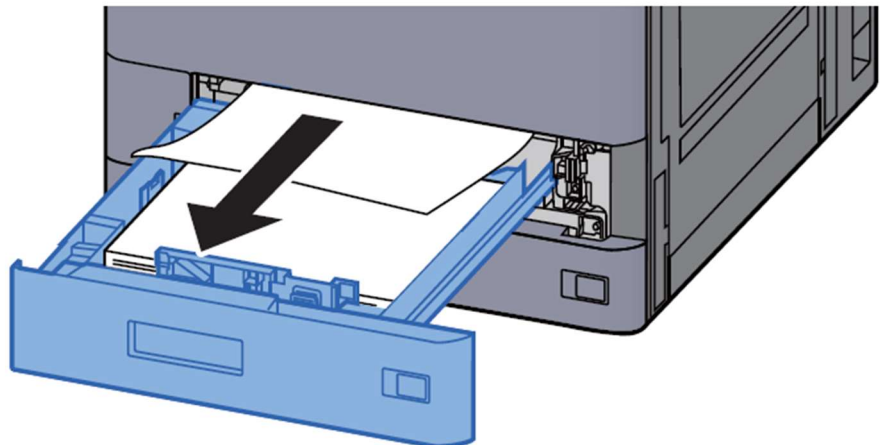
**4** Remove any jammed paper.



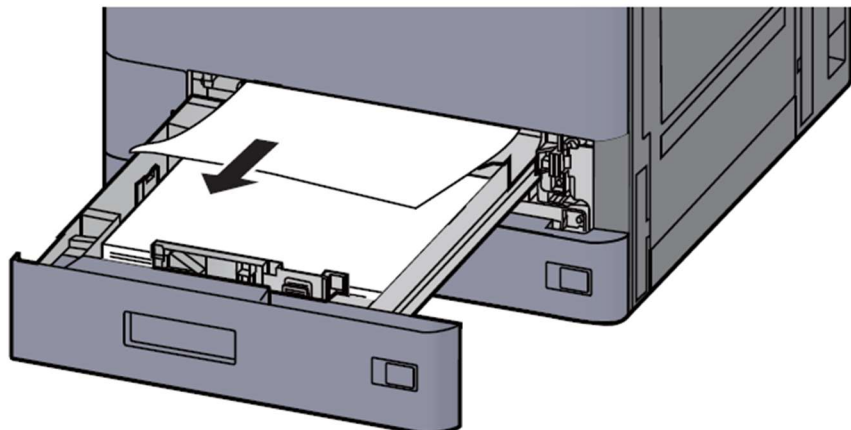
**5** Return the cover to the original position.



**6** Pull Cassette 1 out toward you until it stops.



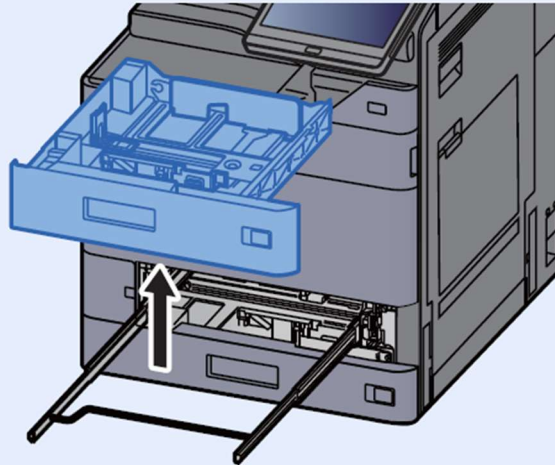
**7** Remove any jammed paper.



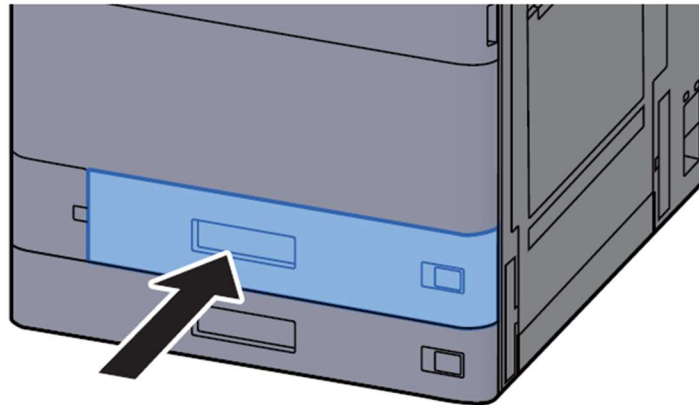


## NOTE

To remove paper which is difficult to get access to, the cassette can be removed.



## 8 Push Cassette 1 back in.



## 9 If the optional side feeder is installed, return the side feeder to the original position.

