

# Remove any jammed paper in the 4,000-sheet Finisher/100-sheet Staple Finisher (Inner)

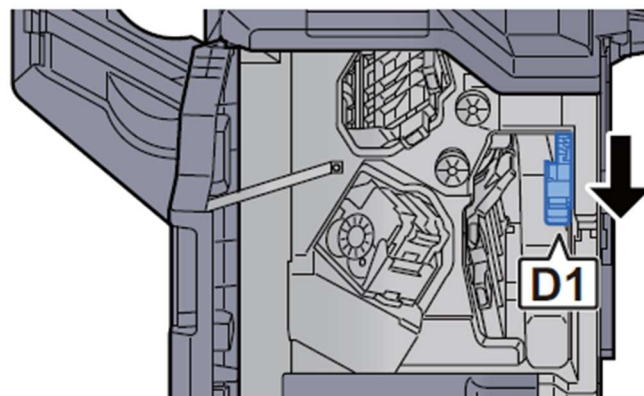
## CAUTION

- Do not reuse jammed papers.
- If the paper tears during removal, be sure to remove any loose scraps of paper from inside the machine. Scraps of paper left in the machine could cause subsequent jamming.

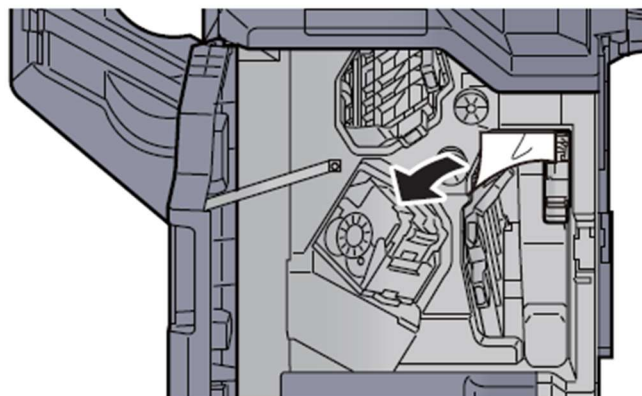
### 1 Open the finisher front cover 1.



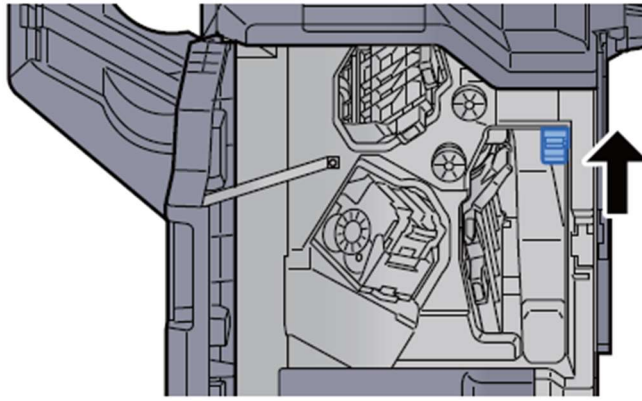
### 2 Open the conveyor guide (D1).



### 3 Remove any jammed paper.



**4** Return the conveyor guide (D1) to the original position.



**5** Return the cover to the original position.

