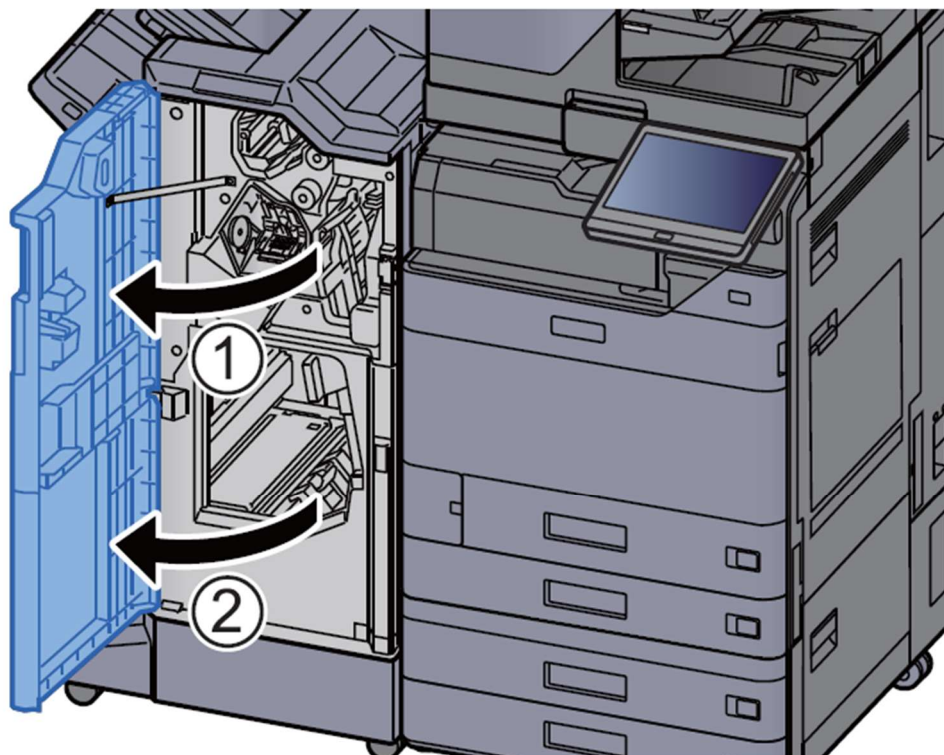
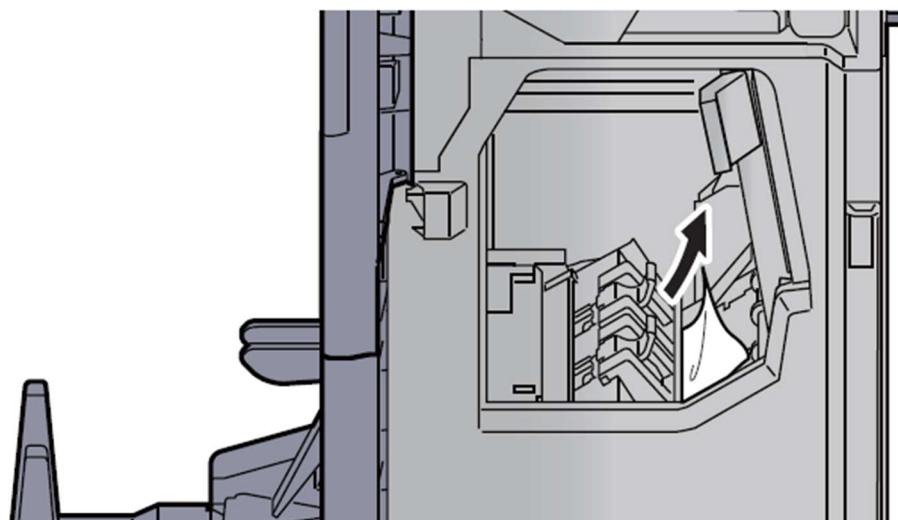


Clearing a Staple Jam of the Folding Unit (4,000-sheet Finisher)

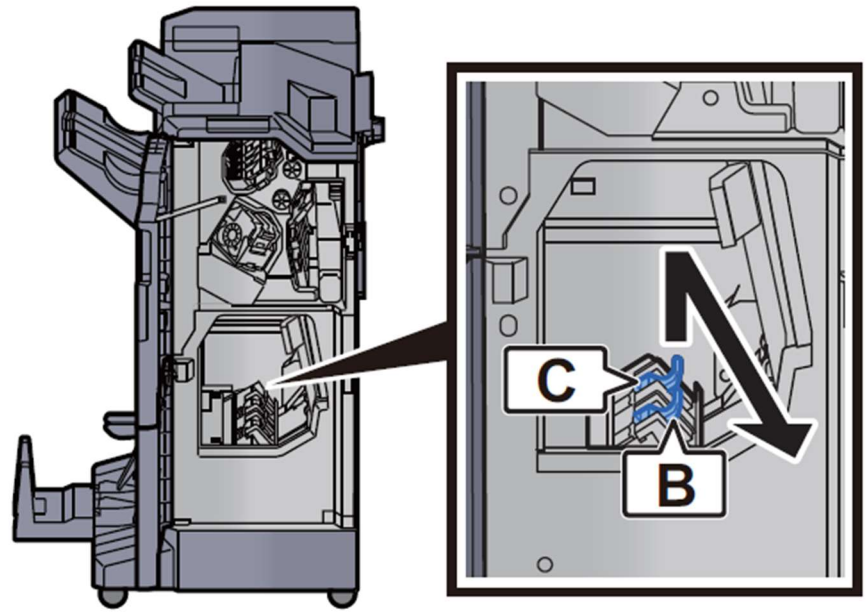
- 1 Open the finisher front cover 1 and 2.



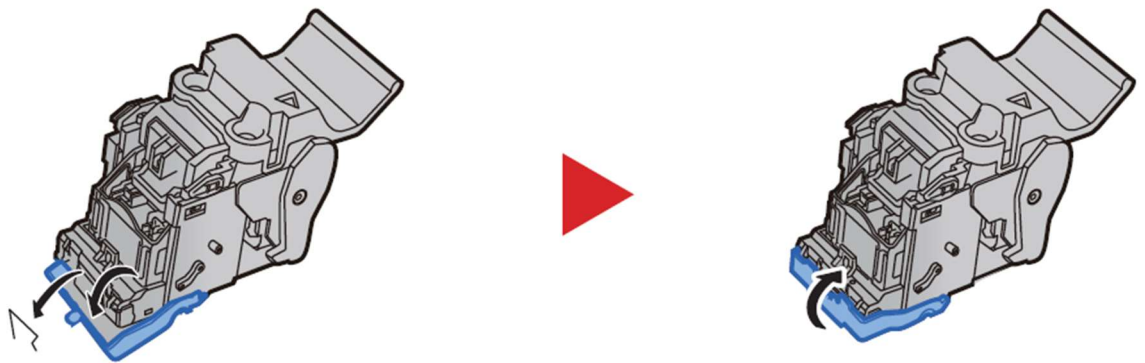
- 2 Remove paper from inside the finisher.



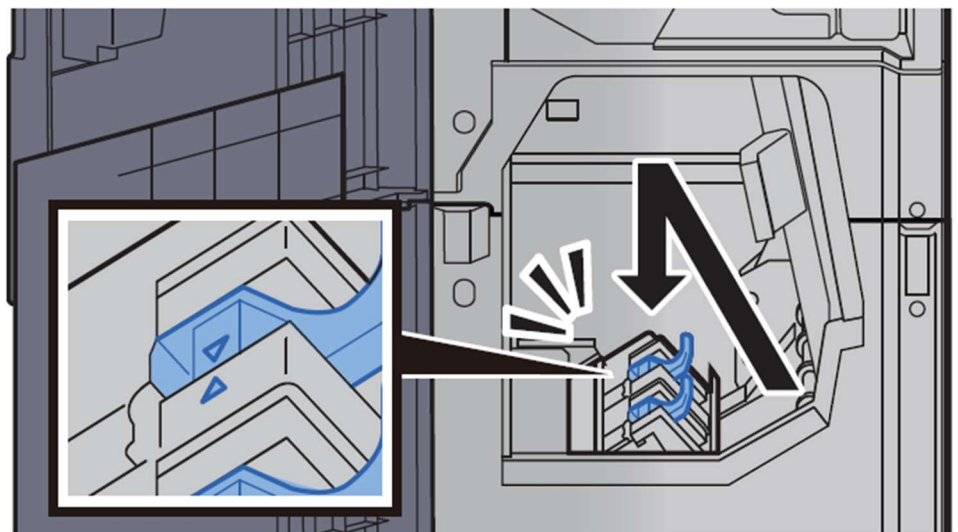
3 Remove the Staple Cartridge Holder (B) or (C).



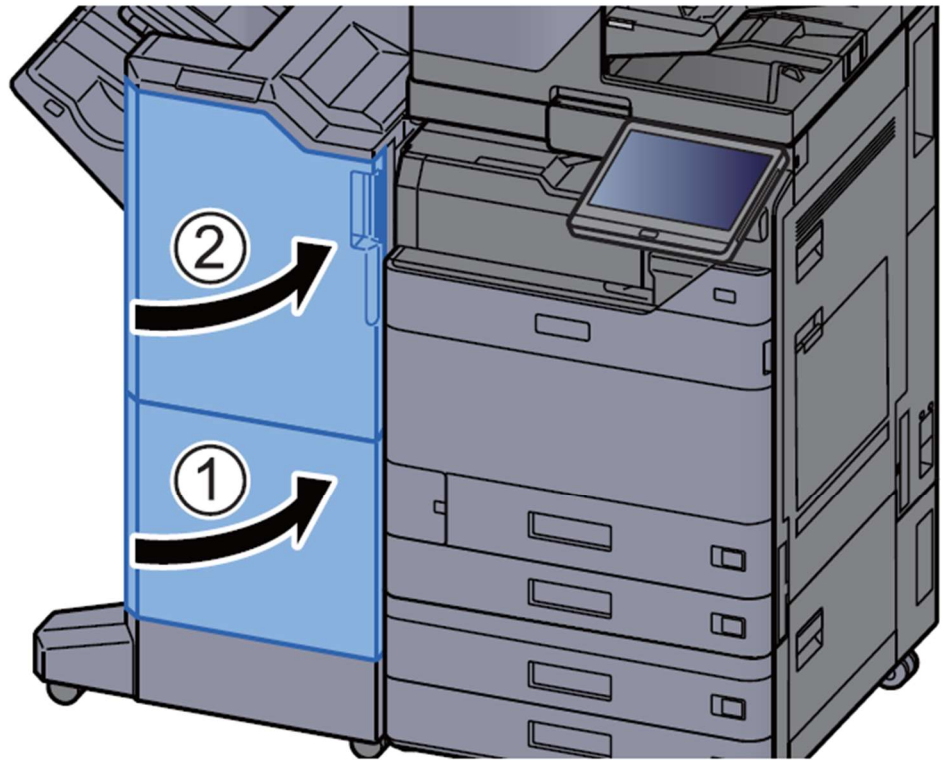
4 Remove the jammed staple.



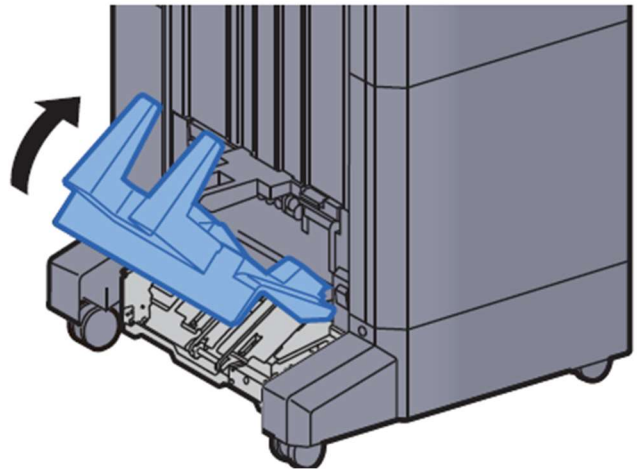
5 Install the Staple Cartridge Holder (B) or (C).



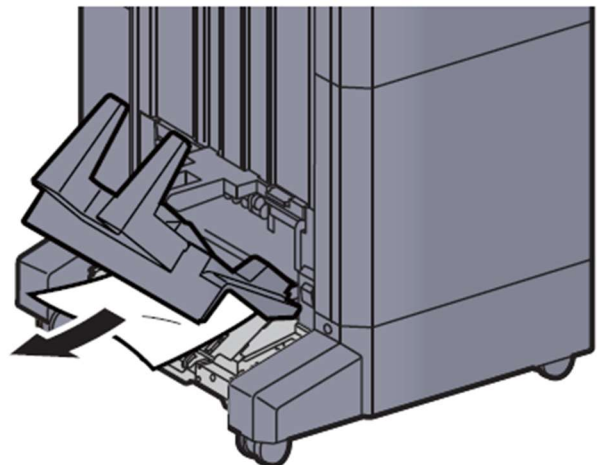
6 Return the covers to the original position.



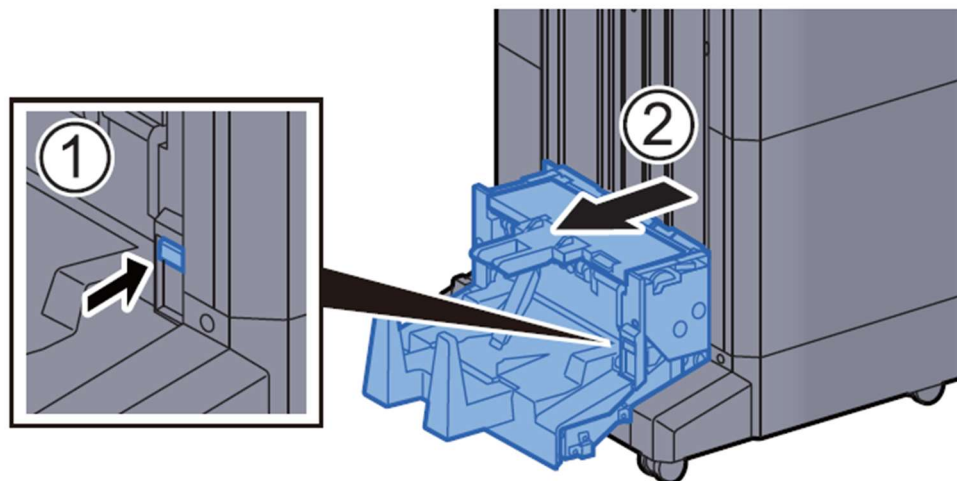
7 Lift the folding tray.



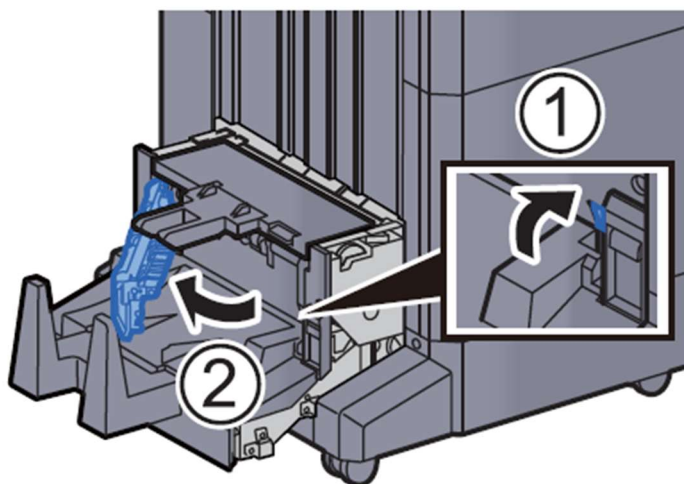
8 Remove any jammed paper.



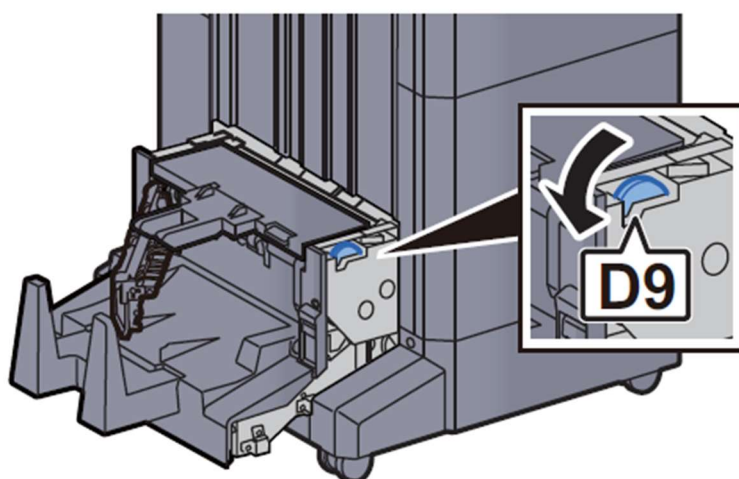
9 Press the release lever to pull the folding unit out.



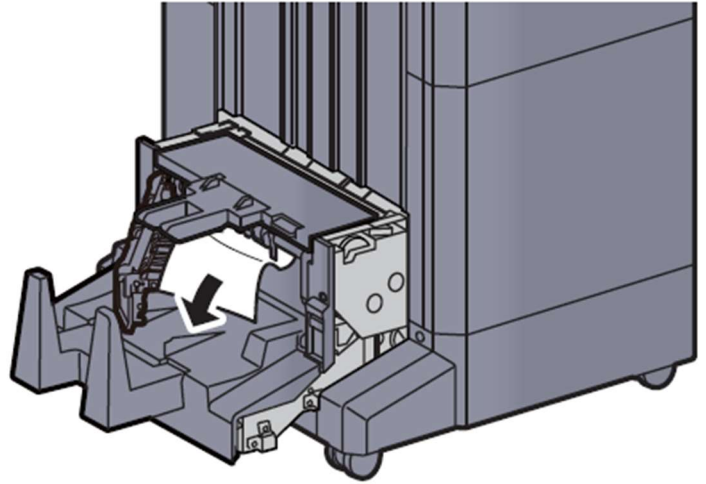
10 Open the folding unit left cover.



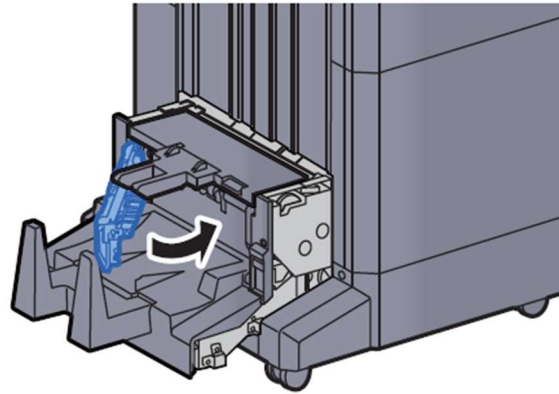
11 Turn dial (D9).



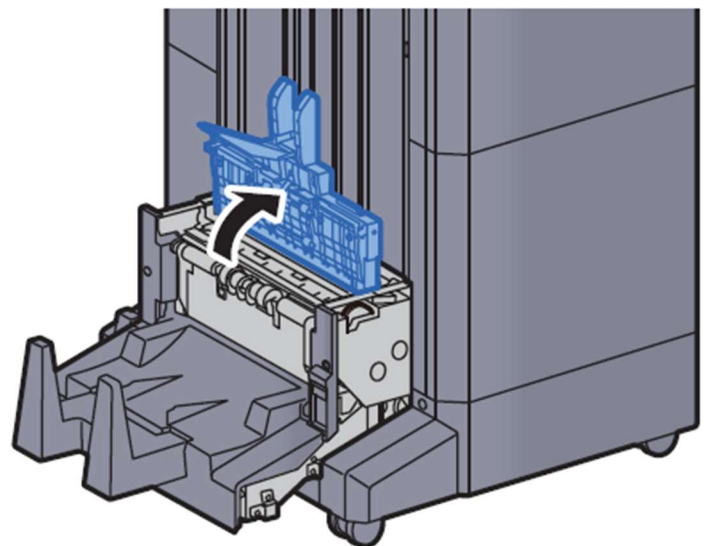
12 Remove any jammed paper.



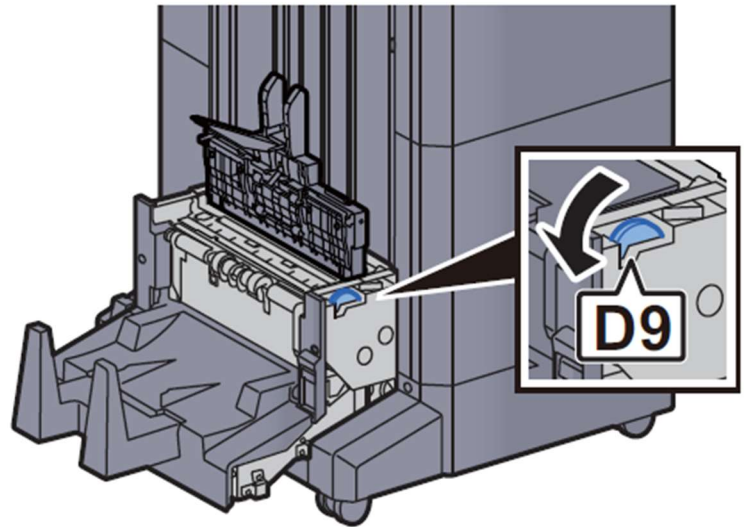
13 Return the folding unit left cover to the original position.



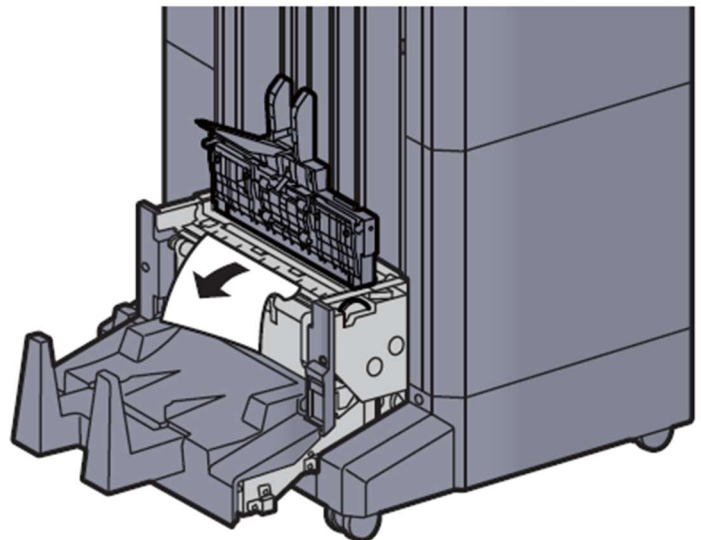
14 Open the folding unit top cover.



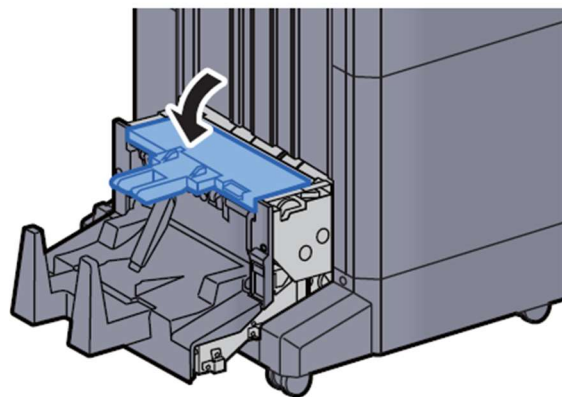
15 Turn dial (D9).



16 Remove any jammed paper.



17 Return the folding unit top cover to the original position.



18 Return the folding unit to the original position.

