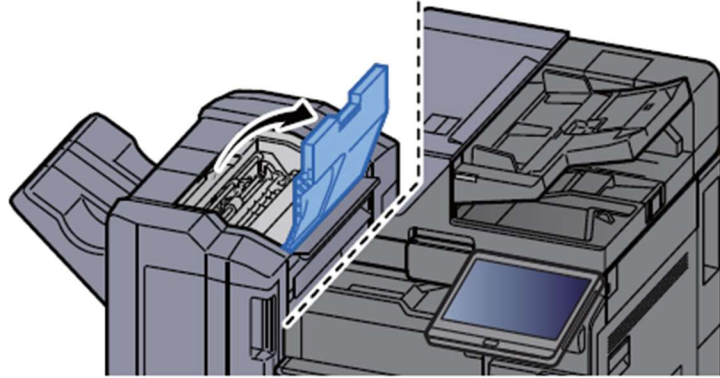


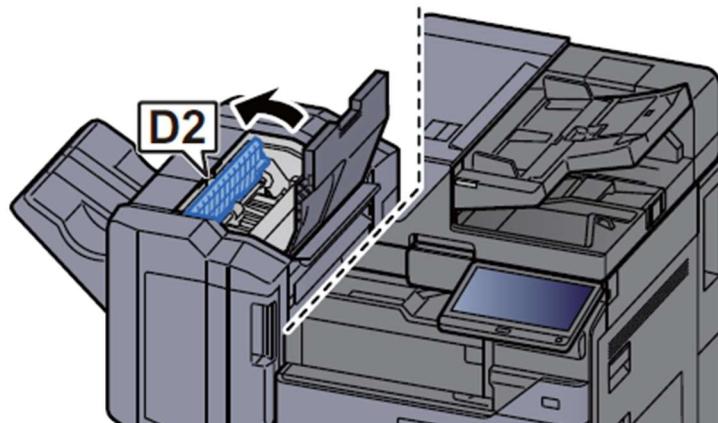
# Clearing a Staple Jam

## Clearing a staple jam of the 1,000-Sheet Finisher

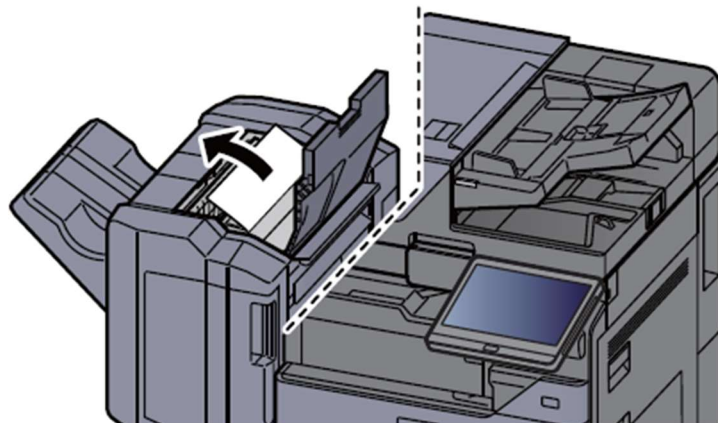
**1** Open the finisher top cover.



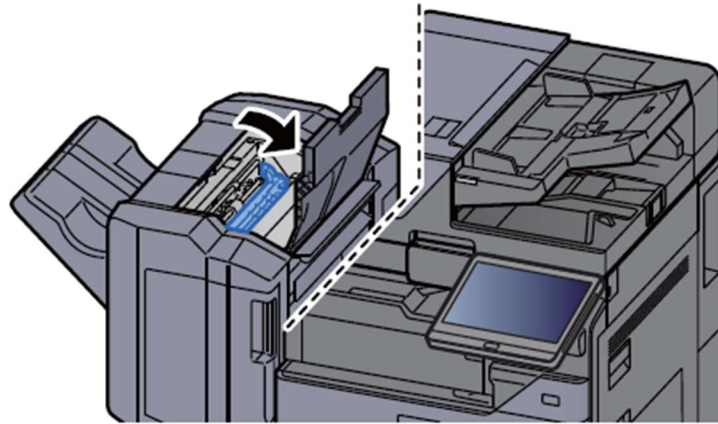
**2** Open the conveyor guide (D2).



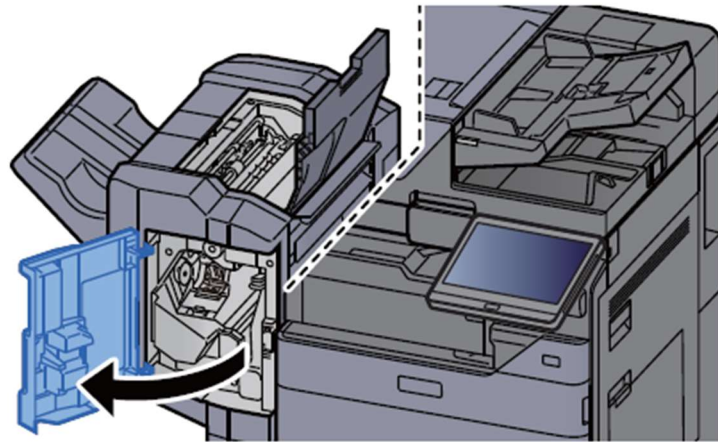
**3** Remove any jammed paper.



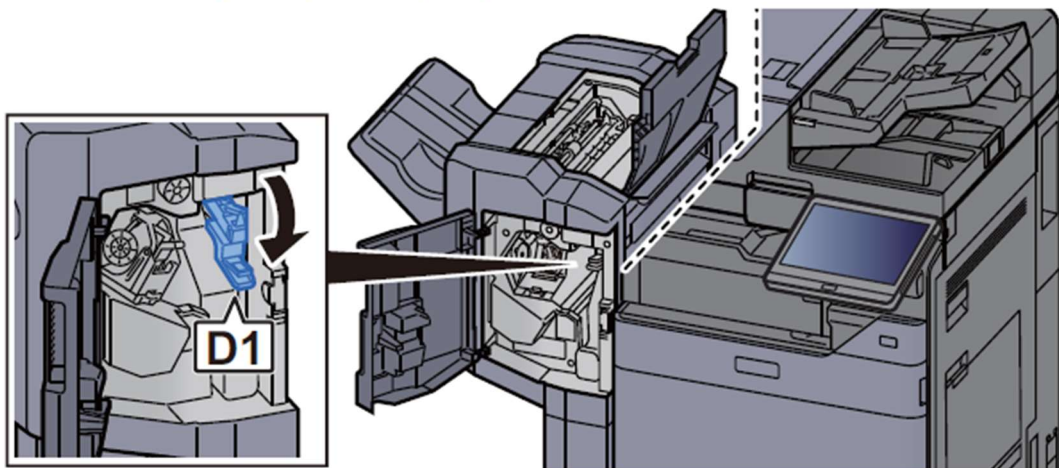
**4** Return the conveyor guide (D2) to the original position.



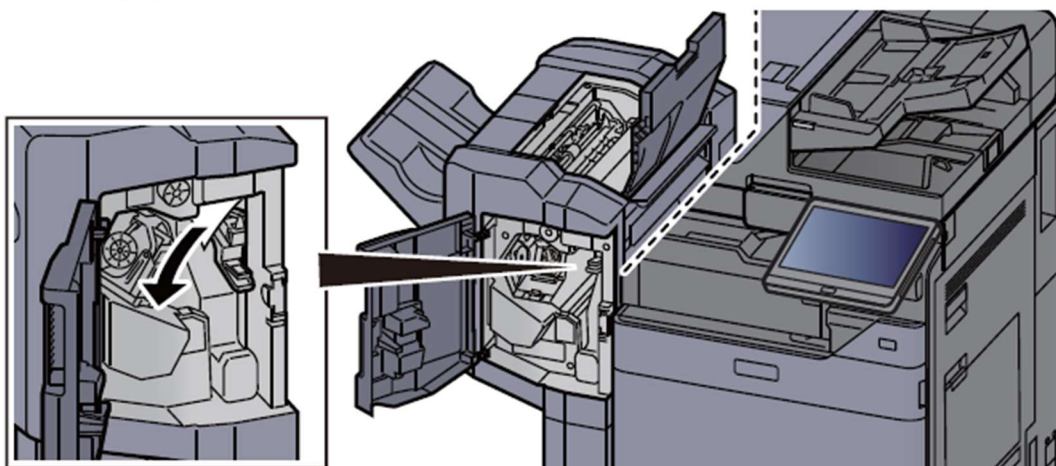
**5** Open the finisher front cover.



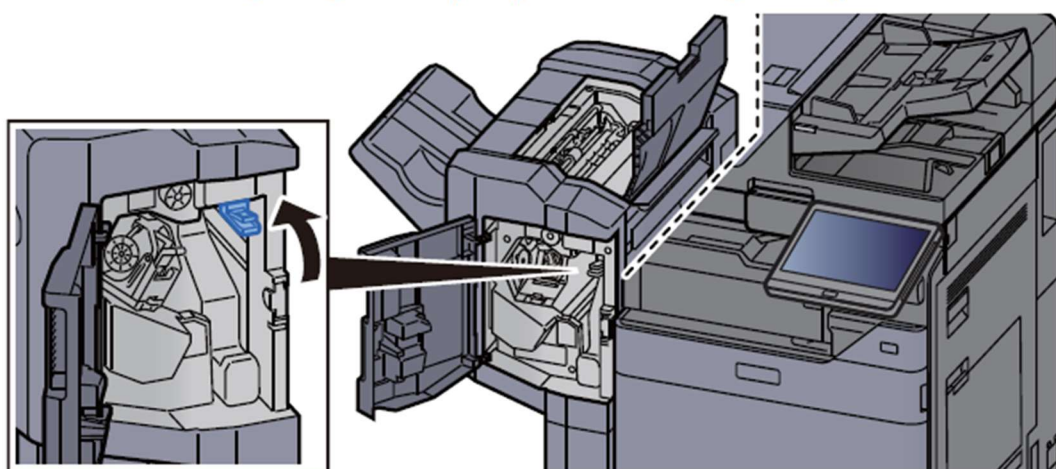
**6** Open the conveyor guide (D1).



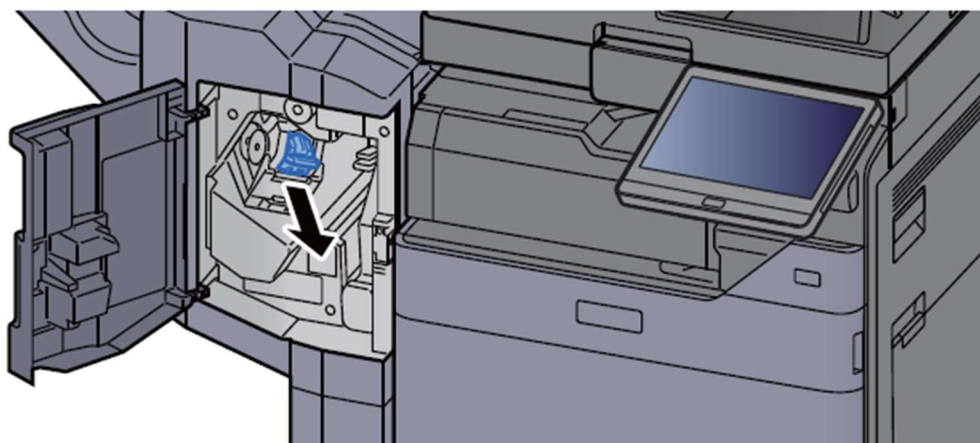
**7 Remove any jammed paper.**



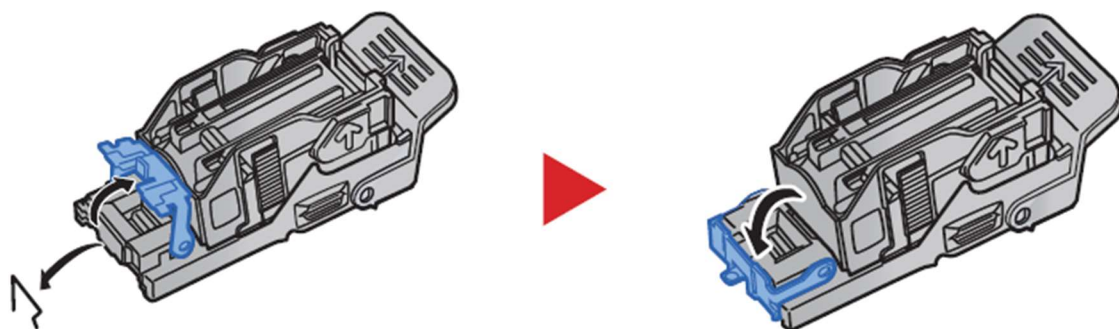
**8 Return the conveyor guide (D1) to the original position.**



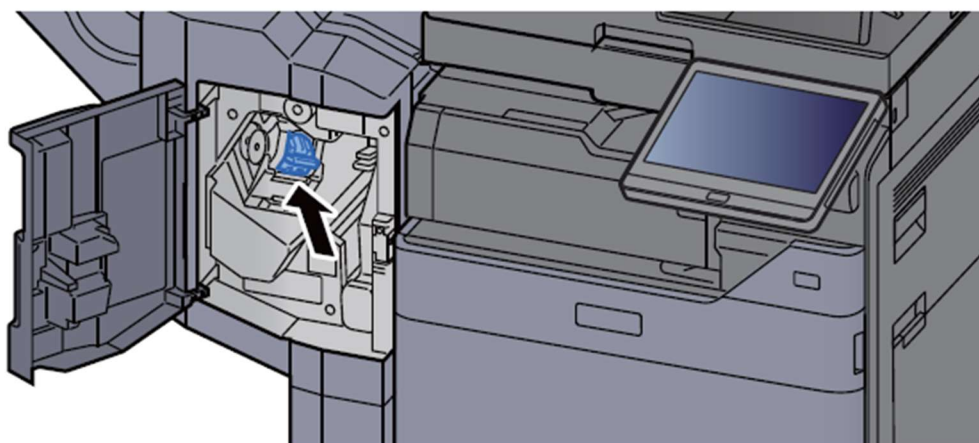
**9 Remove the Staple Cartridge Holder.**



**10 Remove the jammed staple.**



**11 Install the Staple Cartridge Holder.**



**12 Return the covers to the original position.**

