

Regular Maintenance

Replace the Waste Toner Box

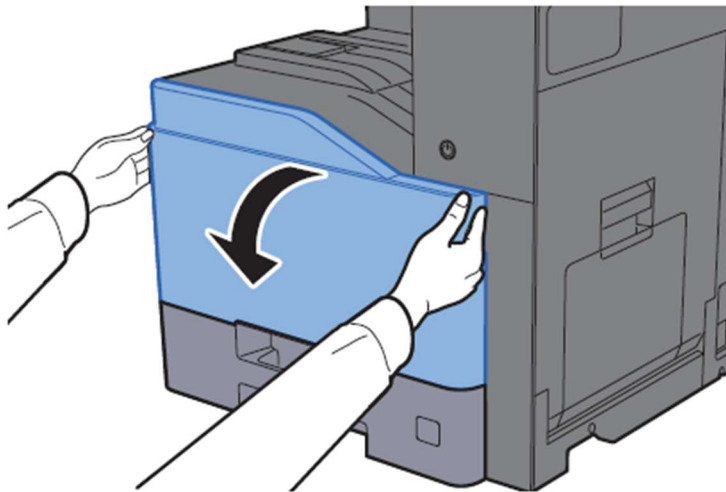
When the waste toner box is full, the following message will be displayed. Immediately replace the waste toner box.
"Replace the waste toner box."

CAUTION

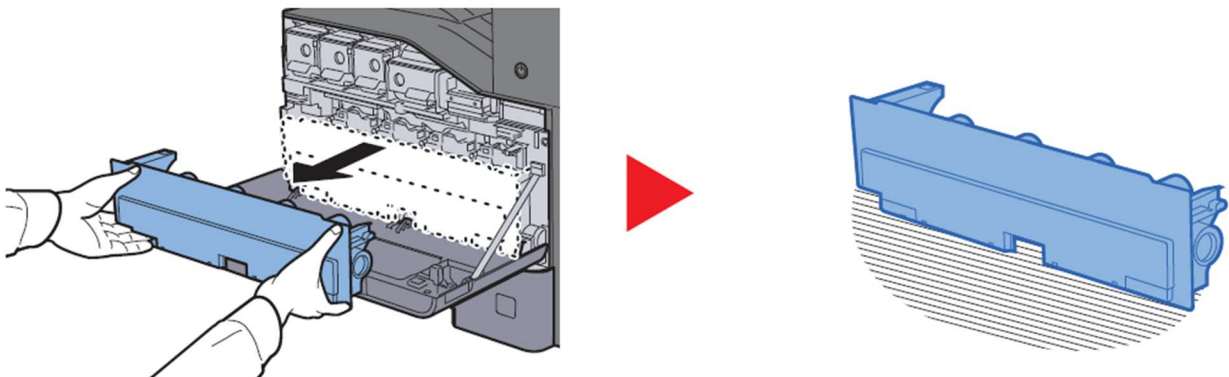
Do not attempt to incinerate parts which contain toner. Dangerous sparks may cause burns.

TASK Kalfa 358ci

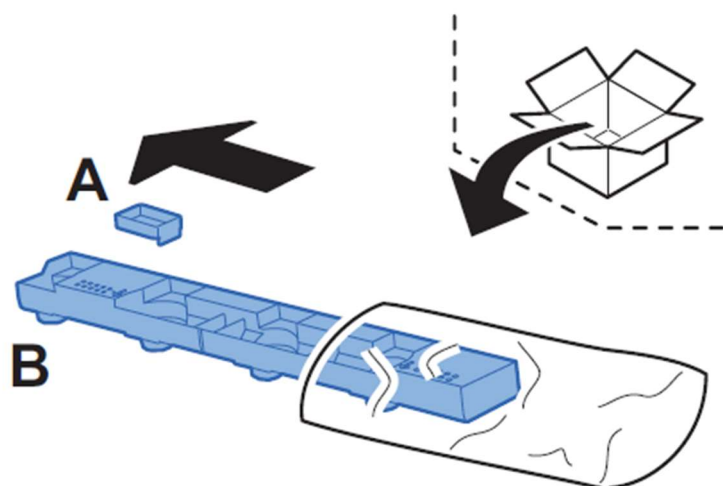
1 Open the front cover.



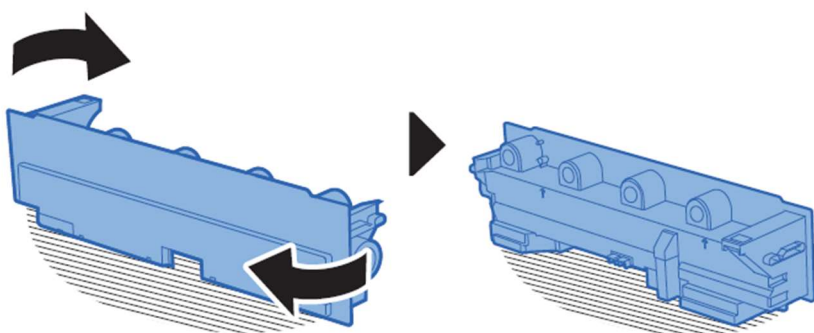
2 Remove the Waste Toner Box and put it on the flat surface.



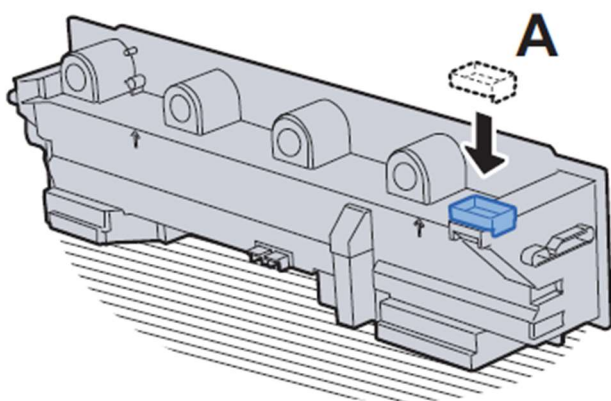
3 Unpack the caps inside the carton box.



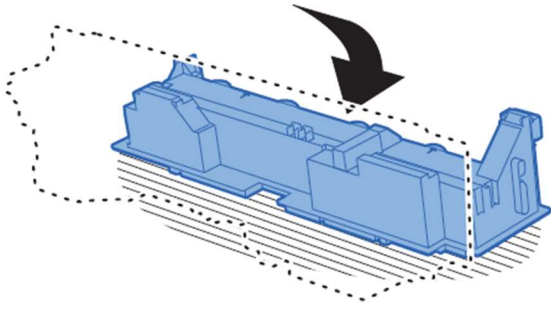
4 Change the direction of the used Waste Toner Box as show below.



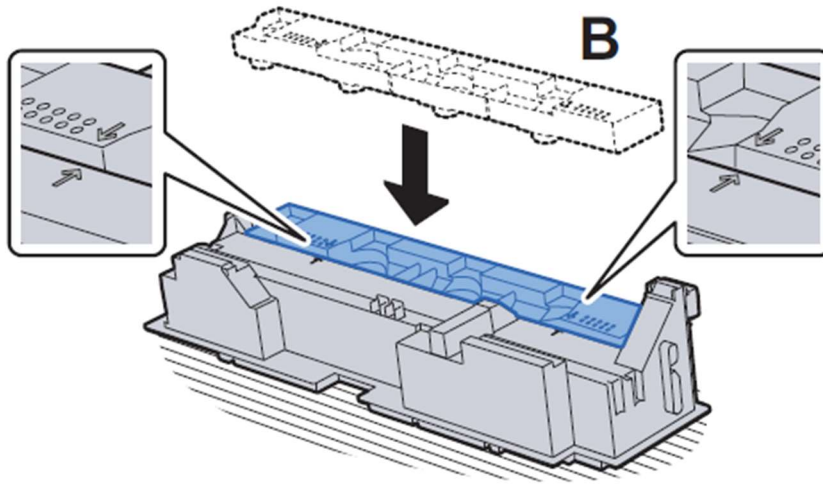
5 Attach the Cap A.



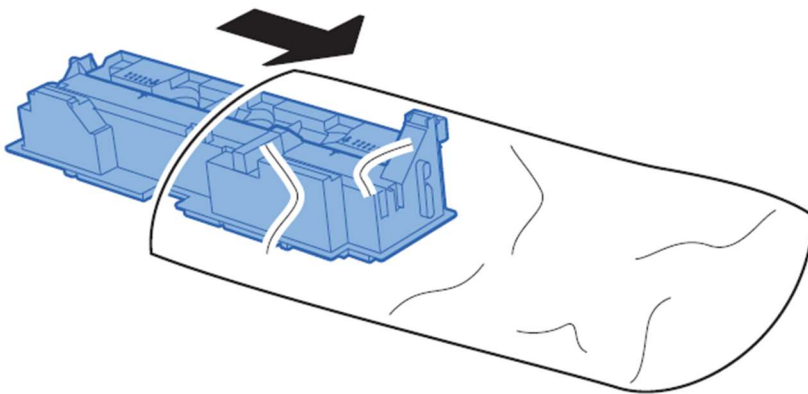
- 6** Change the direction of the used Waste Toner Box as show below.



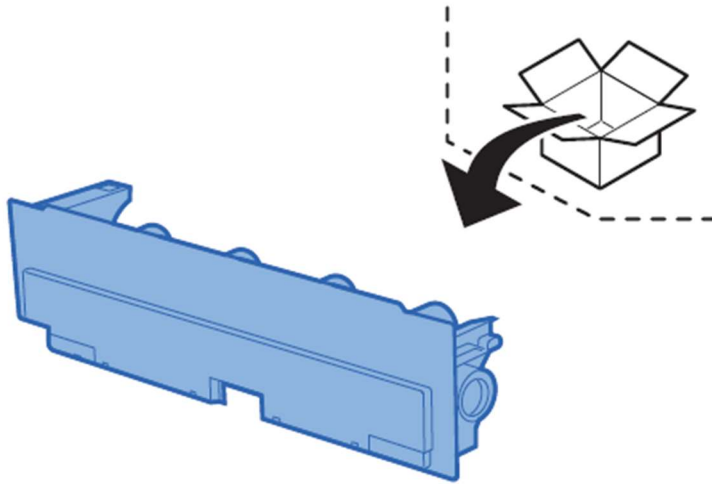
- 7** Attach the Cap B.



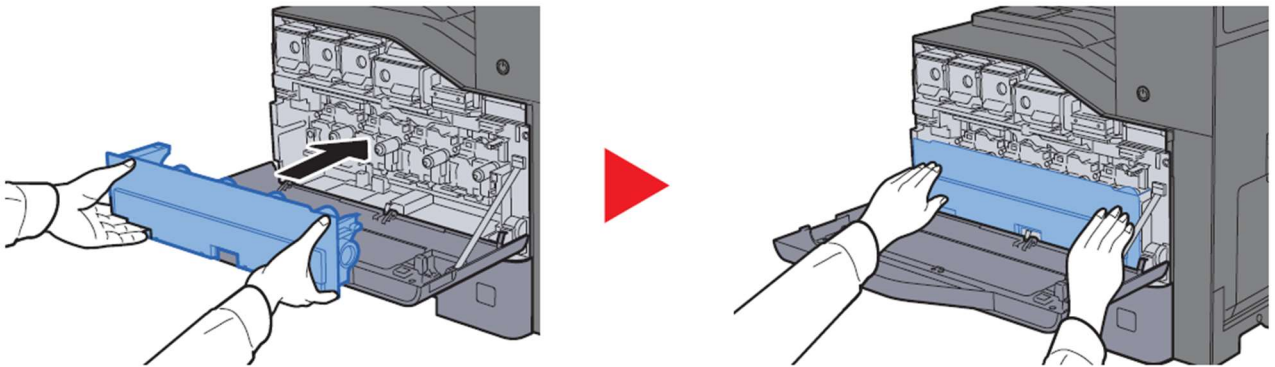
- 8** Put the used Waste Toner Box into the plastic waste bag.



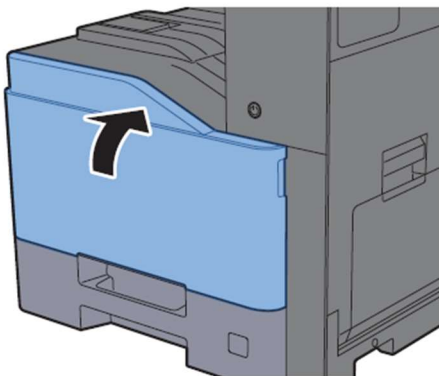
9 Unpack the new Waste Toner Box.



10 Install the new Waste Toner Box.



11 Close the front cover.



NOTE

Return the exhausted waste toner box to your dealer or service representative. The collected waste toner box will be recycled or disposed in accordance with the relevant regulations.

