

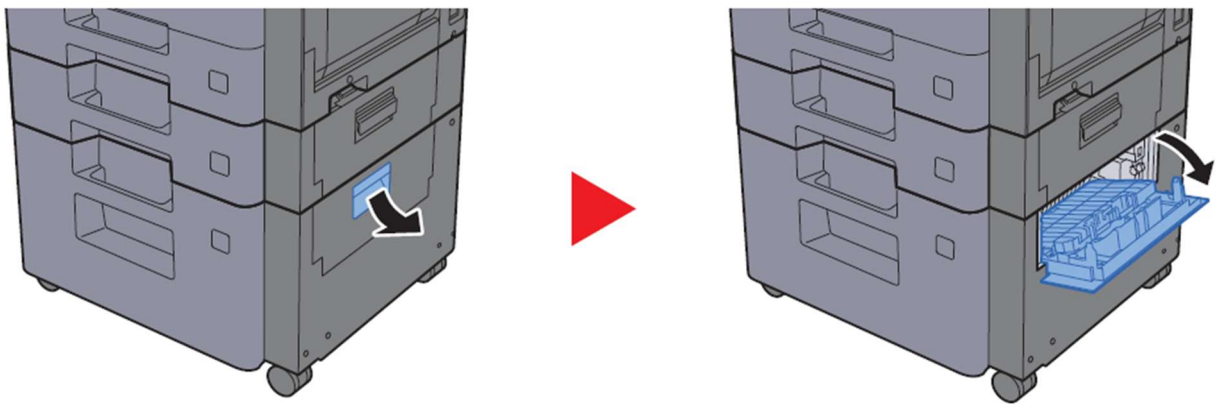
# Clearing Paper Jams

## Remove any jammed paper in Right Cover 3 (2000-sheet × 1)

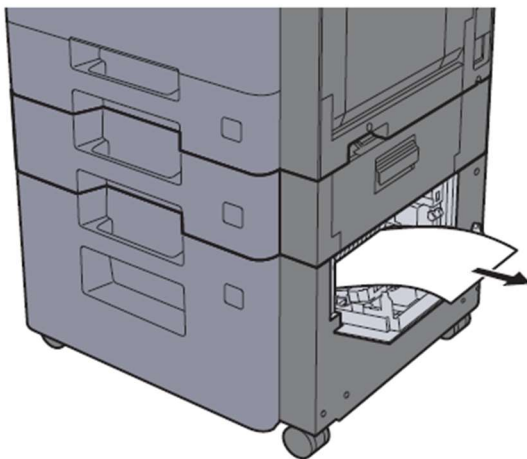
### CAUTION

- Do not reuse jammed papers.
- If the paper tears during removal, be sure to remove any loose scraps of paper from inside the machine. Scraps of paper left in the machine could cause subsequent jamming.

### **1** Open Right Cover 3.



### **2** Remove any jammed paper.



**3 Push Right Cover 3.**

