

Clearing Paper Jams

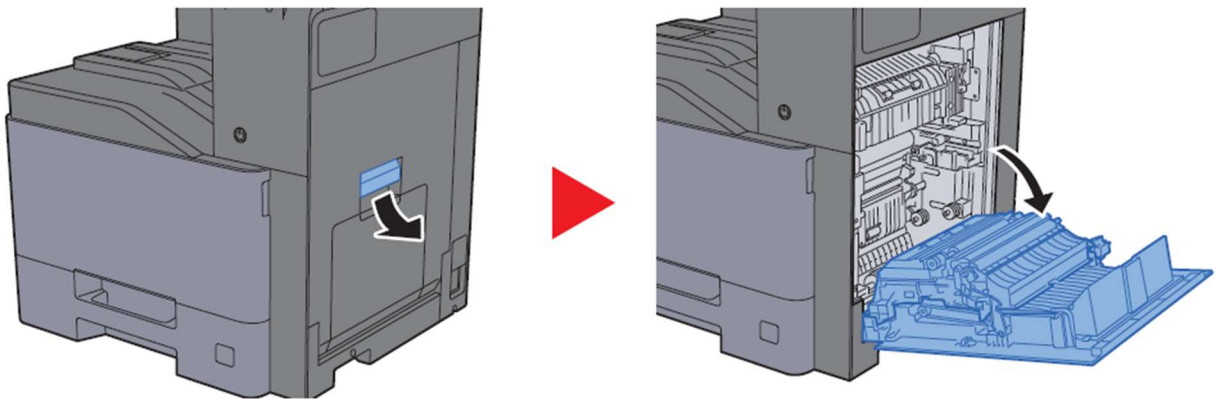
Remove any jammed paper in Right Cover 1



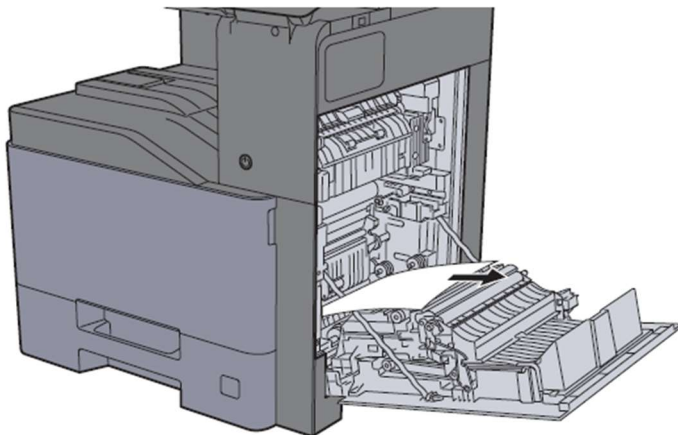
CAUTION

The fixing unit is extremely hot. Take sufficient care when working in this area, as there is a danger of getting burned.

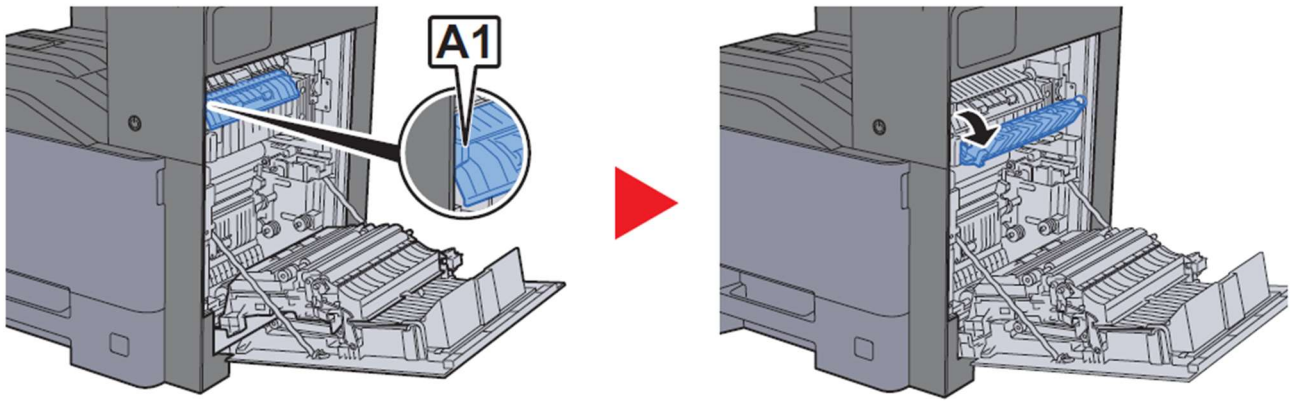
1 Open Right Cover 1.



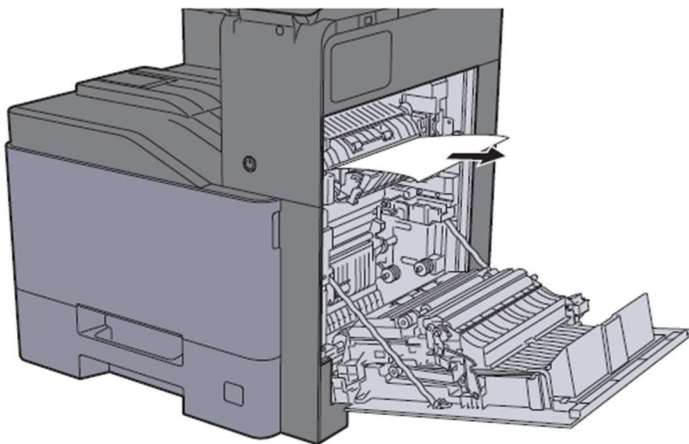
2 Remove any jammed paper.



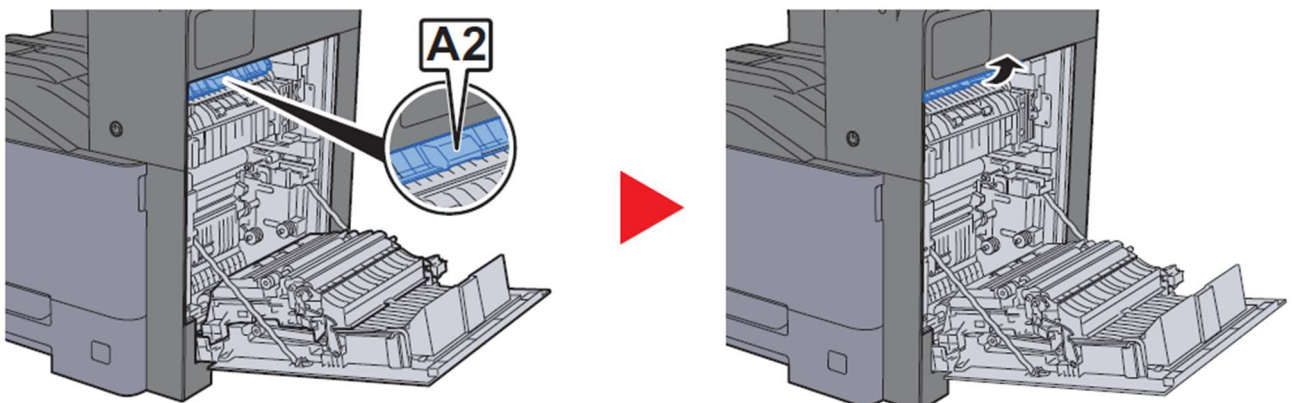
3 Open the cover (A1).



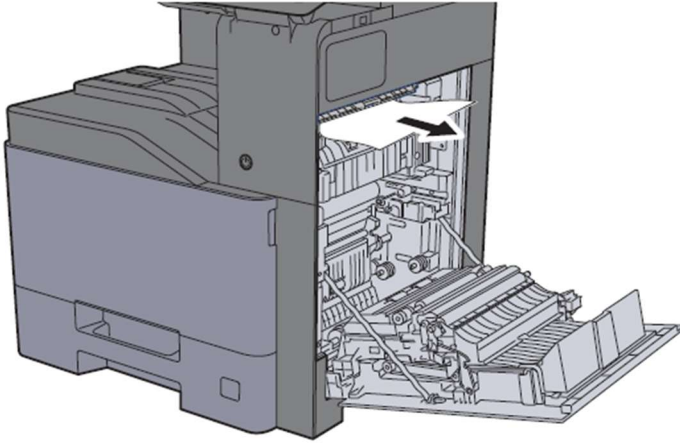
4 Remove any jammed paper.



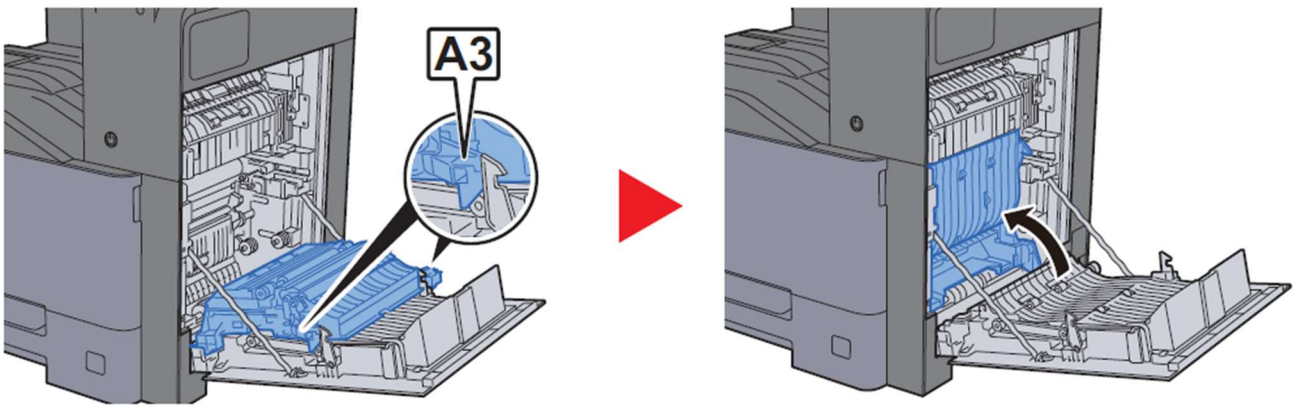
5 Open the cover (A2).



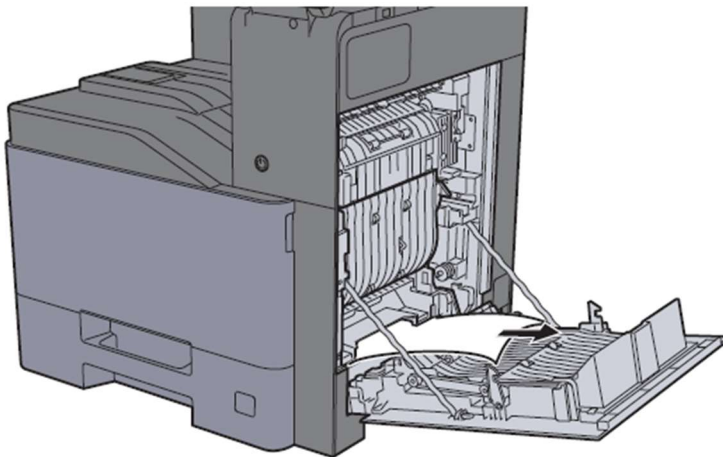
6 Remove any jammed paper.



7 Open the duplex unit (A3).



8 Remove any jammed paper.



9 Push Right Cover 1.

