

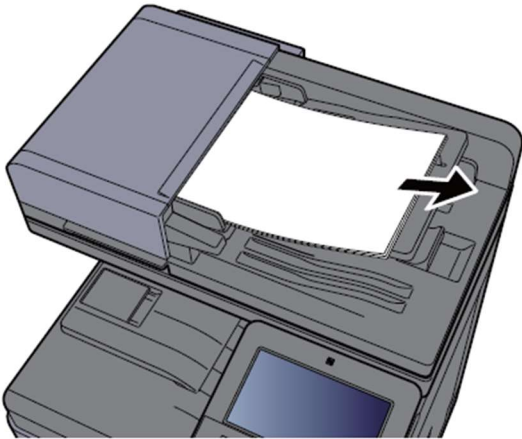
# Clearing Paper Jams

## Remove any jammed paper in the Document Processor (Reverse Automatic)

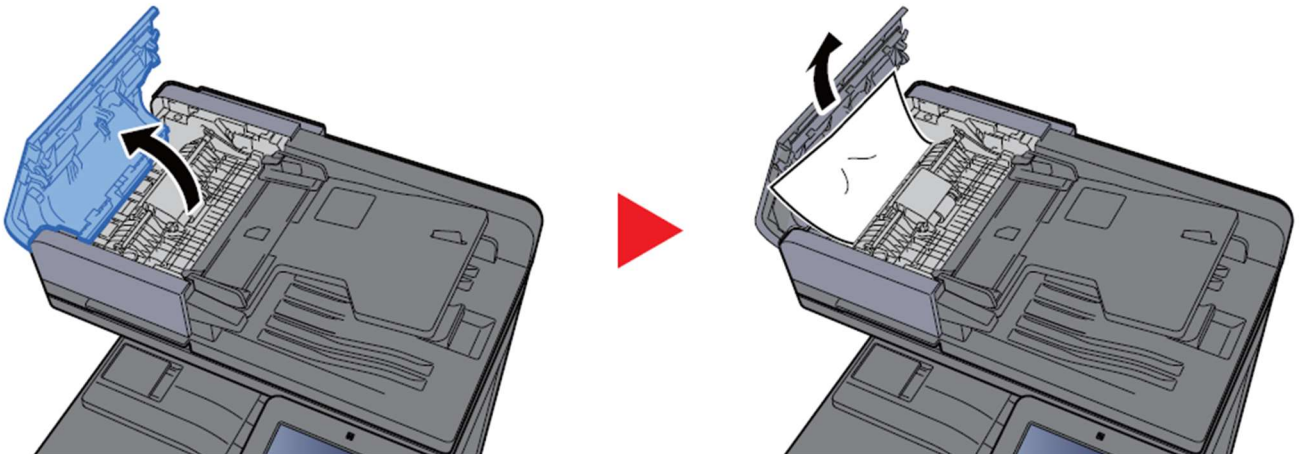
### CAUTION

If the paper tears during removal, be sure to remove any loose scraps of paper from inside the machine. Scraps of paper left in the machine could cause subsequent jamming.

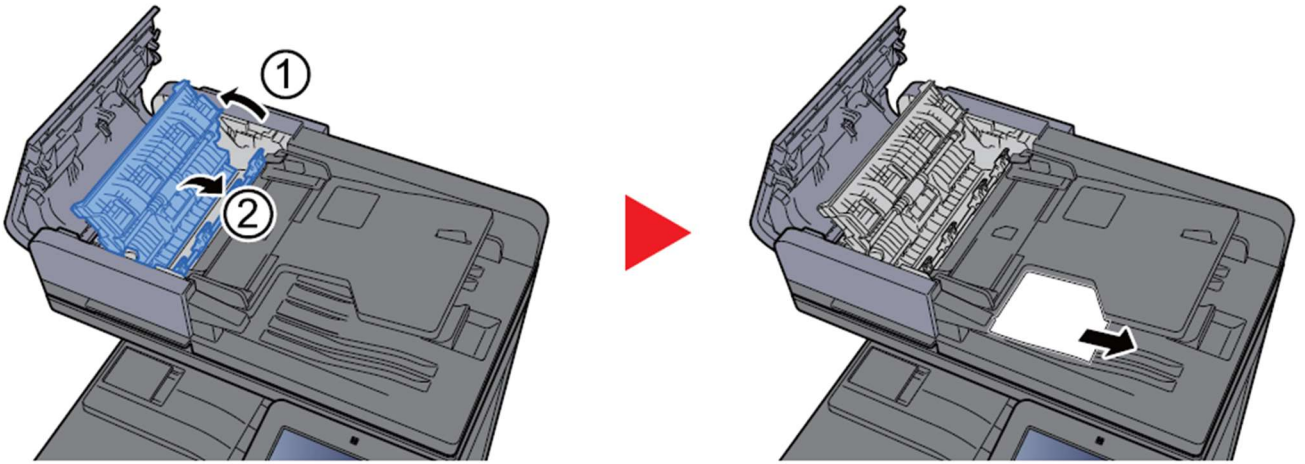
### **1 Remove the originals from the Original Table.**



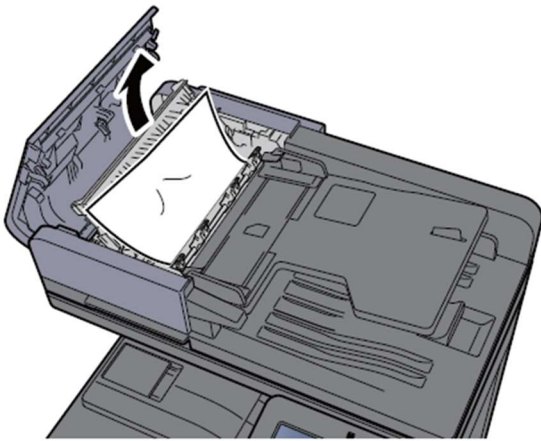
### **2 Open the front cover and remove any jammed paper.**



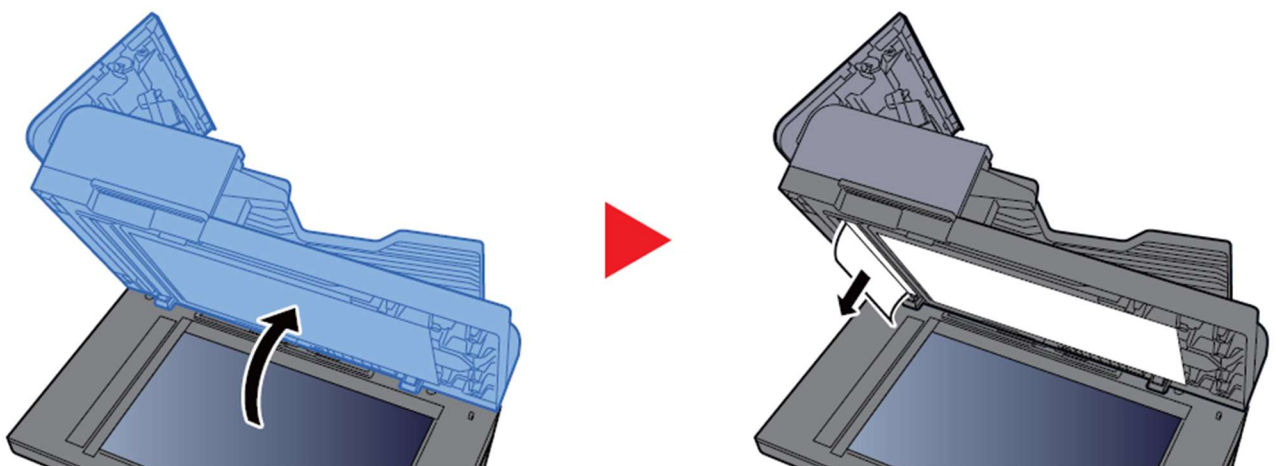
- 3** Open Reverse Unit (F) and remove any jammed paper from Original Eject Table.



- 4** Remove the originals from the reverse unit.



- 5** Remove originals inside the document processor.



**6 Push the cover.**

