

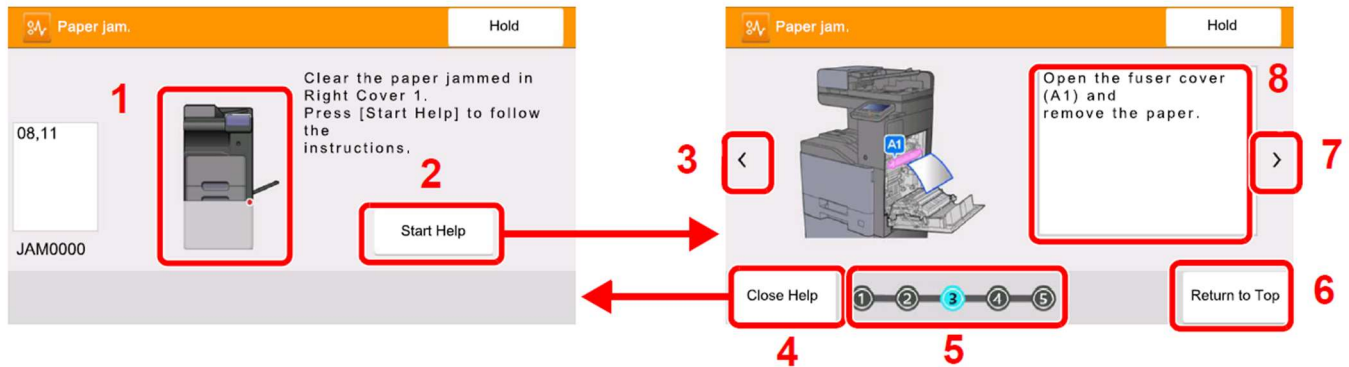
Clearing Paper Jams

If a paper jam occurs, printing stops and the location at which the paper jam has occurred and the following message appear on the touch panel.

"Paper Jam."

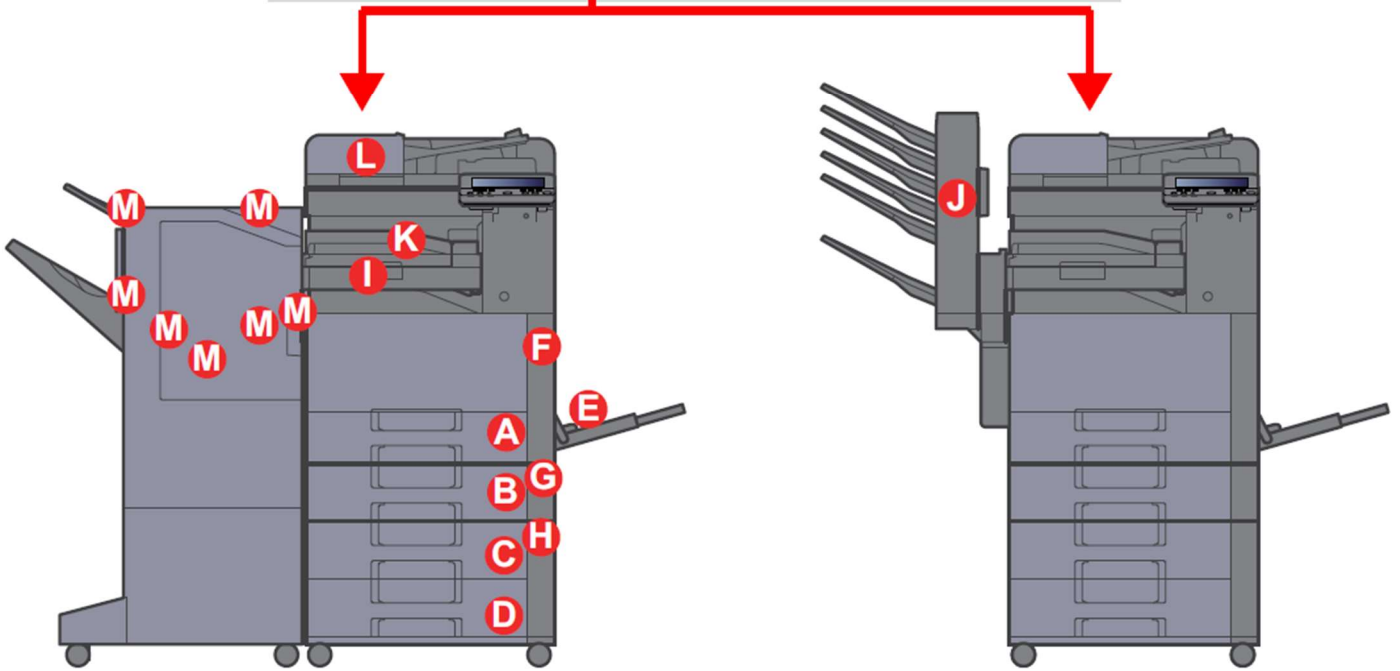
Refer to these procedures to remove the jammed paper.

Jam Location Indicators



- 1 Shows the location of a paper jam.
- 2 Shows the Help screen. The Help screen shows the procedure to clear the jam.
- 3 Returns to the previous step.
- 4 Closes the Help screen and returns to the original screen.
- 5 Shows the selected step.
- 6 Returns to step 1.
- 7 Advances to the next step.
- 8 Shows the removal procedure.

If a paper jam occurs, the location of the jam will be displayed on the touch panel as well as the clearing instructions.



Paper Jam Location Indicator	Paper Jam Location
A	Cassette 1
B	Cassette 2
C	Cassette 3 (500-sheet × 2)
	Cassette 3 (2000-sheet × 1)
D	Cassette 4 (500-sheet × 2)
E	Multipurpose Tray
F	Right Cover 1
G	Right Cover 2
H	Right Cover 3
I	Bridge Unit
J	Mailbox
K	Inner Finisher
L	Document Processor
M	1,000-Sheet Finisher
	3,000-Sheet Finisher (Tray A)
	3,000-Sheet Finisher (Tray B)

After you remove the jam, the machine will warm up again and the error message will be cleared. The machine resumes with the page that was printing when the jam occurred.