

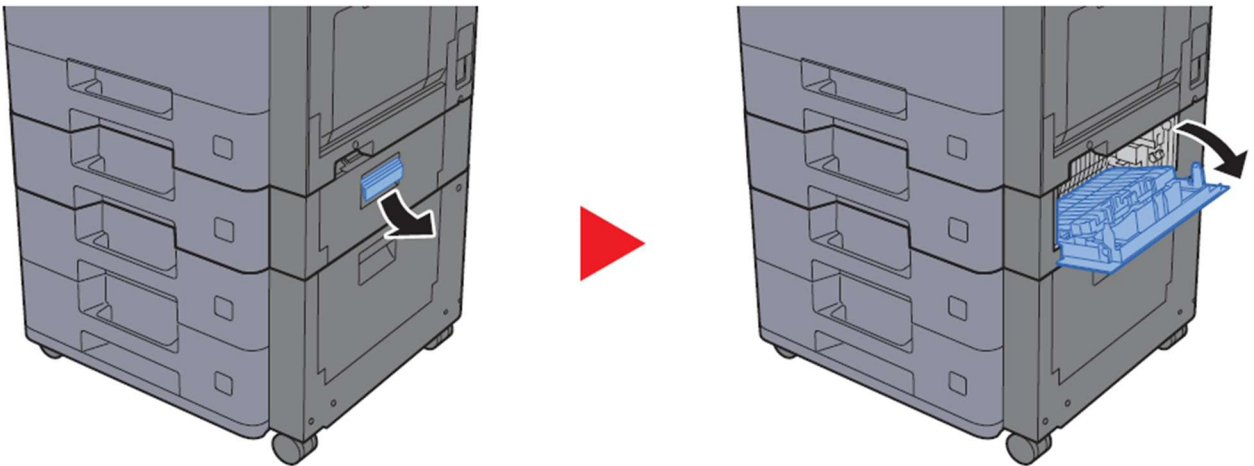
Clearing Paper Jams

Remove any jammed paper in Cassette 3 (500-sheet × 2)

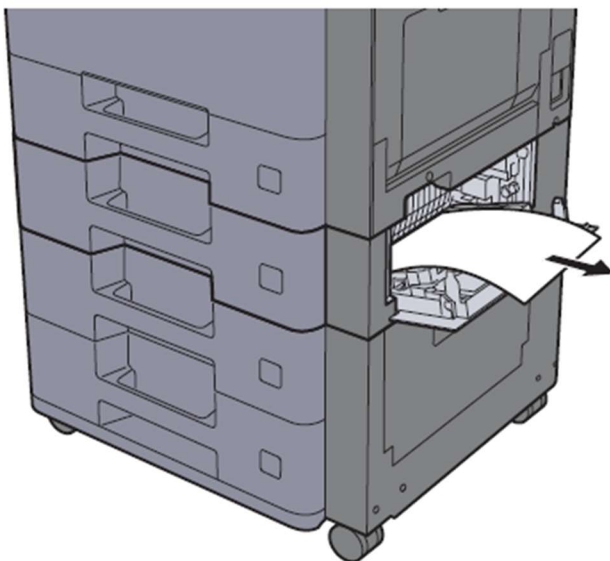
CAUTION

- Do not reuse jammed papers.
- If the paper tears during removal, be sure to remove any loose scraps of paper from inside the machine. Scraps of paper left in the machine could cause subsequent jamming.

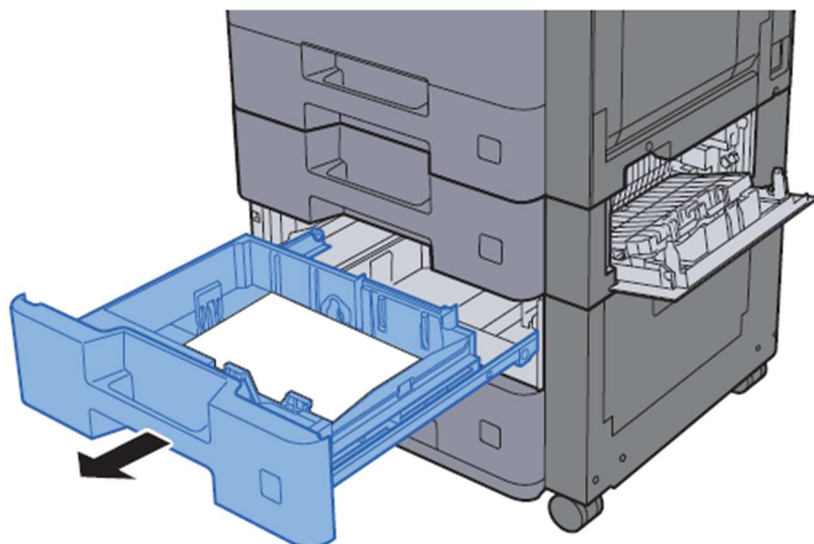
1 Open Right Cover 2.



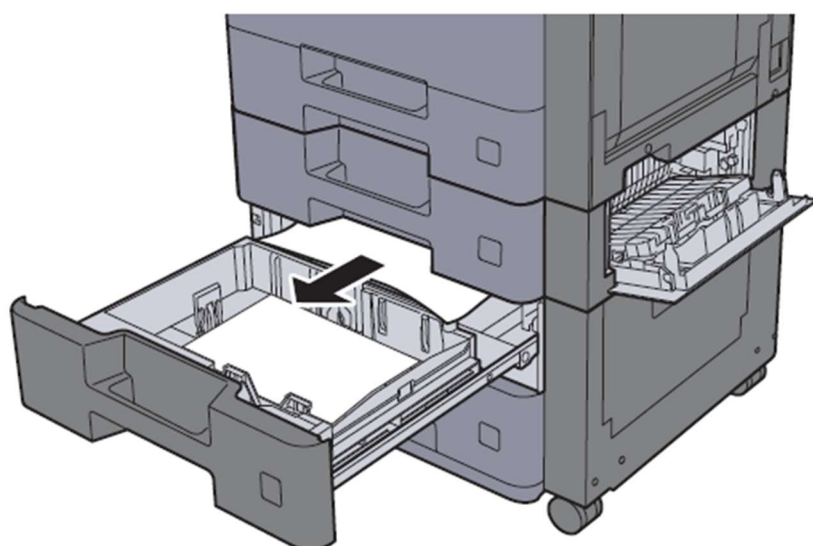
2 Remove any jammed paper.



3 Pull Cassette 3 out toward you until it stops.

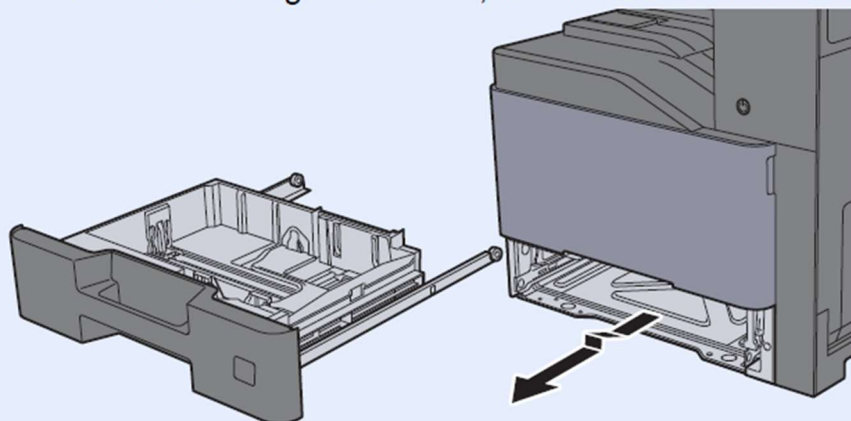


4 Remove any jammed paper.



NOTE

To remove paper which is difficult to get access to, the cassette can be removed.



5 Push Right Cover 2 and Cassette 3 back in.

