

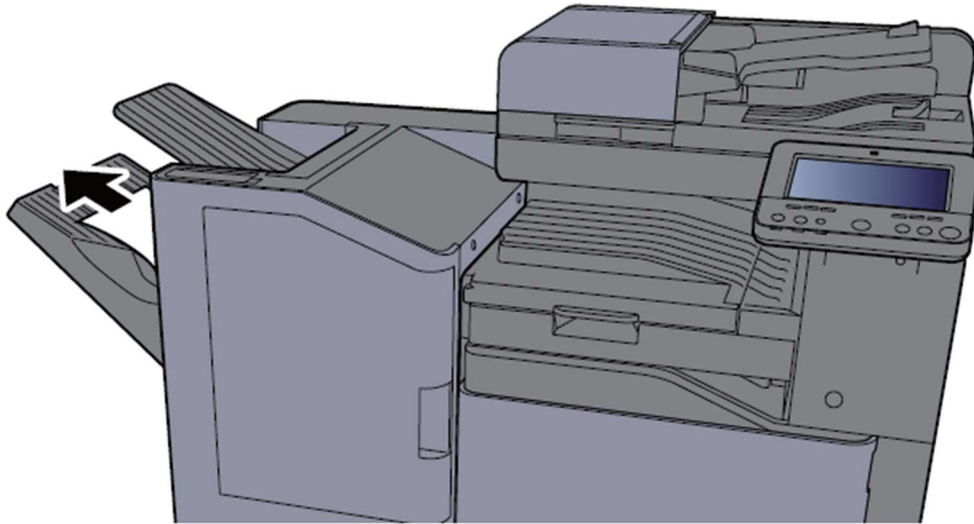
Clearing Paper Jams

Remove any jammed paper in the 3,000-sheet Finisher (Tray A)

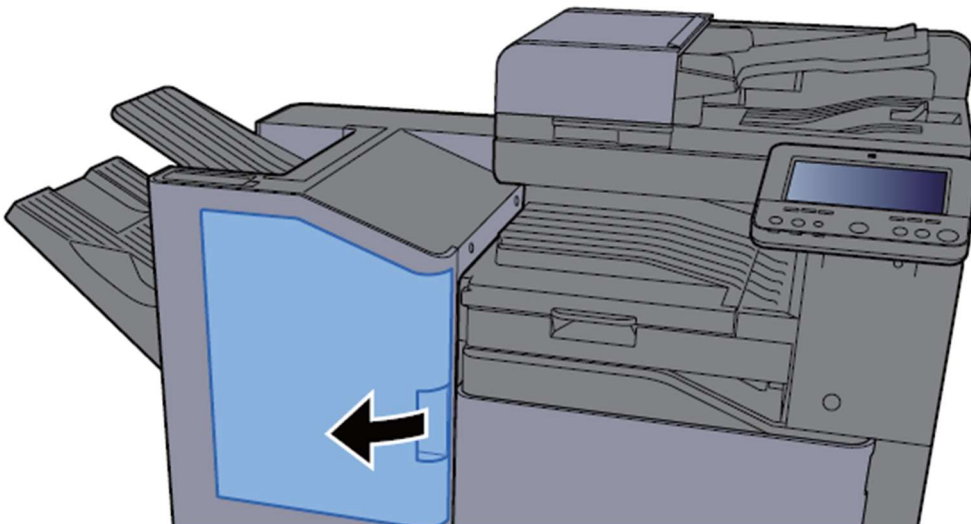
CAUTION

- Do not reuse jammed papers.
- If the paper tears during removal, be sure to remove any loose scraps of paper from inside the machine. Scraps of paper left in the machine could cause subsequent jamming.

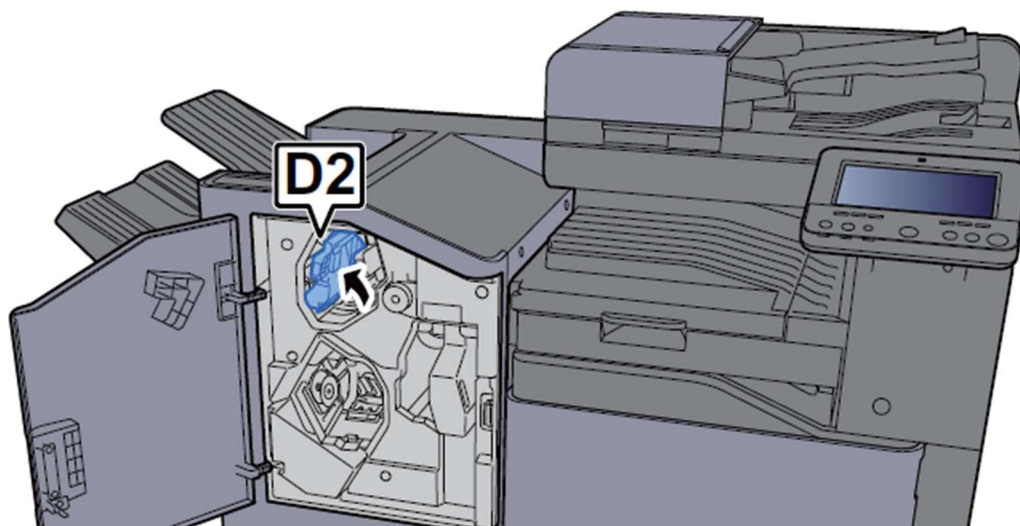
1 Remove any jammed paper.



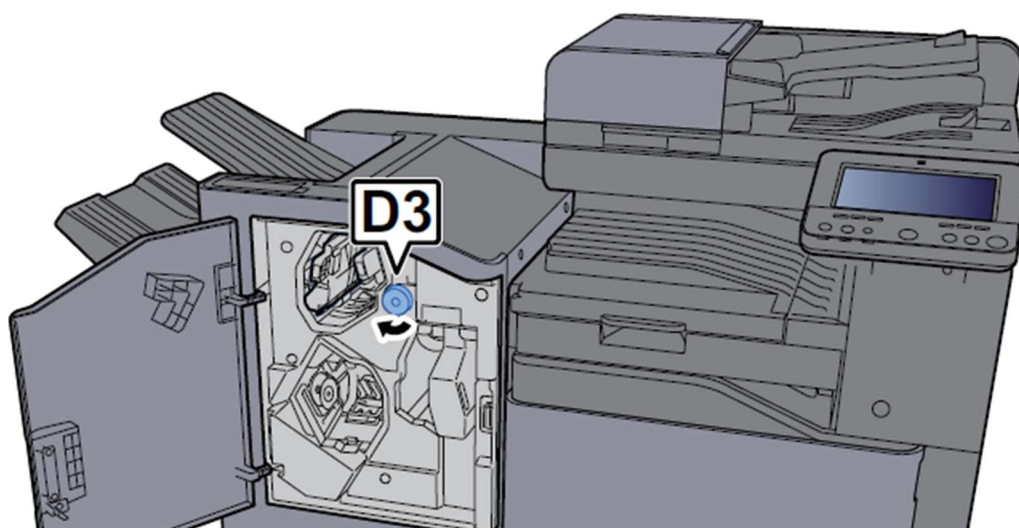
2 Open the front cover.



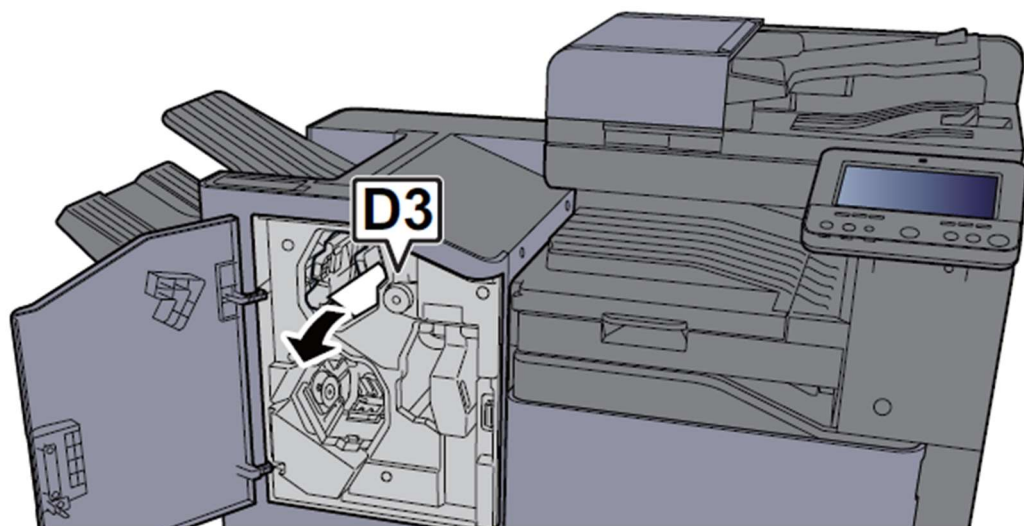
3 Open Conveyor Guide (D2).



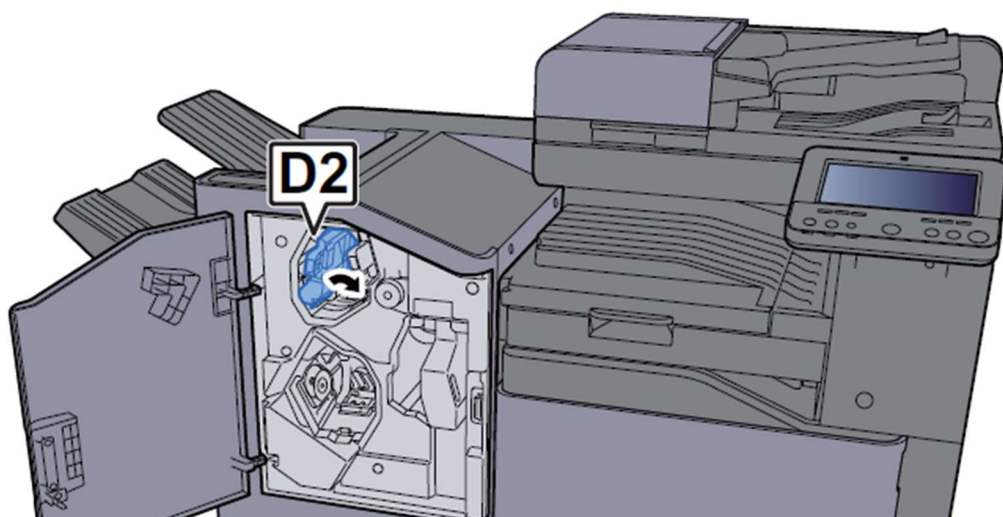
4 Turn Conveyor Knob (D3) clockwise.



5 Remove any jammed paper.



6 Return Conveyor Guide (D2) to the original position.



7 Close the front cover.

