

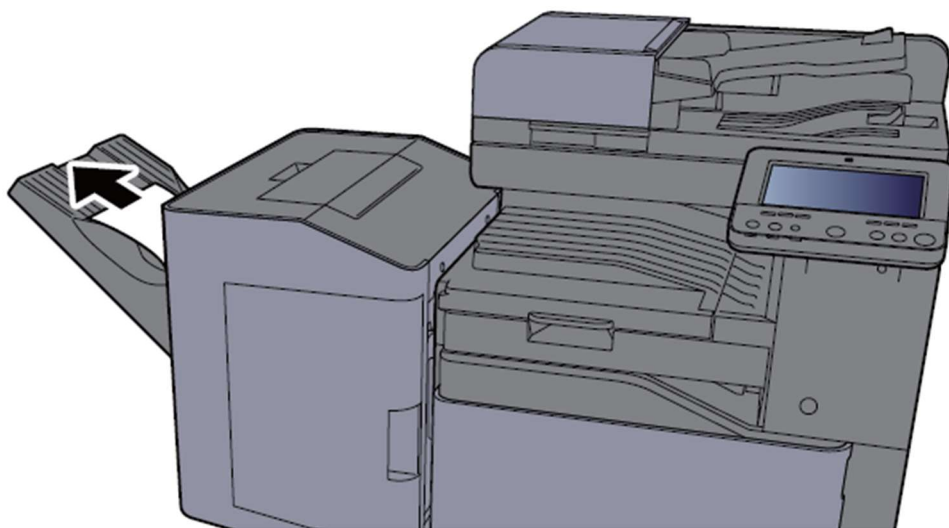
# Clearing Paper Jams

## Remove any jammed paper in the 1,000-Sheet Finisher

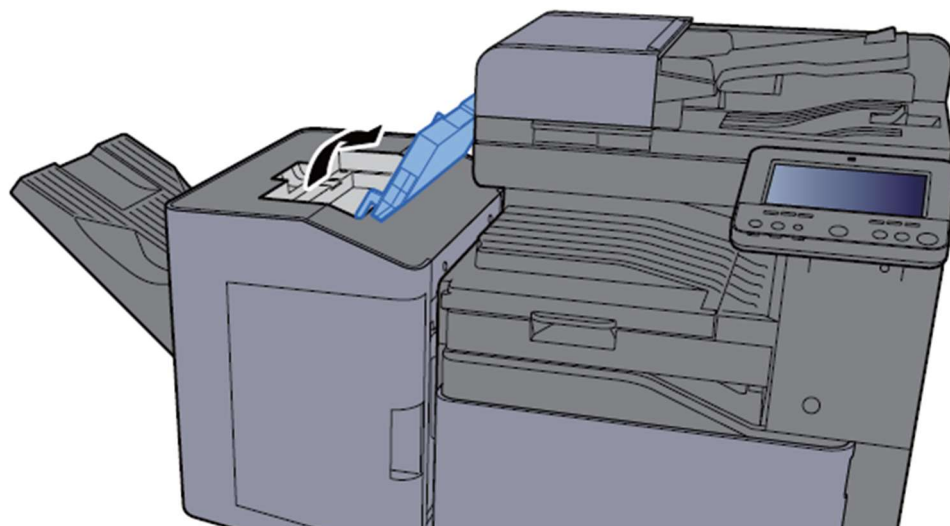
### CAUTION

- Do not reuse jammed papers.
- If the paper tears during removal, be sure to remove any loose scraps of paper from inside the machine. Scraps of paper left in the machine could cause subsequent jamming.

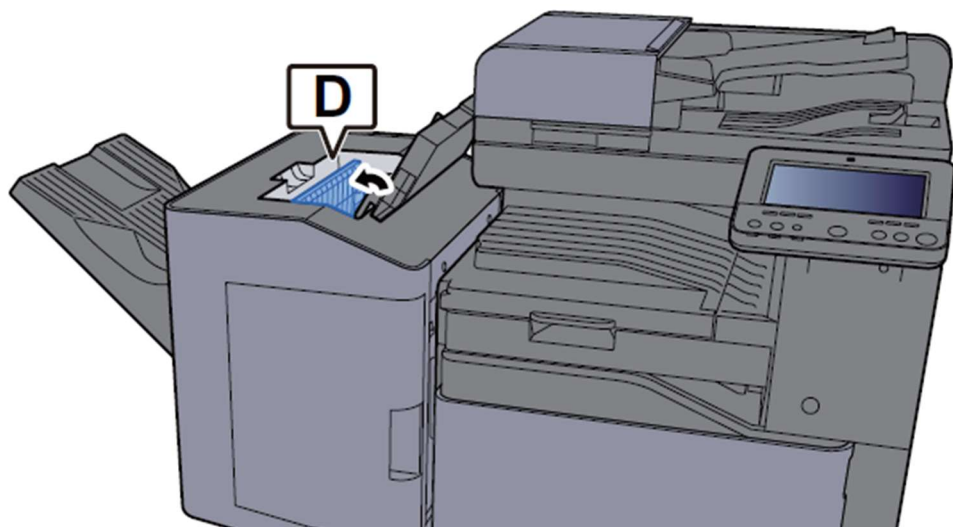
### **1** Remove any jammed paper.



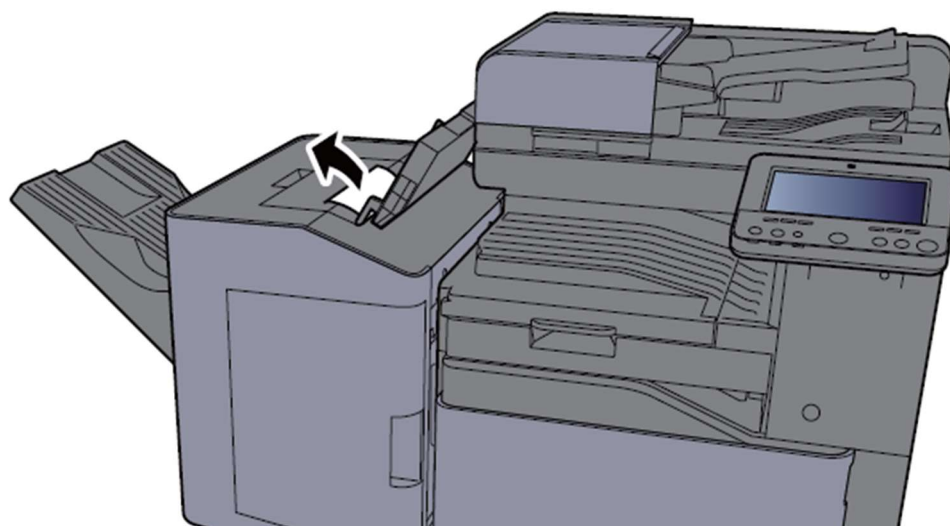
### **2** Open the top cover.



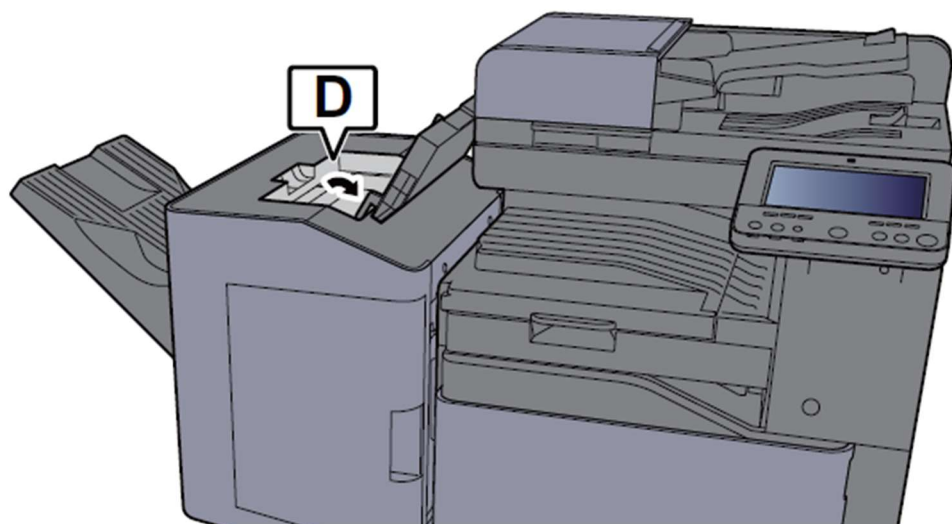
**3 Open Conveyor Guide (D).**



**4 Remove any jammed paper.**



**5 Return Conveyor Guide (D) to the original position.**



**6 Push the top cover.**

