

**ECOSYS PA2100cx  
ECOSYS PA2100cwx  
ECOSYS MA2100cfx  
ECOSYS MA2100cwx**

**Clearing Paper Jams  
Section-C**

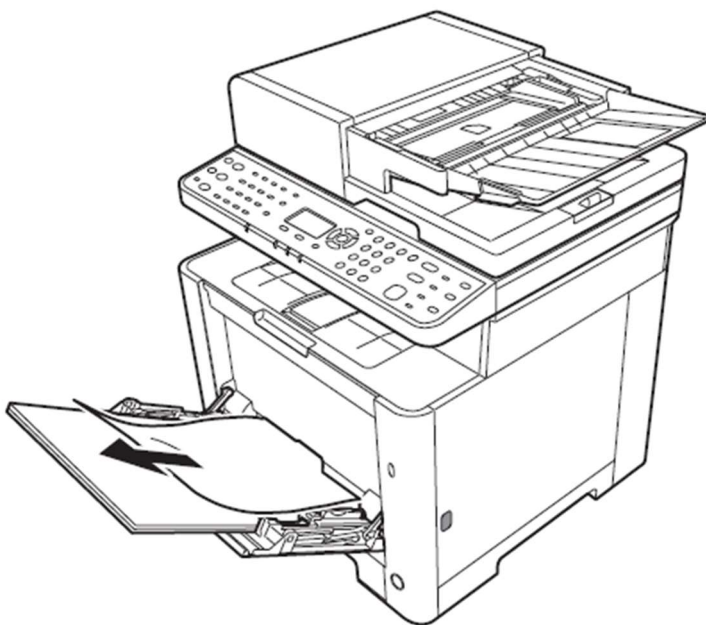
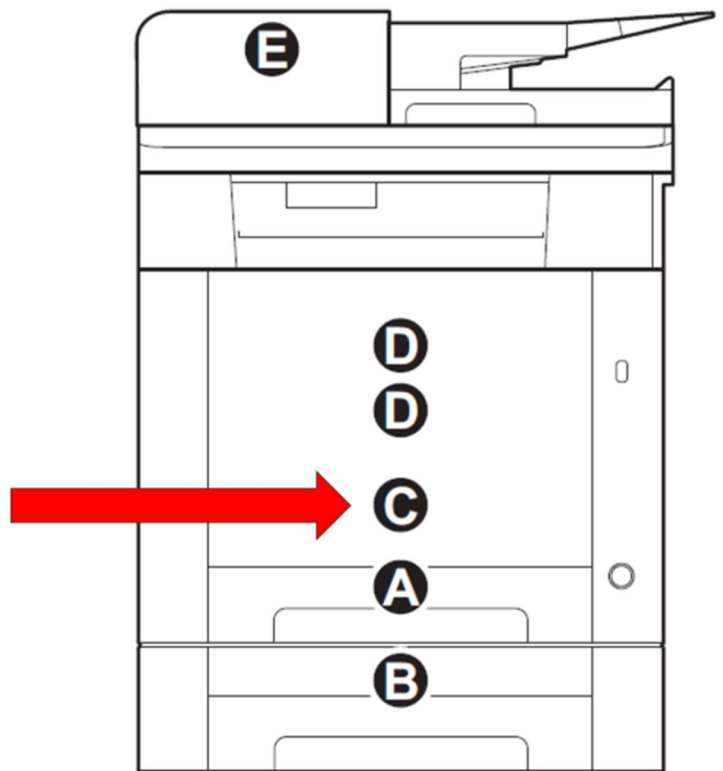


## **Caution:**

**If the paper tears during removal, be sure to remove any loose scraps of paper from inside the Machine.**

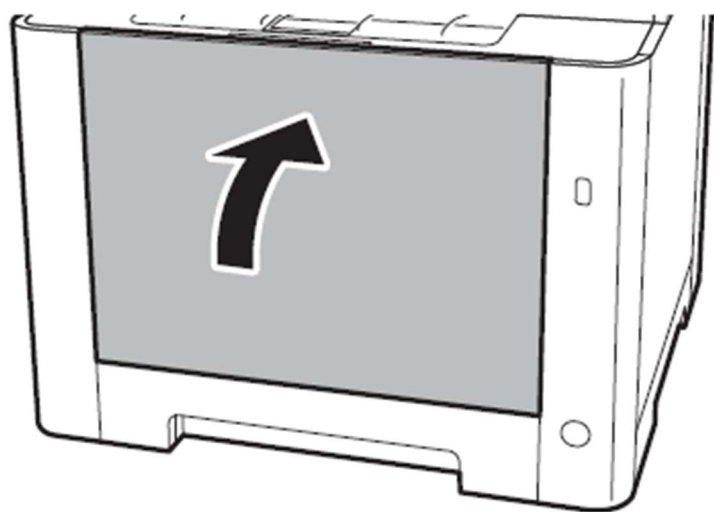
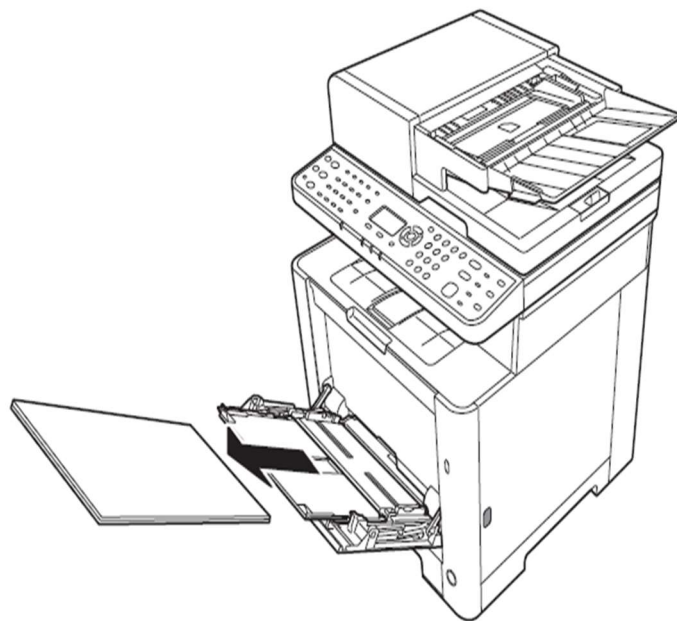
**Scraps of paper left inside the machine could cause subsequent jamming**

If a jam occurs, a jam message will appear on the screen indicating the area of the jammed paper.

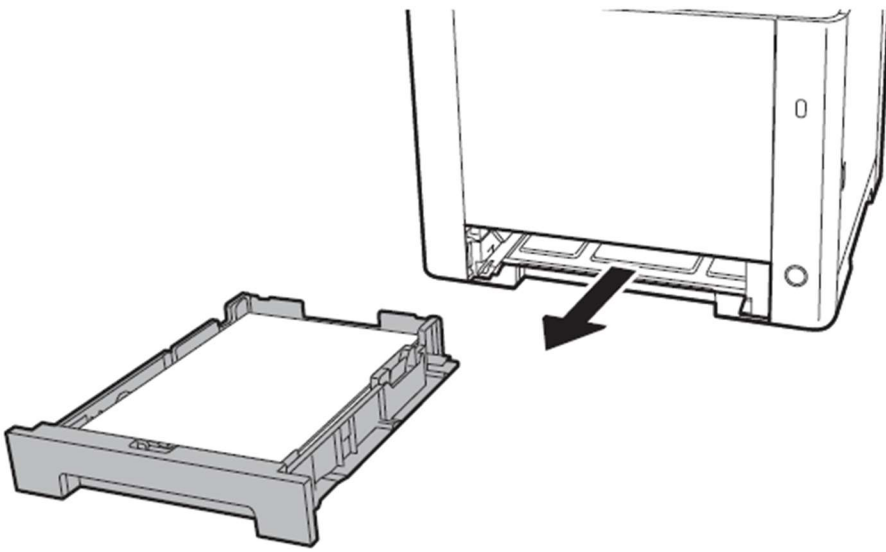


Remove any visible jammed paper from multipurpose tray

Remove all paper from  
multipurpose tray

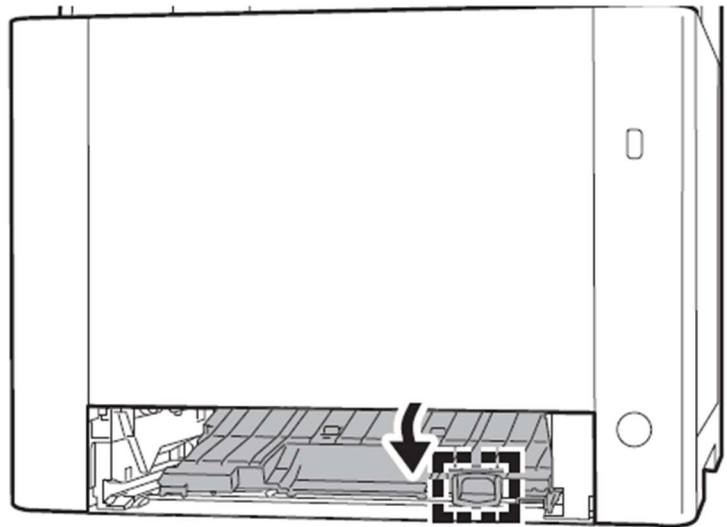


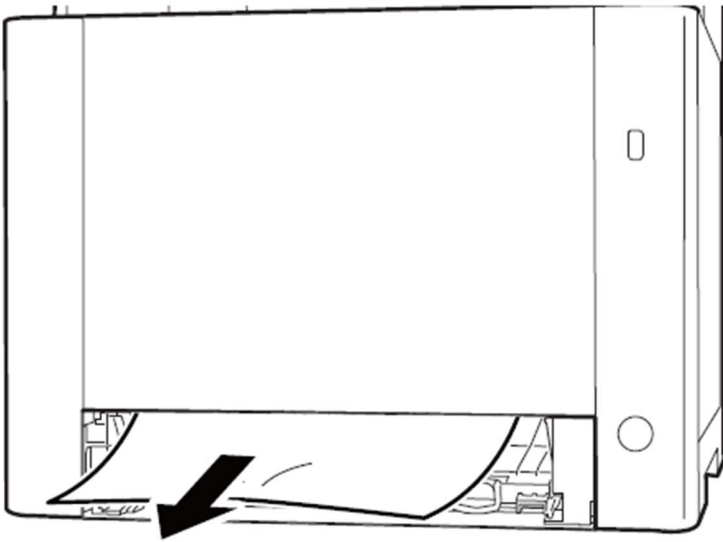
Close the  
multipurpose tray



Remove the  
paper cassette

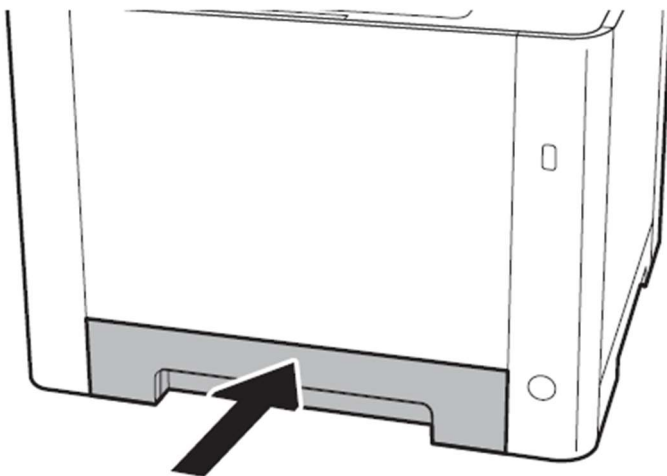
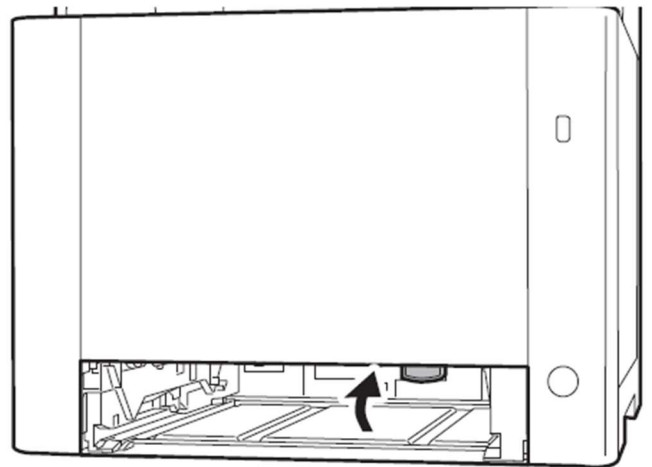
Pull down on  
lever to release  
the paper feed  
guide



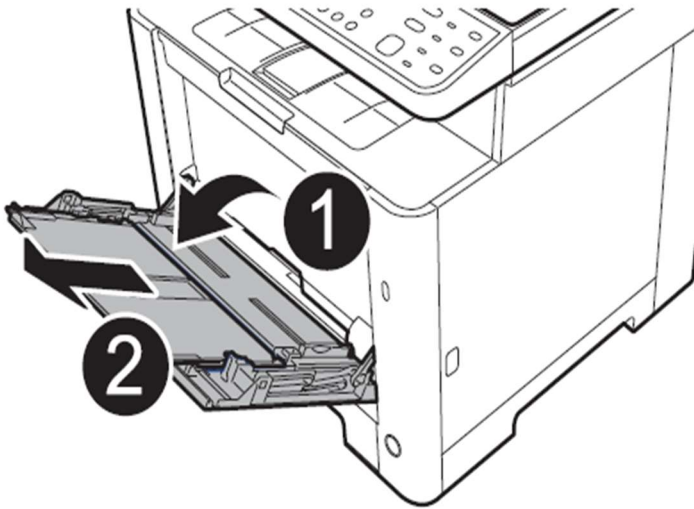


Remove any  
visible jammed  
paper

Return the paper  
feed guide to its  
original position  
by lifting the  
release lever

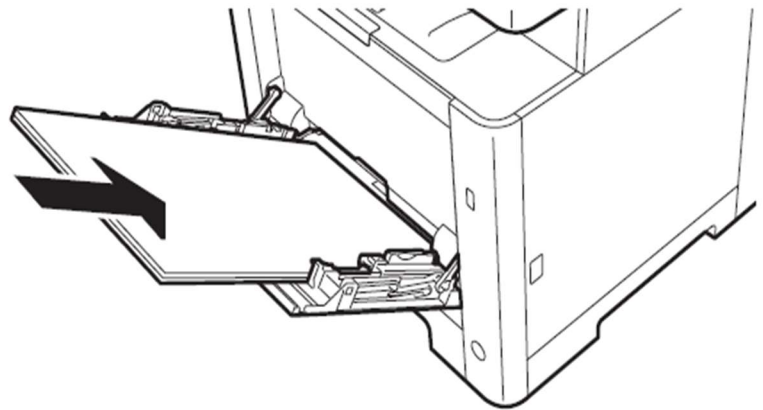


Re-install the  
paper cassette



Open the  
multipurpose tray

Reload paper in  
the multipurpose  
tray to continue



**KYOCERA Document Solutions UK**

**Eldon Court, 75-77 London Road,**

**Reading, RG1 5BS**

Web: [www.kyoceradocumentsolutions.co.uk](http://www.kyoceradocumentsolutions.co.uk)







