

**ECOSYS PA2100cx
ECOSYS PA2100cwx
ECOSYS MA2100cfx
ECOSYS MA2100cwx**

**Clearing Paper Jams
Section-A**

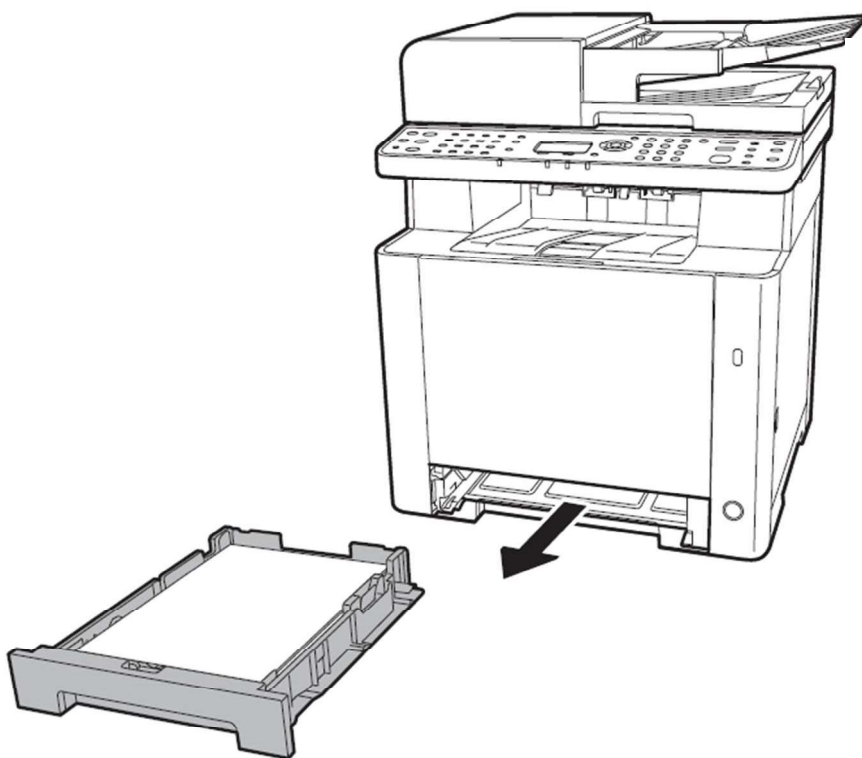
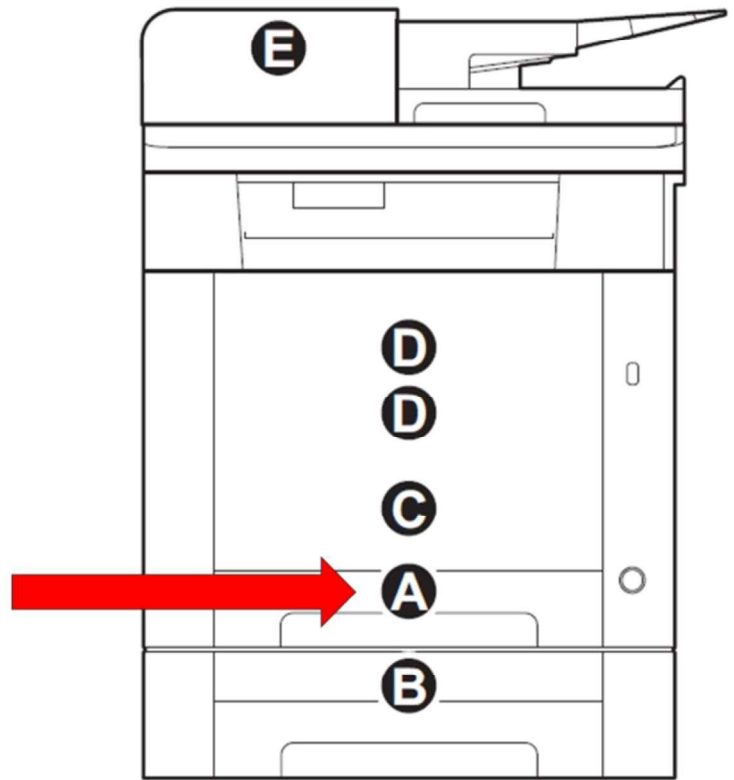


Caution:

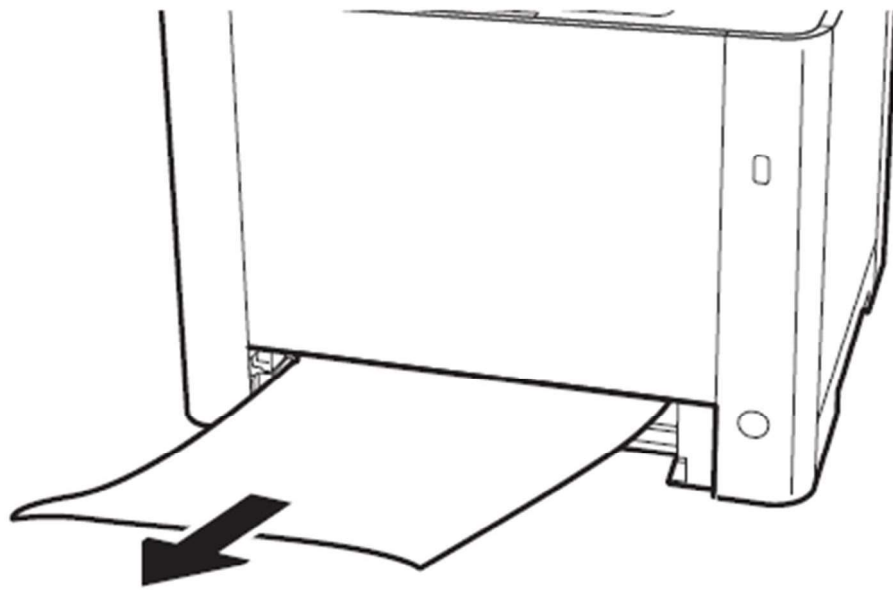
If the paper tears during removal, be sure to remove any loose scraps of paper from inside the Machine.

Scraps of paper left inside the machine could cause subsequent jamming

If a jam occurs, a jam message will appear on the screen indicating the area of the jammed paper.

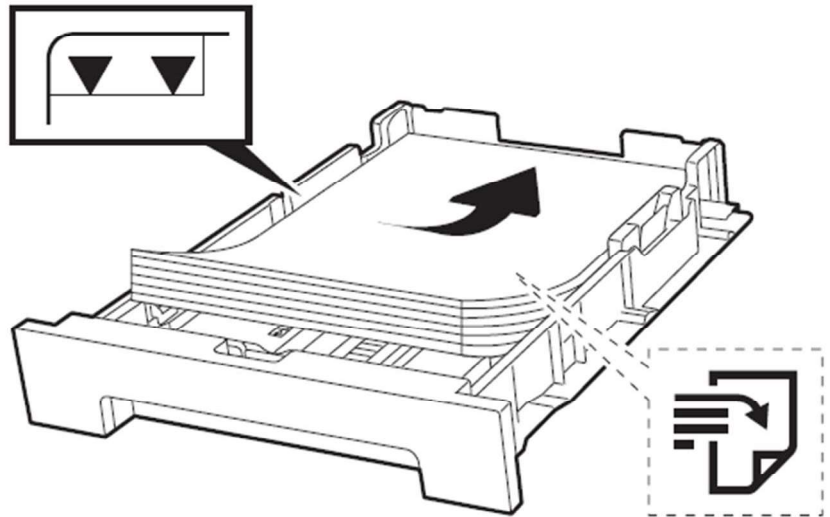


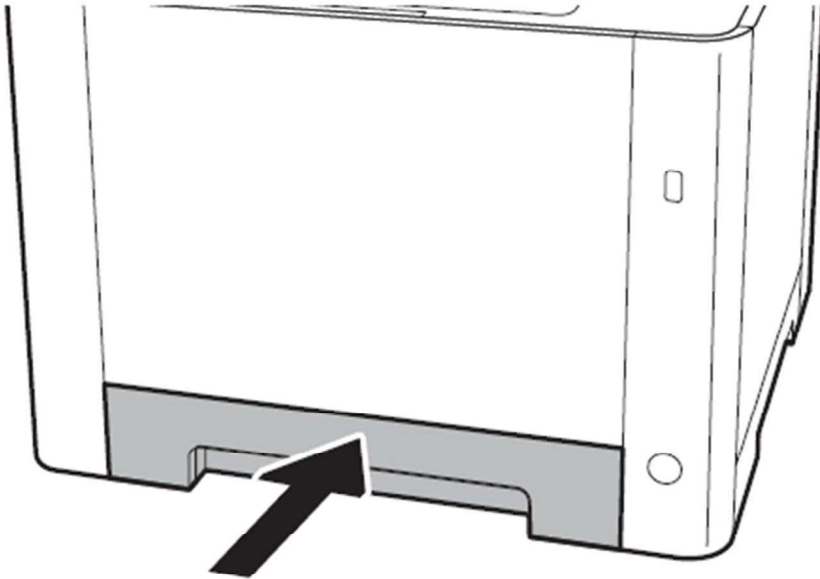
If the machine indicates a jam in section A, remove the paper cassette



Remove any
visible jammed
paper

Reload the paper
in the cassette
checking that it's
not overfilled





Insert paper
cassette back into
the machine to
continue

KYOCERA Document Solutions UK

Eldon Court, 75-77 London Road,

Reading, RG1 5BS

Web: www.kyoceradocumentsolutions.co.uk