

Ecosys MA3500cifax MA4000cifax

Toner Replacement



When toner is empty, the following message will be displayed. Replace the toner container.

"Toner[C][M][Y][K]is empty."

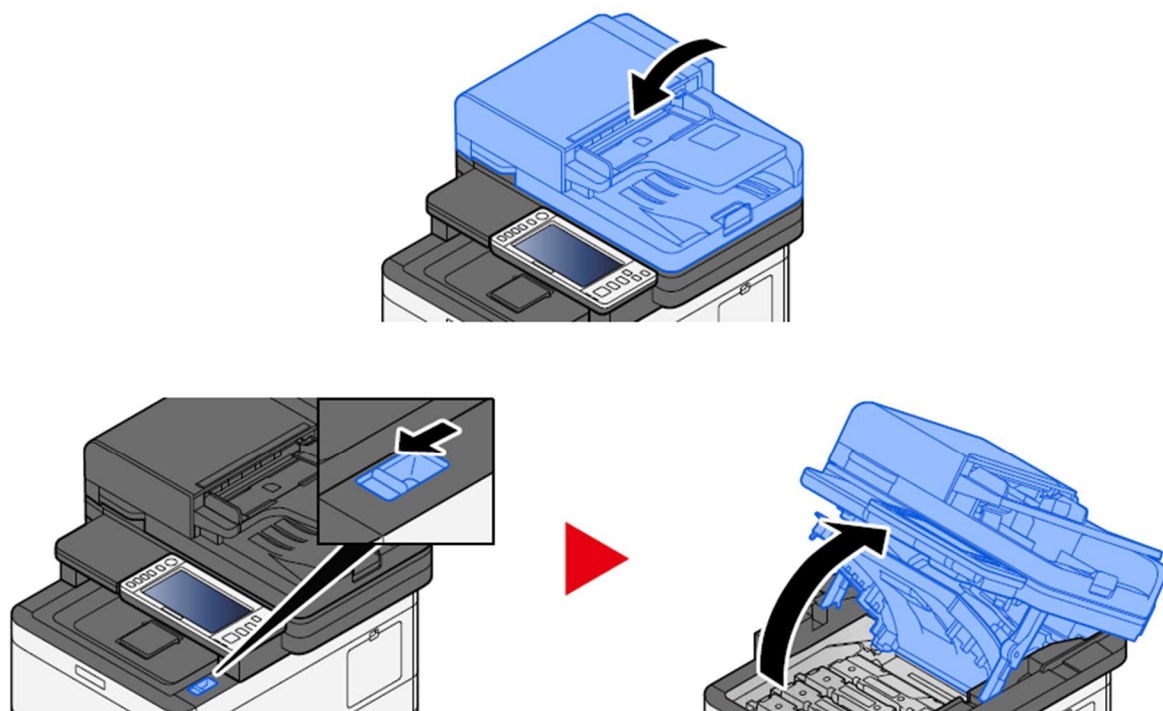
When toner runs low, the following message will be displayed. Make sure you have a new toner container for replacement.

"Toner [C][M][Y][K] is low. (Replace when empty.)"

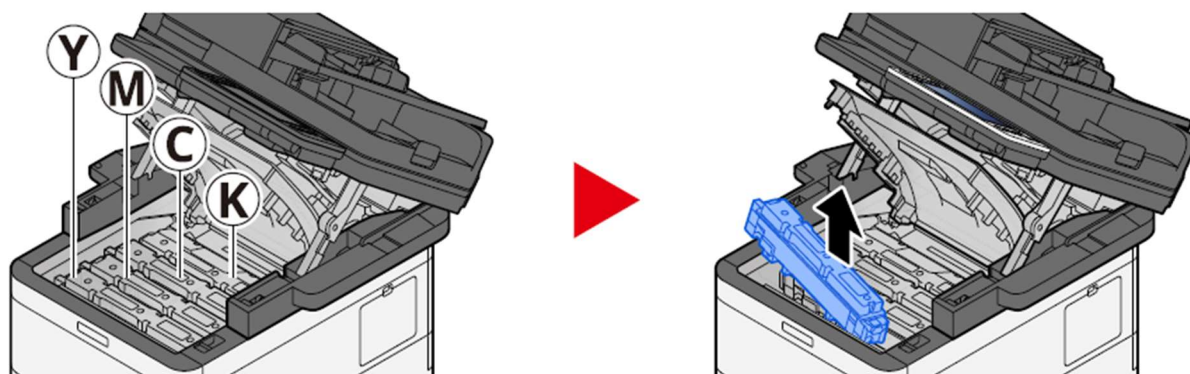
The number of sheets that can be printed with one toner container depends on the print data (how is used). Compliant with JIS X 6932 (ISO/IEC 19798), when the EcoPrint mode is turned [Off], the average number of printable sheets of the toner container is as follows: (When printing with A4.)

Installation procedures of the toner container is same for every color. Here, we'll explain the procedures for the yellow toner container, as an example.

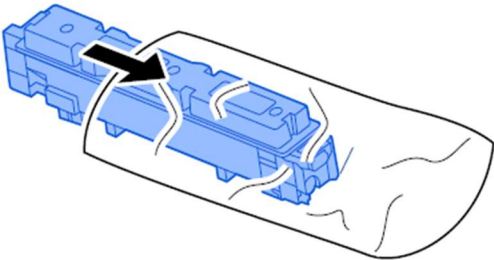
Open the Scanner Unit



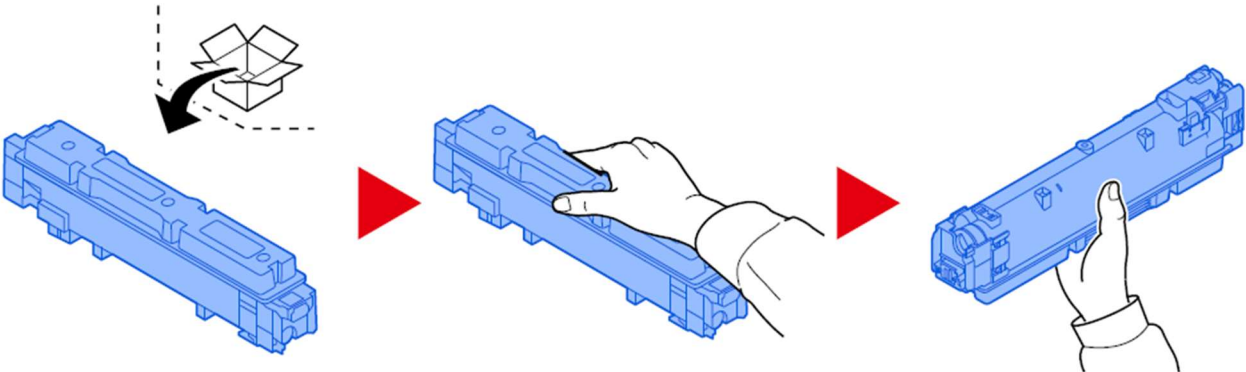
Remove the toner container.



Put used toner container into the plastic waste bag.

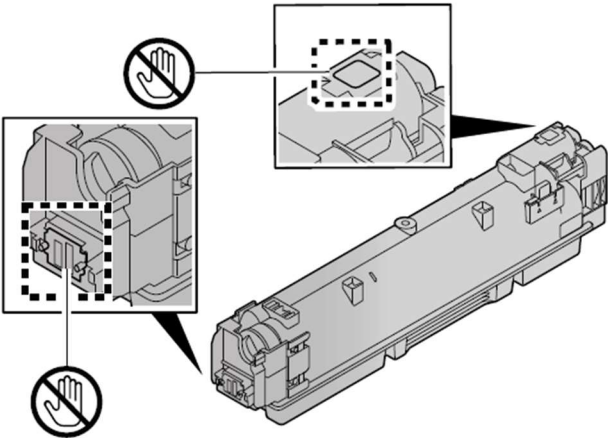


Remove the new toner container from the box.

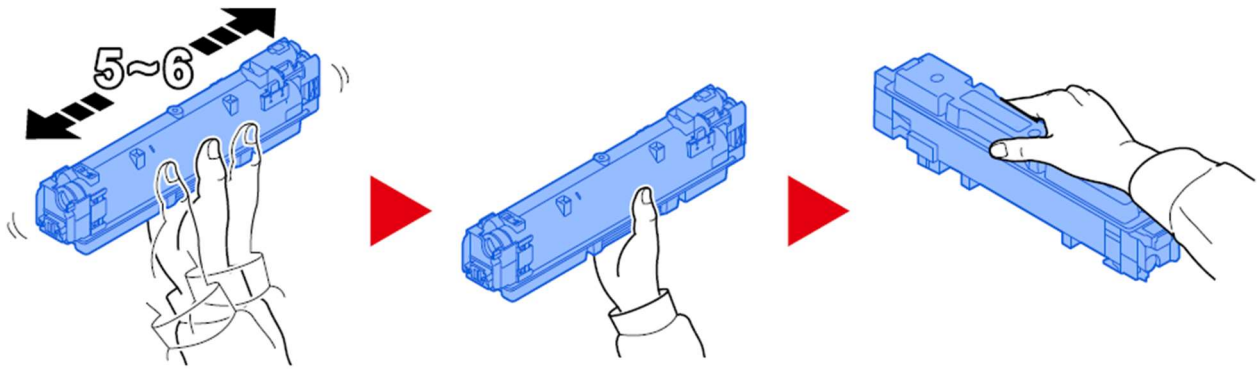


✔ **IMPORTANT**

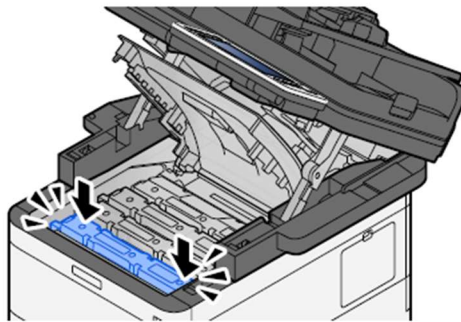
Do not touch the points shown below.



Shake the toner container.



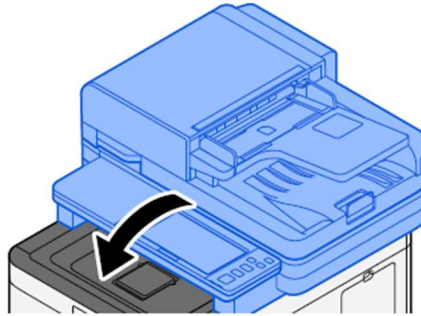
Install the toner container.



 **IMPORTANT**

Insert the toner container all the way.

Close the Scanner Unit



NOTE

- If the Scanner Unit does not close, check that the new toner container is installed correctly.
 - Return the exhausted toner container to your dealer or service representative. The collected toner container will be recycled or disposed in accordance with the relevant regulations.
-

KYOCERA Document Solutions UK

Eldon Court, 75-77 London Road,

Reading, RG1 5BS

Web: www.kyoceradocumentsolutions.co.uk