

# Ecosys MA3500cifix MA4000cifix

## Clearing Jammed Paper Rear Cover 1



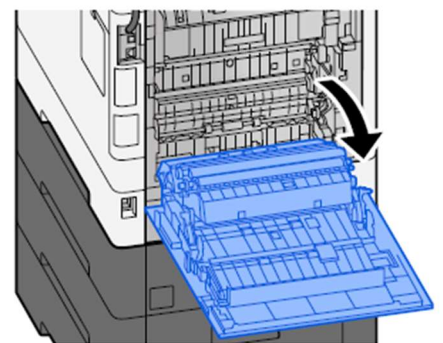
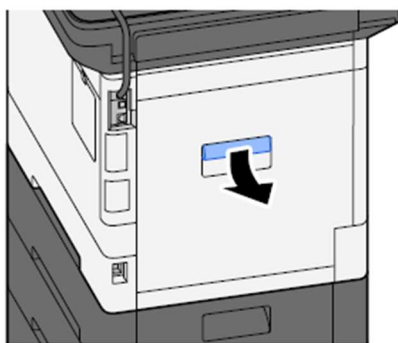
---

### CAUTION

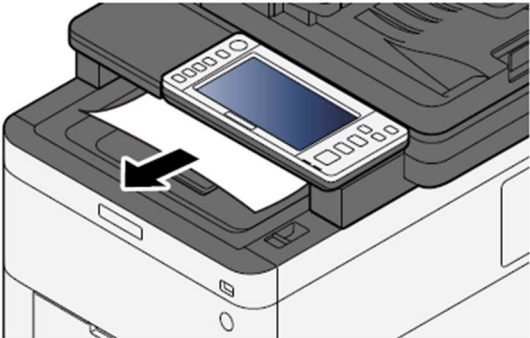
Some parts are very hot inside the machine. Exercise caution as there is a risk of burn injury.

---

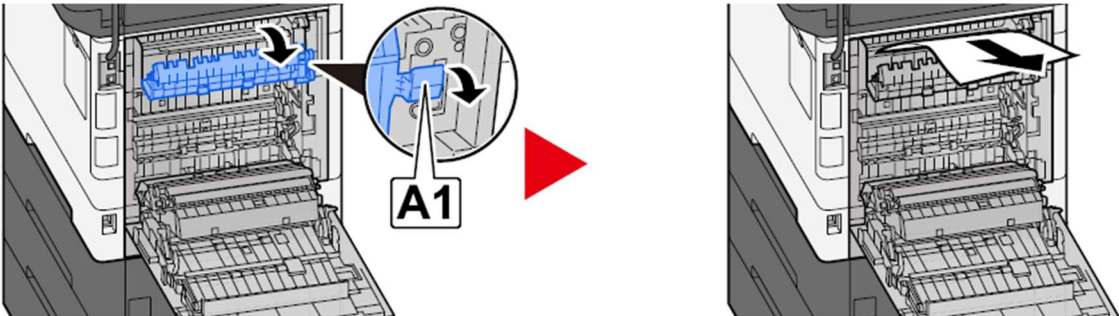
### Open the Rear Cover 1



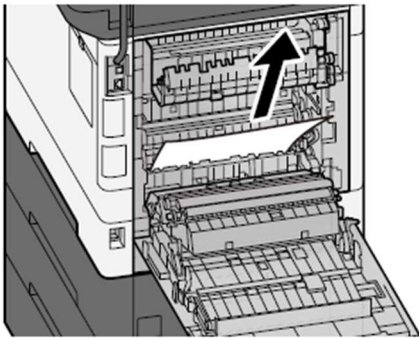
Remove any jammed paper.



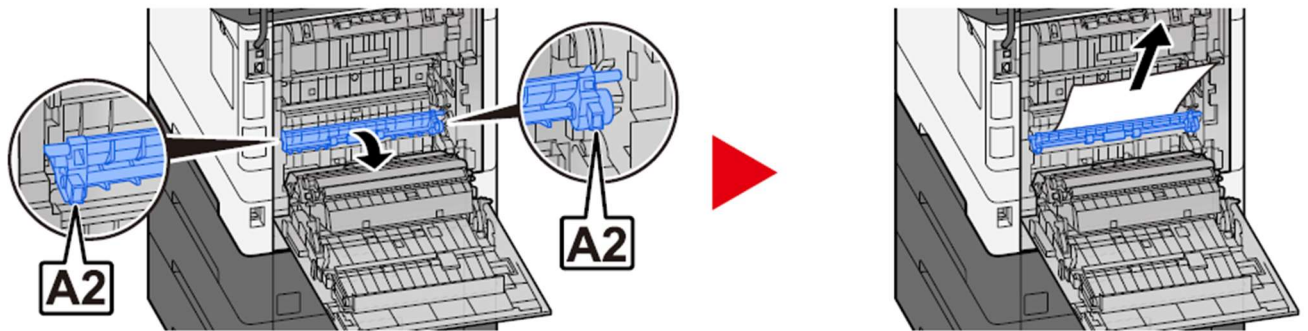
Open cover A1 and remove the jammed paper



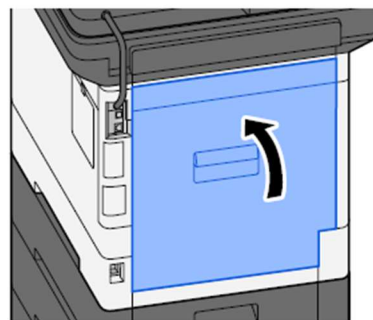
Remove any jammed paper.



**Open cover A2 and remove the jammed paper**



**Return the rear cover 1 to the original position.**



**KYOCERA Document Solutions UK  
Eldon Court, 75-77 London Road,  
Reading, RG1 5BS**

Web: [www.kyoceradocumentsolutions.co.uk](http://www.kyoceradocumentsolutions.co.uk)