

**Ecosys MA3500cifx  
MA4000cifx**

**Clearing Jammed Paper  
Duplex**



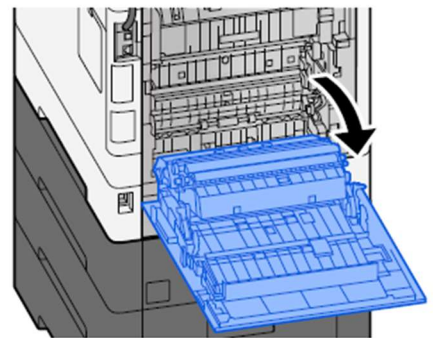
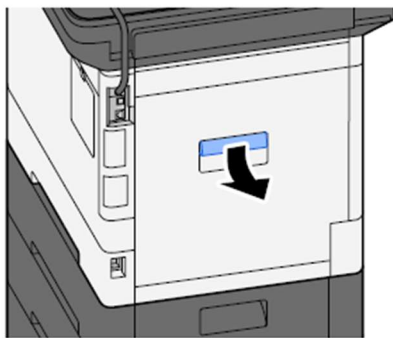
---

**! CAUTION**

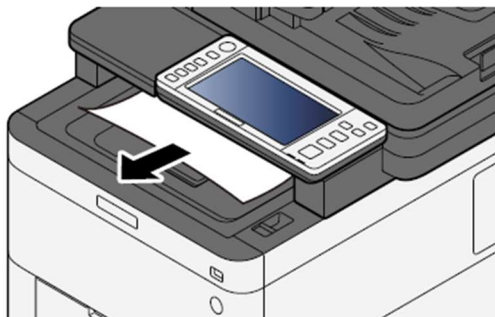
Some parts are very hot inside the machine. Exercise caution as there is a risk of burn injury.

---

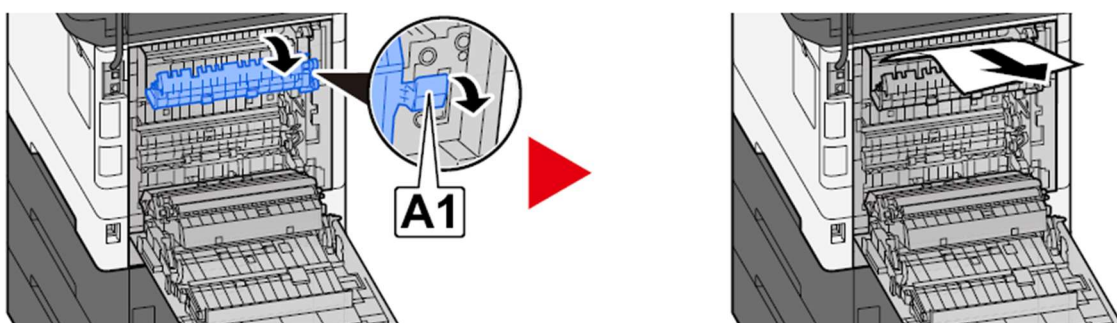
**Open the Rear Cover 1**



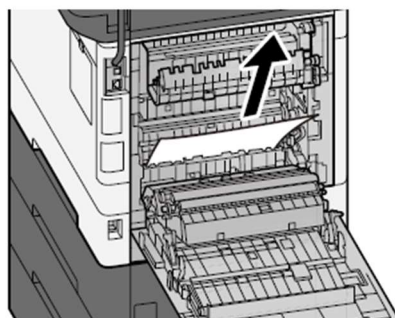
Remove any jammed paper.



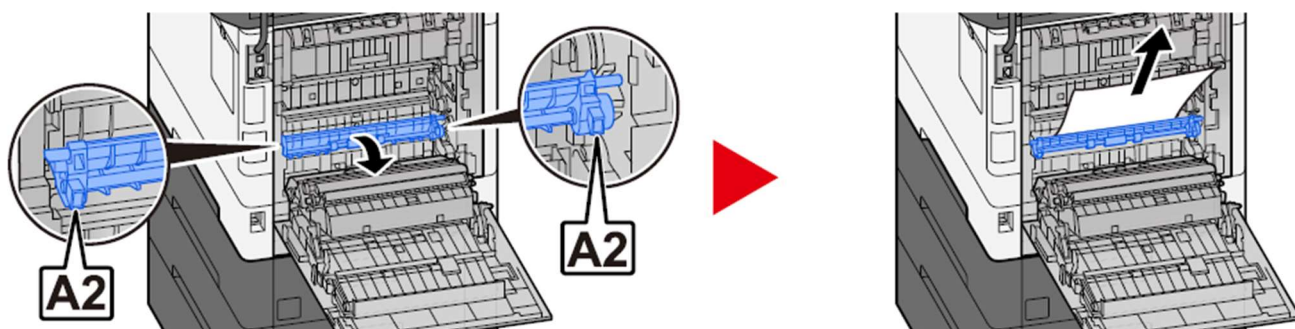
Open cover A1 and remove the jammed paper



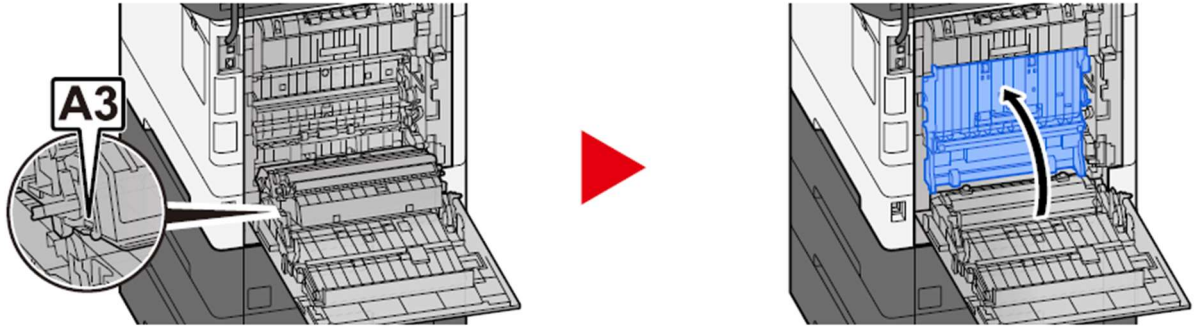
Remove any jammed paper.



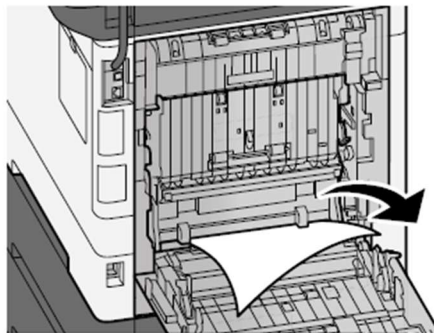
Open cover A2 and remove the jammed paper



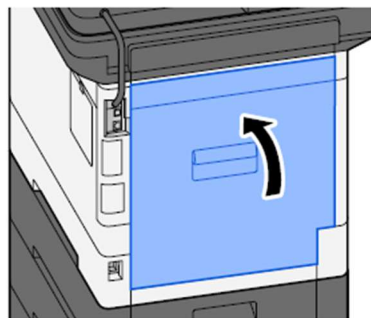
**Return the Unit A3 to the original position**



**Remove any jammed paper.**



**Return the rear cover 1 to the original position.**



**KYOCERA Document Solutions UK  
Eldon Court, 75-77 London Road,  
Reading, RG1 5BS**

**Web: [www.kyoceradocumentsolutions.co.uk](http://www.kyoceradocumentsolutions.co.uk)**